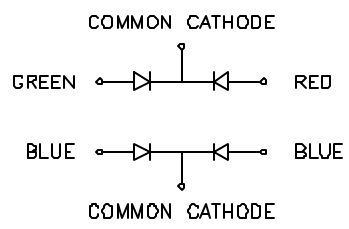
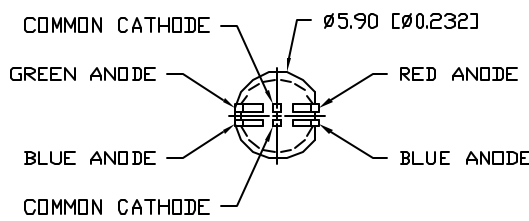
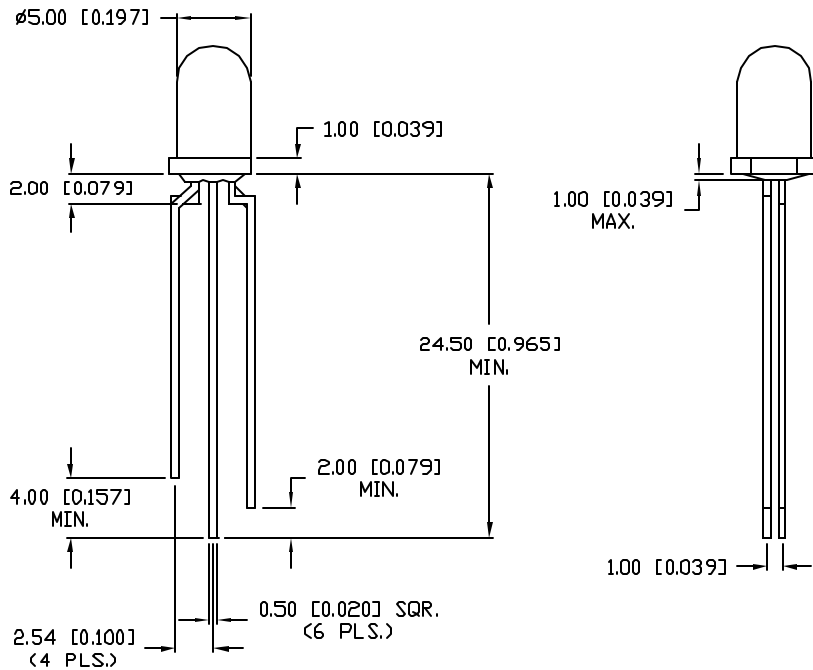


DATE	REVISIONS	REV
6-25-96	E.C.N. #10195./	A
12-10-96	E.C.N. #10282./	B
3-26-98	E.C.N. #10BRDR. & REDRAWN./	C

DRAWING NUMBER	REV
SSL-LX5099IGBBC/A	C

ELECTRO-OPTICAL CHARACTERISTICS $T_A = 25^\circ\text{C}$ $I_f = 20\text{mA}$

PARAMETER	MIN	TYP	MAX	UNITS	TEST COND
PEAK WAVELENGTH		635 (RED)		nm	
		565 (GREEN)		nm	
		430 (BLUE)		nm	
FORWARD VOLTAGE {R}		2.0	2.5	V_f	
	{G}		2.2	V_f	
	{B}		4.5	V_f	
REVERSE VOLTAGE	5.0			V_r	$I_r = 100\mu\text{A}$
AXIAL INTENSITY (R/G/B)		140/70/25		mcd	$I_f = 20\text{mA}$
VIEWING ANGLE		15		$2x$ theta	
EMITTED COLOR:	RED/GREEN/BLUE (MULTI-COLOR)				
EPOXY LENS FINISH:	WATER CLEAR				



LIMITS OF SAFE OPERATION AT 25°C

PARAMETER	COLORS	MAX	UNITS
PEAK FORWARD CURRENT*	(R/G/B)	150/150/200	mA
STEADY CURRENT	(R/G/B)	30/25/30	mA
POWER DISSIPATION		105	mW
DERATE FROM 25°C	(R/G/B)	-1.2/-1.2/-2.0	mW/°C
OPERATING, STORAGE TEMP.		-40 TO +85	°C
SOLDERING TEMP.		+260	°C
2.0mm FROM BODY			3 SEC. MAX

* $t < 10\mu\text{s}$

RELIABILITY NOTE

OUR MANY YEARS OF EXPERIENCE DATA ACCUMULATION INDICATE THAT SOLDER HEAT IS A MAJOR CAUSE OF EARLY AND FUTURE FAILURE. PLEASE PAY ATTENTION TO YOUR SOLDERING PROCESS.



290 E. HELLEN ROAD
PALATINE, ILLINOIS 60087
(847) 359-2790

CONFIDENTIAL INFORMATION
THE INFORMATION CONTAINED IN THIS DOCUMENT IS THE PROPERTY OF LUMEX INCORPORATED. EXCEPT AS SPECIFICALLY AUTHORIZED IN WRITING BY LUMEX INCORPORATED, THE HOLDER OF THIS DOCUMENT SHALL KEEP ALL INFORMATION CONTAINED HEREIN CONFIDENTIAL AND SHALL PROTECT SAME IN WHOLE OR IN PART FROM DISCLOSURE AND DISSEMINATION TO ALL THIRD PARTIES.

DATE: 5-28-96	DWN:	CHK'D:	APPD:
SCALE: N/A			

T-5mm (T-1 3/4) LED, 6 LEAD, MULTI-COLOR RGB,
WATER CLEAR LENS, COMMON CATHODE.

PAGE 1 OF 1	DRAWING NUMBER SSL-LX5099IGBBC/A	REV C
-------------	-------------------------------------	----------

UNLESS OTHERWISE SPECIFIED TOLERANCE IS $\pm .25\text{mm}$ ($\pm 0.010''$)

DU