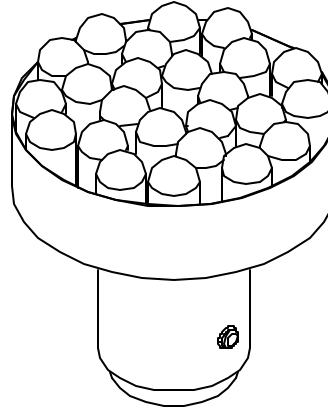
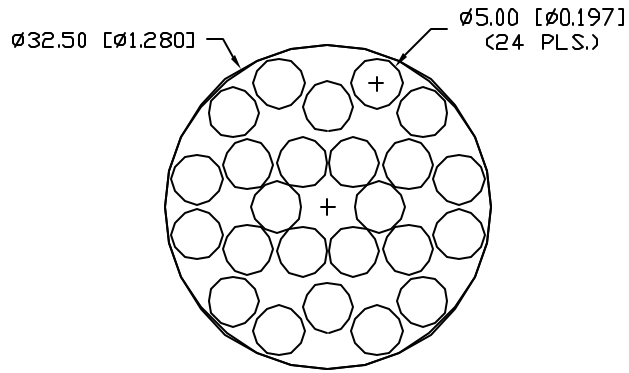


UNCONTROLLED DOCUMENT

PART NUMBER  
SSP-24MDB156U12G

REV.  
C

| REV. | E.C.N. NUMBER AND REVISION COMMENTS | DATE    |
|------|-------------------------------------|---------|
| A    | E.C.N. #10950.                      | 1.30.03 |
| B    | E.C.N. #10993.                      | 5.21.03 |
| C    | E.C.N. #10BRDR & REDRAWN.           | 7.16.04 |



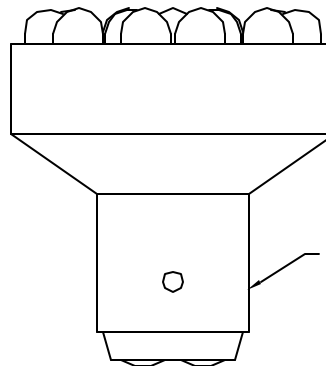
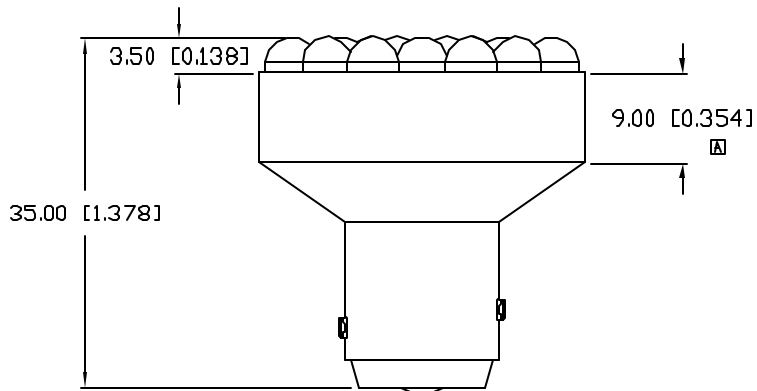
ELECTRO-OPTICAL CHARACTERISTICS  $T_A=25^{\circ}\text{C}$   $V_f=12\text{V}$

| PARAMETER          | MIN         | TYP            | MAX | UNITS      | TEST COND            |
|--------------------|-------------|----------------|-----|------------|----------------------|
| PEAK WAVELENGTH    |             | 626            |     | nm         |                      |
| FORWARD VOLTAGE    |             | 12.0           |     | $V_f$      |                      |
| REVERSE VOLTAGE    | 5.0         |                |     | $V_r$      | $I_r=100\mu\text{A}$ |
| AXIAL INTENSITY*   |             | 102,400/33,800 |     | mcad       | $V_f=12\text{V}$     |
| VIEWING ANGLE      |             | 30             |     | $2x$ theta |                      |
| EMITTED COLOR:     | RED         |                |     |            |                      |
| EPOXY LENS FINISH: | WATER CLEAR |                |     |            |                      |

\* BRAKE/TAI

LIMITS OF SAFE OPERATION AT  $25^{\circ}\text{C}$

| PARAMETER                        | MAX        | UNITS                        |
|----------------------------------|------------|------------------------------|
| PEAK FORWARD VOLTAGE             | 14.0       | V                            |
| STEADY CURRENT                   | 140        | mA                           |
| POWER DISSIPATION                | 1,960      | mW                           |
| DERATE FROM $25^{\circ}\text{C}$ | -1.2       | $\text{mW}/^{\circ}\text{C}$ |
| OPERATING, STORAGE TEMP.         | -40 TO +85 | $^{\circ}\text{C}$           |



SHELL (->)

TAIL LIGHT (+>)

BRAKE LIGHT (+>)

CAUTION: STATIC SENSITIVE DEVICE  
FOLLOW PROPER E.S.D. HANDLING PROCEDURES  
WHEN WORKING WITH THIS PART.

UNCONTROLLED DOCUMENT

\*UNLESS OTHERWISE SPECIFIED TOLERANCES PER DECIMAL PRECISION ARE: X=±1 (±0.039), XX=±0.5 (±0.020), XXX=±0.25 (±0.010), XXXX=±0.127 (±0.005). LEAD SIZE=±0.05 (±0.002), LEAD LENGTH=±0.75 (±0.030). MIN=+DECIMAL PRECISION MAX=+0.00 -DECIMAL PRECISION

REV.

PART NUMBER

C

SSP-24MDB156U12G

CONFIDENTIAL INFORMATION

THE INFORMATION CONTAINED IN THIS DOCUMENT IS THE PROPERTY OF SUNBRITE LEDS. EXCEPT AS SPECIFICALLY AUTHORIZED IN WRITING BY SUNBRITE LEDS, THE HOLDER OF THIS DOCUMENT SHALL KEEP ALL INFORMATION CONTAINED HEREIN CONFIDENTIAL AND SHALL PROTECT SAME IN WHOLE OR IN PART FROM DISCLOSURE AND DISSEMINATION TO ALL THIRD PARTIES.

RELIABILITY NOTE

DUR MANY YEARS OF EXPERIENCE DATA ACCUMULATION INDICATE THAT SOLDER HEAT IS A MAJOR CAUSE OF EARLY AND FUTURE FAILURE. PLEASE PAY ATTENTION TO YOUR SOLDERING PROCESS.



286 E. HELEN ROAD  
PALATINE, IL 60067-6976  
PHONE: +1.847.359.2790  
FAX: +1.847.359.2867  
WEB: www.sunbriteleds.com

DRAWN:

CHECKED:

APPROVED:

DATE: 7.11.01

CT

PAGE: 1 OF 1

1.28" CIRCULAR, 24 LAMP POLYLED,  
626nm AlInGaP RED CHIPS, WATER CLEAR LENS,  
1157 BASE, DOUBLE CONTACT AUTO BAYONET.