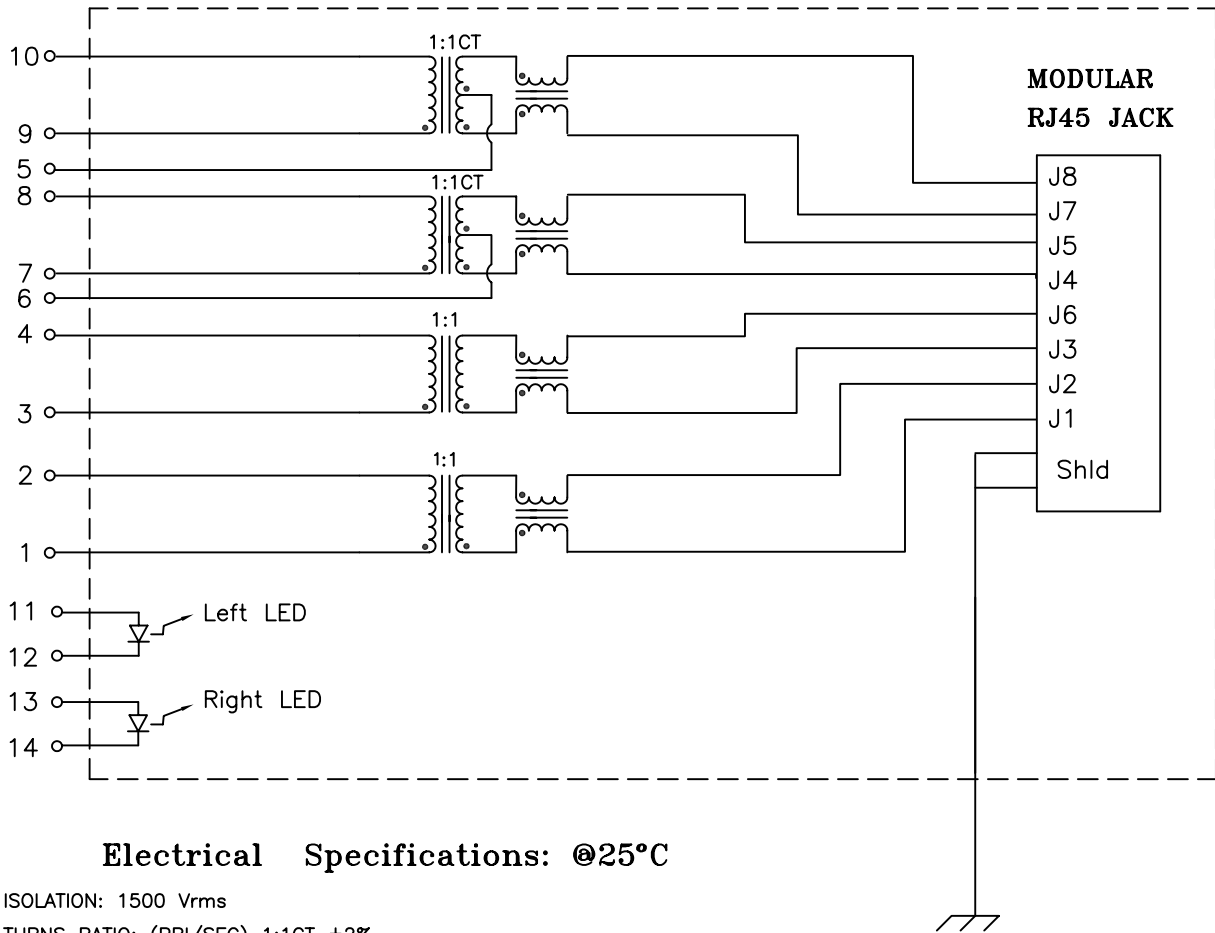


# Schematic: (SINGLE PORT)



## Electrical Specifications: @25°C

- ISOLATION: 1500 Vrms
- URNS RATIO: (PRI/SEC) 1:1CT ±2%
- OCL: 350uH MIN @100KHz 100mV 8mADC
- DCR: P5-J7 and P5-J8 mismatch, 3% Max
- DCR: P6-J4 and P6-J5 mismatch, 3% Max
- Rise Time: 1.75ns Max.
- INSERTION LOSS: -1.0dB MAX @1MHz-100MHz
- RETURN LOSS:
  - 18dB Min @1-30MHz      -18dB Min @30-40MHz
  - 16dB Min @40-50MHz    -12dB Min @50-100MHz
- Common Mode Rejection:
  - 43dB Min @1-30MHz    -37dB Min @30-60MHz
  - 33dB Min @60-125MHz
- Crosstalk: -45dB Min @0.3-30MHz
  - 43dB Min @30-60MHz    -42dB Min @60-100MHz
- Balanced DC Line Current: 600mA Max @57Vdc continuous Pins 5 + 6
- 750mA Max @57Vdc for 200milliseconds Pins 5 + 6

**Notes:**

1. Solderability: Leads shall meet MIL-STD-202G, Method 208H for solderability.
2. Flammability: UL94V-0
3. ASTM oxygen index: > 28%
4. Insulation System: Class F 155°C. UL file E151556
5. Operating Temperature Range: All listed parameters are to be within tolerance from -40°C to +85°C
6. Storage Temperature Range: -55°C to +125°C
7. Aqueous wash compatible
8. Electrical and mechanical specifications 100% tested
9. RoHS Compliant Component
10. Contact Plating: 30uInches of Gold

**Complete the Combo P/N as follows:**

Replace 'x' & 'u' in the part number with one of the LED color letters:

Y=Yellow                      'x' = Left LED Color  
 G=Green                      'u' = Right LED Color  
 A=Amber  
 R=Red  
 C=Green(1)/Amber(2) Bicolor  
 D=Amber(1)/Green(2) Bicolor  
 M=Green(1)/Yellow(2) Bicolor  
 N=Yellow(1)/Green(2) Bicolor  
 P=Red(1)/Green(2) Bicolor  
 Q=Green(1)/Red(2) Bicolor  
 E=Red(1)/Yellow(2) Bicolor  
 F=Yellow(1)/Red(2) Bicolor  
 H=Amber(1)/Yellow(2) Bicolor  
 J=Green(1)/Green(2) Bicolor

Single Color LED: Bi-Color LED:

DOC REV.: A/1

**XFMRs Inc.**  
www.XFMRs.com

Title: SINGLE PORT COMBO

UNLESS OTHERWISE SPECIFIED

P/N: XFGIB100APOL-CLxu1-2MS

REV. A

TOLERANCES:  
.xxx ±0.010

DWN.	Juan Mao	Jan-26-09
CHK.	YK Liao	Jan-26-09
APP.	BW	Jan-26-09

Jan-26-09

Dimensions in Inch

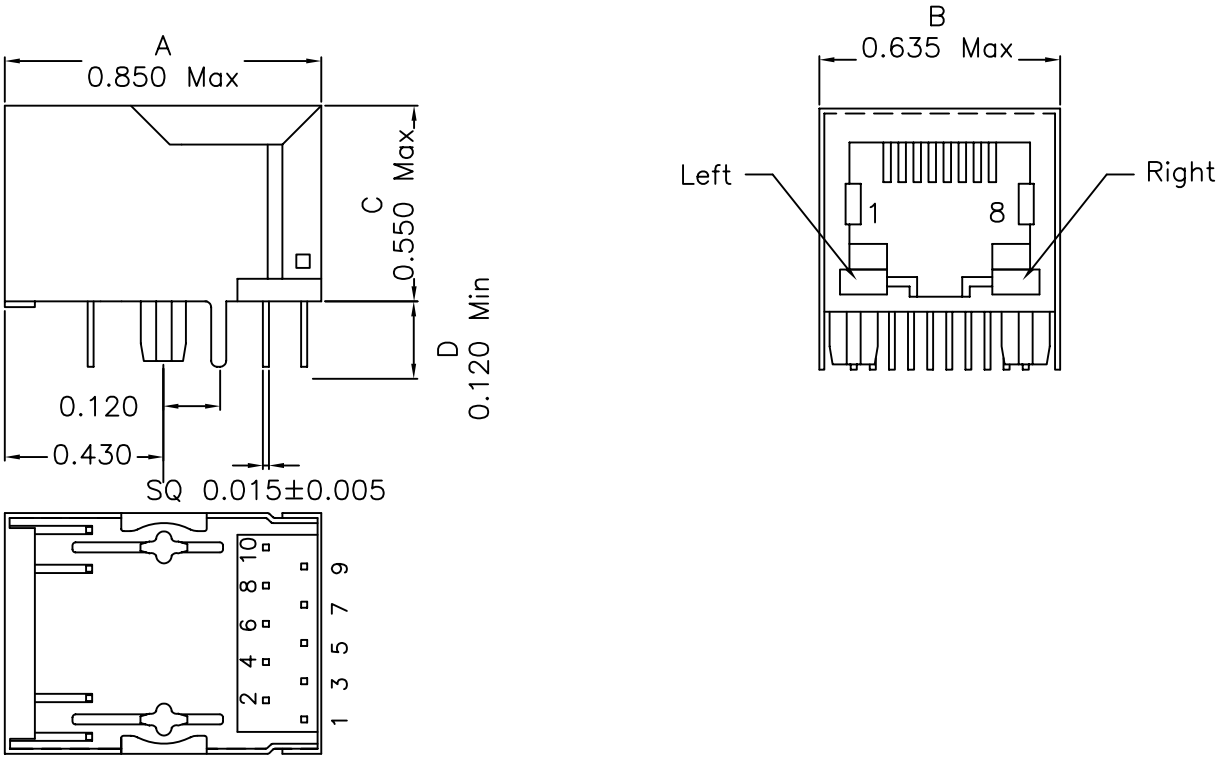
SHEET 1 OF 2

**PROPRIETARY:**

Document is the property of XFMRs Group & is not allowed to be duplicated without authorization.

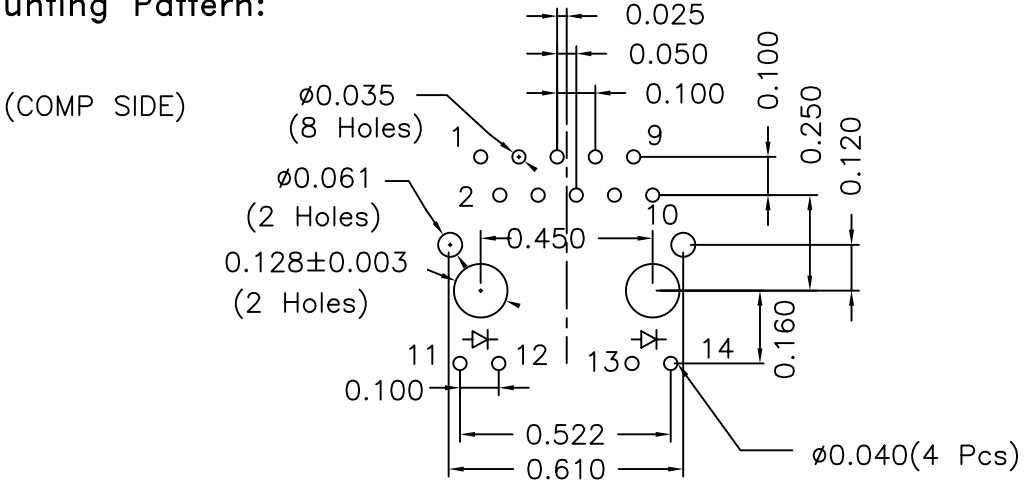
# Mechanical Dimensions:

XFMRS   
 XFGIB100APOL-  
 CLxu1-2MS  
 YYWW



(BOTTOM VIEW)

## Mounting Pattern:



DOC REV: A/1

<b>XFMRS Inc.</b>	Title: Mechanical Dimensions For CLxu1-4MS Series		
	UNLESS OTHERWISE SPECIFIED TOLERANCES: .xxx ±0.010 Dimensions in Inch	P/N: XFGIB100APOL-CLxu1-2MS	REV. A
	DWN.	Juan Mao	Jan-26-09
	CHK.	YK Liao	Jan-26-09
SHEET 2 OF 2	APP.	BW	Jan-26-09

**PROPRIETARY:**

Document is the property of XFMRS Group & is not allowed to be duplicated without authorization.