

# New Jersey Semi-Conductor Products, Inc.

20 STERN AVE.  
 SPRINGFIELD, NEW JERSEY 07081  
 U.S.A.

TELEPHONE: (973) 376-2922  
 (212) 227-6005  
 FAX: (973) 376-8960

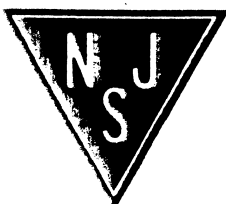
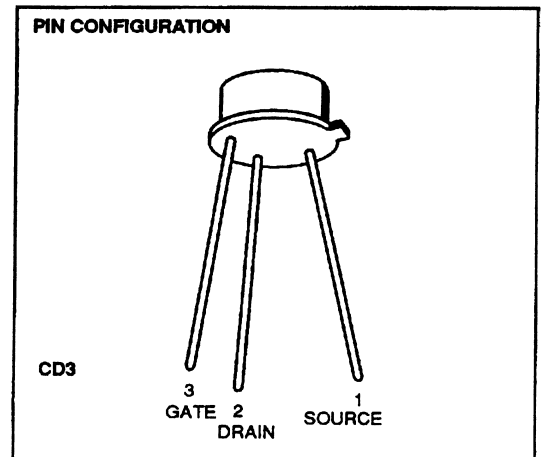
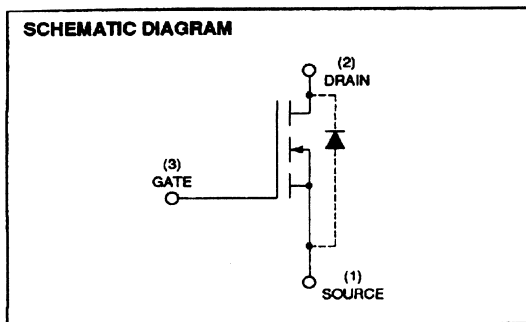
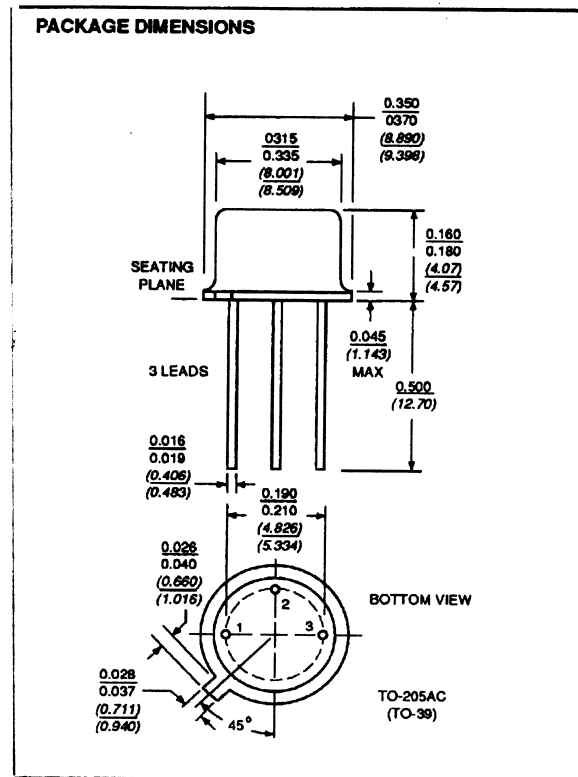
## PARAMETERS

2N6796

## N-CHANNEL ENHANCEMENT MOSFET

### Description: N-Channel Enhancement MOSFET

Manufacturer.....	many
Mil/High-Rel? (Y/N).....	
Vbr DSS.....	100
Id Max. (A).....	8.0
Max. PD (W).....	25
Derate (Amb) (W/°C).....	.20
R(ds) On (Ω).....	180mΩ
gfs Min.....	3.0
gfs Max.....	9.0
I(d) for G(fs).....	5.0
Vp Max.....	4.0
Ciss Max. (F).....	900p
Idss Max. (A).....	1.0m
Tr Max. (s).....	75n
t(f) Max. (S).....	45n
Vbr GSS.....	20
Oper. Temp (°C) Max.....	150j
td(on) Max (S).....	
t(stor) Max. (S).....	
Pkg Style.....	TO-205AF
Surface Mounted (Y/N).....	N
Pinout Equivalence Number.....	3-19



NJ Semi-Conductors reserves the right to change test conditions, parameter limits and package dimensions without notice. Information furnished by NJ Semi-Conductors is believed to be both accurate and reliable at the time of going to press. However NJ Semi-Conductors assumes no responsibility for any errors or omissions discovered in its use. NJ Semi-Conductors encourages customers to verify that datasheets are current before placing orders.