



TDP SERIES

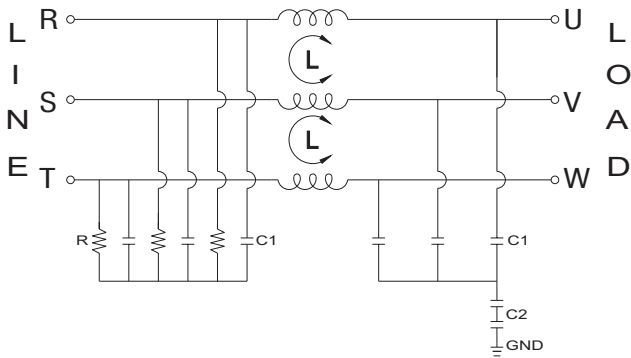
HIGH PERFORMANCE 3-PHASE 3-WIRE PLASTIC CASE FILTERS



COMPONENTS

PART NO.	L (mH)	Cx (uF)	Cy (uF)	R (MΩ)
04TDPS6/(D)	40.0	0.22	0.068	1.0
06TDPS6/(D)	23.0			
10TDPS6/(D)	10.0			
16TDPS6/(D)	4.3			
20TDPS6/(D)	2.5			
30TDPS6/(D)	1.2			
10TDPS6E/(D)	46.3			
16TDPS6E/(D)	25.3	0.22	0.068	1.0
20TDPS6E/(D)	14.8			
30TDPS6E/(D)	7.1			

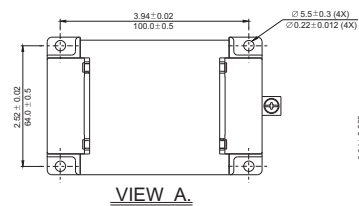
ELECTRICAL SCHEMATIC



MECHANICAL CONSTRUCTION

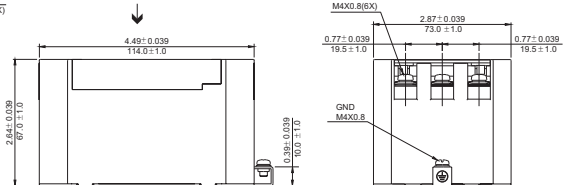


TDPS6, TDPS6E

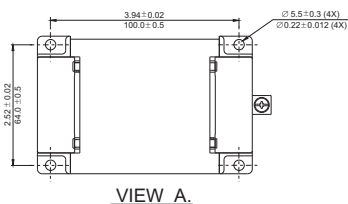


VIEW A.

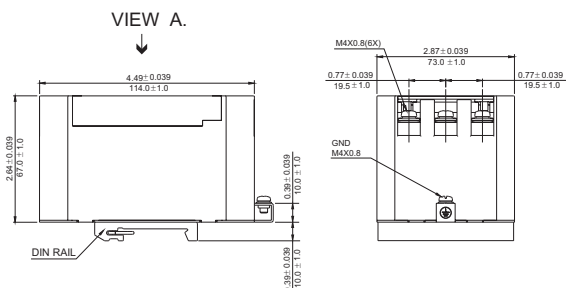
VIEW A.



VIEW A.



VIEW A.



TDPS6(D), TDPS6E(D)

INTRODUCTIONS

1. Mainly industrial equipment, machinery, machine tools, robot arm controller and diverse process automation system.
2. Wide range of Y capacitance from 0 ~ 0.68uF for option.
3. Competitive design and easily connected with system.
4. Captive hinged protect cover.
5. Low leakage current models for option type for option.
6. Compacted size and DIN-rail installation.
7. RoHS compliant.

MINIMUM INSERTION LOSS IN dB

COMMONMODE(L-G)IN50OHMSYSTEM							
TYPE	CURRENT RATING	FREQUENCY -MHz					
		.15	.50	1.0	5.0	10	30
04TDPS6/(D)	04A	50	50	60	45	30	10
06TDPS6/(D)	06A	40	40	40	40	35	5
10TDPS6/(D)	10A	35	40	40	30	20	5
16TDPS6/(D)	16A	25	35	40	40	25	10
20TDPS6/(D)	20A	20	35	35	35	25	5
30TDPS6/(D)	30A	18	30	35	40	25	10
10TDPS6E/(D)	10A	35	40	40	40	25	10
16TDPS6E/(D)	16A	30	40	45	40	25	10
20TDPS6E/(D)	20A	28	35	40	40	35	10
30TDPS6E/(D)	30A	20	35	40	40	30	10
DIFFERENTIALMODE(L-L)IN50OHMSYSTEM							
04TDPS6/(D)	04A	50	50	50	55	50	20
06TDPS6/(D)	06A	55	50	50	55	55	15
10TDPS6/(D)	10A	50	50	45	40	35	20
16TDPS6/(D)	16A	40	50	50	45	45	25
20TDPS6/(D)	20A	25	25	30	45	45	15
30TDPS6/(D)	30A	30	40	40	45	40	20
10TDPS6E/(D)	10A	45	45	60	50	50	20
16TDPS6E/(D)	16A	40	45	55	50	45	20
20TDPS6E/(D)	20A	40	55	60	55	50	20
30TDPS6E/(D)	30A	30	45	50	45	45	30