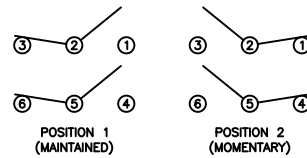


**SCHEMATIC**



**SPECIFICATIONS**

**FUNCTION:**  
2P2T ON-(ON)

**RATINGS:**  
ANSI/UL 1054, CN/CSA 22.2 No. 55 (E194579):  
20A 125VAC 50/60Hz [cURus]  
20A 250VAC 50/60Hz [cURus]  
2HP 125/250VAC 50/60Hz [cURus]

EN 61058-1:2002 (50153550):  
18(10)A 250V~ 50Hz 5E4 T85/55 [TUV]

**CONTACT RESISTANCE:**  
Initial: 50mΩ Max.

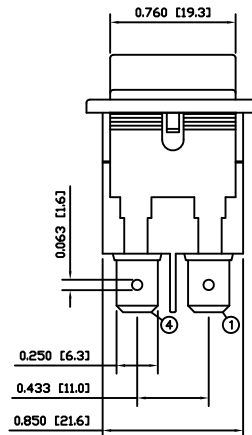
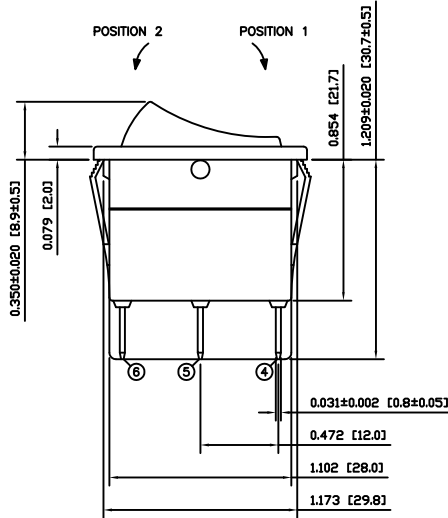
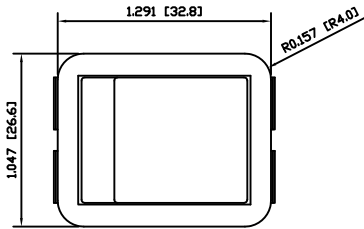
**INSULATION RESISTANCE:**  
500MΩ Min. at 500VDC

**DIELECTRIC STRENGTH:**  
1,500VAC For 1 Minute

**TEMPERATURE:**  
Operating: -20°C to 65°C [cURus]  
Operating: -20°C to 85°C [TUV]

**INGRESS PROTECTION:**  
IP55

**APPROVALS:**



**COLORS AND MARKINGS**

**BODY:**  
Black

**ACTUATOR:**  
Black

**MOUNTING EARS:**  
White

**MARKINGS:**  
None

**MARKING COLOR:**  
None

**MATERIALS**

**BODY:**  
Polyamide 6/6 (PA66), UL94 V-0

**ACTUATOR:**  
Polyamide 6/6 (PA66), UL94 V-2

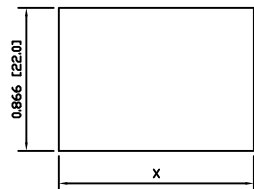
**MOUNTING EARS:**  
Polyamide 6/6 (PA66), UL94 V-2

**CONTACTS:**  
Silver Alloy

**TERMINALS:**  
Silver Plated Copper

**RUBBER SEAL:**  
Ethylene Propylene Thermoplastic Rubber (EPTR)

**SUGGESTED PANEL CUTOUT**



ACTUATOR	A	09/07/21	CAB
BODY	A	09/07/21	CAB
COLORS	A	09/07/21	CAB
MATERIALS	B	10/12/10	CAB
SPECIFICATIONS	A	09/07/21	CAB
REFERENCE	REV.	DATE	

THE INFORMATION CONTAINED IN THIS DOCUMENT IS PROPRIETARY TO E-SWITCH AND IS NOT TO BE COPIED OR TRANSFERRED

B	CORRECTED TERMINAL PLATING TO SILVER	19461	10/12/10	CAB
A	INITIAL RELEASE	18833	10/02/18	CAB
REV.	DESCRIPTION	PCR	DATE	DRAWN BY

DIMENSIONS	
INCHES [MILLIMETERS]	
GENERAL TOLERANCES	
±0.008 [±0.2] / ±1'	
SCALE	PROJECTION
DRAWING NOT TO SCALE	

<b>WB24HD1100</b>			
ITEM NUMBER	DATE	REVISION	
34-WB24HD1100	DECEMBER 10, 2010	B	