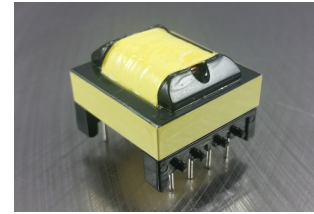




EF25 TRANSFORMER

AEF25-4411



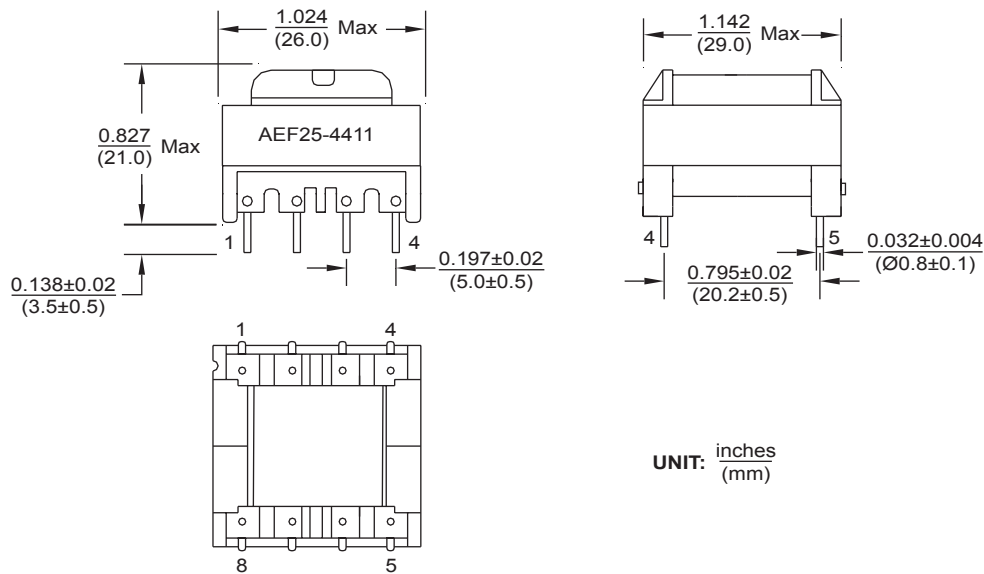
- EF25 Core design
- 8 pin, Through hole, horizontal mount package
- Extended operating temp: -40°C to +125°C

Electrical Specifications @25°C

Turns Ratio (@15.75KHz, 1.0V)		Inductance (@10KHz, 0.25V)	Leakage Inductance (@10KHz, 0.25V)	DC Resistance			Hi-Pot 1Sec, 5mA	
(1 - 2) : (2 - 3)	(1 - 2) : (4 - 5)	(1 - 3)	(1 - 3) Short pins (2, 3, 4, and 5)	(1 - 2)	(2 - 3)	(4 - 5)	N1, N2 - N3	N - Core
1.143±5%	2.105±5%	317µH ±10%	10µH MAX	0.3Ω Max	0.1Ω Max	2.2mΩ Max	1.5KVAC	1.0KVAC

All specifications subject to change without notice.

MECHANICAL



UNIT: inches (mm)

Bottom View

SCHEMATICS

