



# C4P-SA04510A00, C4P-EA04510A00

deTec4 Prime

**SAFETY LIGHT CURTAINS**

**SICK**  
Sensor Intelligence.



### Ordering information

System part	Type	Part no.
Sender	C4P-SA04510A00	1215276
Receiver	C4P-EA04510A00	1215277

Other models and accessories → [www.sick.com/deTec4\\_Prime](http://www.sick.com/deTec4_Prime)



### Detailed technical data

#### Features

<b>System part</b>	Receiver without accessories / Sender without accessories (depending on type)				
<b>Resolution</b>	14 mm				
<b>Protective field height</b>	450 mm				
<b>Scanning range</b>	<table border="0"> <tr> <td>Minimum</td> <td>0.15 m ... 16 m</td> </tr> <tr> <td>Typical</td> <td>0.15 m ... 20 m</td> </tr> </table>	Minimum	0.15 m ... 16 m	Typical	0.15 m ... 20 m
Minimum	0.15 m ... 16 m				
Typical	0.15 m ... 20 m				
<b>Response time</b>	12 ms <sup>1)</sup>				
<b>No blind zones</b>	✓				
<b>Synchronization</b>	Optical synchronisation				

<sup>1)</sup> , without beam coding, no cascaded systems. Other response times see operating instructions.

#### Safety-related parameters

<b>Type</b>	Type 4 (IEC 61496)						
<b>Safety integrity level</b>	SIL3 (IEC 61508) SILCL3 (EN 62061)						
<b>Category</b>	Category 4 (EN ISO 13849)						
<b>Performance level</b>	PL e (EN ISO 13849)						
<b>PFH<sub>D</sub> (mean probability of a dangerous failure per hour)</b>	<table border="0"> <tr> <td>Single device</td> <td>9.6 x 10<sup>-9</sup> (EN ISO 13849)</td> </tr> <tr> <td>Cascade with one guest</td> <td>1.9 x 10<sup>-8</sup> (EN ISO 13849)</td> </tr> <tr> <td>Cascade with two guest devices</td> <td>2.9 x 10<sup>-8</sup> (EN ISO 13849)</td> </tr> </table>	Single device	9.6 x 10 <sup>-9</sup> (EN ISO 13849)	Cascade with one guest	1.9 x 10 <sup>-8</sup> (EN ISO 13849)	Cascade with two guest devices	2.9 x 10 <sup>-8</sup> (EN ISO 13849)
Single device	9.6 x 10 <sup>-9</sup> (EN ISO 13849)						
Cascade with one guest	1.9 x 10 <sup>-8</sup> (EN ISO 13849)						
Cascade with two guest devices	2.9 x 10 <sup>-8</sup> (EN ISO 13849)						
<b>T<sub>M</sub> (mission time)</b>	20 years (EN ISO 13849)						
<b>Safe state in the event of a fault</b>	At least one OSSD is in the OFF state.						

#### Functions

	Functions	Delivery status
<b>Restart interlock</b>	✓	Deactivated

	Functions	Delivery status
<b>External device monitoring (EDM)</b>	✓	Deactivated
<b>Beam coding</b>	✓	Uncoded
<b>Automatic calibration of the protective field width</b>	✓	

## Interfaces

<b>System connection</b>	
Sender/receiver communication (COM1)	✓ <sup>1)</sup>
Permitted cable length	Receiver power supply: 15 m <sup>2)</sup> All additional conductors at the system connection: 37.5 m
<b>Configuration method</b>	
Cascade	Automatic detection when starting the device
External device monitoring (EDM)	Automatic detection when starting the device
Calibration of the protective field width	Automatic detection when starting the device
Restart interlock	Teach-in procedure when starting the device
Beam coding	DIP switch
Reset to factory default	DIP switch
<b>Status display</b>	LEDs
<b>Fieldbus, industrial network</b>	
Integration via Flexi Soft safety controller	CANopen, DeviceNet™, EtherCAT®, EtherNet/IP™, Modbus TCP, PROFIBUS DP, PROFINET <sup>3)</sup>

<sup>1)</sup> Optional: To indicate the status on both sides, the COM1 connections from the sender and receiver must be connected to each other in the control cabinet.

<sup>2)</sup> If no inductive OSSD loads (e.g., contactors) are in use, the power supply cable for the receiver of a single device (no cascade) can be up to 30 m in length.

<sup>3)</sup> For additional information on Flexi Soft -> [www.sick.com/Flexi\\_Soft](http://www.sick.com/Flexi_Soft).

## Electrical data

	Sender	Receiver
<b>Protection class</b>	III (EN 50178) <sup>1)</sup>	
<b>Supply voltage <math>V_S</math></b>	24 V DC (19.2 V DC ... 28.8 V DC)	
<b>Ripple</b>	$\leq 10\%$ <sup>2)</sup>	
<b>Power consumption typical</b>	1.51 W (DC)	3.6 W (DC)
<b>Safety outputs (OSSD)</b>		
Type of output		2 PNP semiconductors, short-circuit protected, cross-circuit monitored <sup>3)</sup>
Switching voltage HIGH		24 V DC ( $V_S - 2.25$ V DC ... $V_S$ )
Switching voltage LOW		$\leq 2$ V DC
Switching current		$\leq 500$ mA

<sup>1)</sup> SELV/PELV safety/protective extra-low voltage.

<sup>2)</sup> Within the limits of  $V_S$ .

<sup>3)</sup> Applies to the voltage range between -30 V and +30 V.

## Mechanical data

<b>Housing cross-section (incl. system connection)</b>	34 mm x 41.1 mm
<b>Housing material</b>	Aluminum extruded profile
<b>Front screen material</b>	Polycarbonate, scratch-resistant coating

<b>Weight</b>	380 g (± 50 g) 370 g (± 50 g) (depending on type)
---------------	---------------------------------------------------------

### Ambient data

<b>Enclosure rating</b>	IP65 (EN 60529) IP67 (EN 60529)
<b>Ambient operating temperature</b>	-30 °C ... +55 °C
<b>Storage temperature</b>	-30 °C ... +70 °C
<b>Air humidity</b>	15 % ... 95 %, Non-condensing
<b>Vibration resistance</b>	5 g, 10 Hz ... 55 Hz (EN 60068-2-6)
<b>Shock resistance</b>	10 g, 16 ms (EN 60068-2-29)

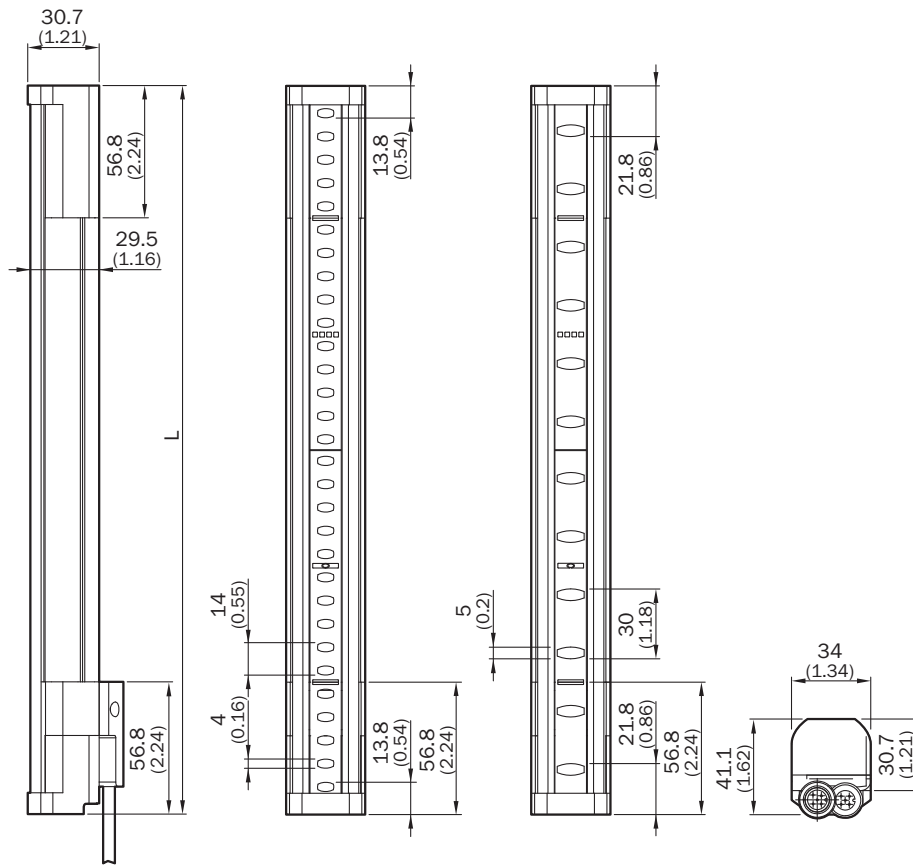
### Other information

<b>Wave length</b>	850 nm
<b>Integrated laser alignment aid</b>	✓
Light source	Laser diode
Laser class	1 (IEC 60825-1)
Type of light	Visible red light
Wave length	650 nm

### Classifications

<b>ECl@ss 5.0</b>	27272704
<b>ECl@ss 5.1.4</b>	27272704
<b>ECl@ss 6.0</b>	27272704
<b>ECl@ss 6.2</b>	27272704
<b>ECl@ss 7.0</b>	27272704
<b>ECl@ss 8.0</b>	27272704
<b>ECl@ss 8.1</b>	27272704
<b>ECl@ss 9.0</b>	27272704
<b>ETIM 5.0</b>	EC002549
<b>ETIM 6.0</b>	EC002549
<b>UNSPSC 16.0901</b>	46171620

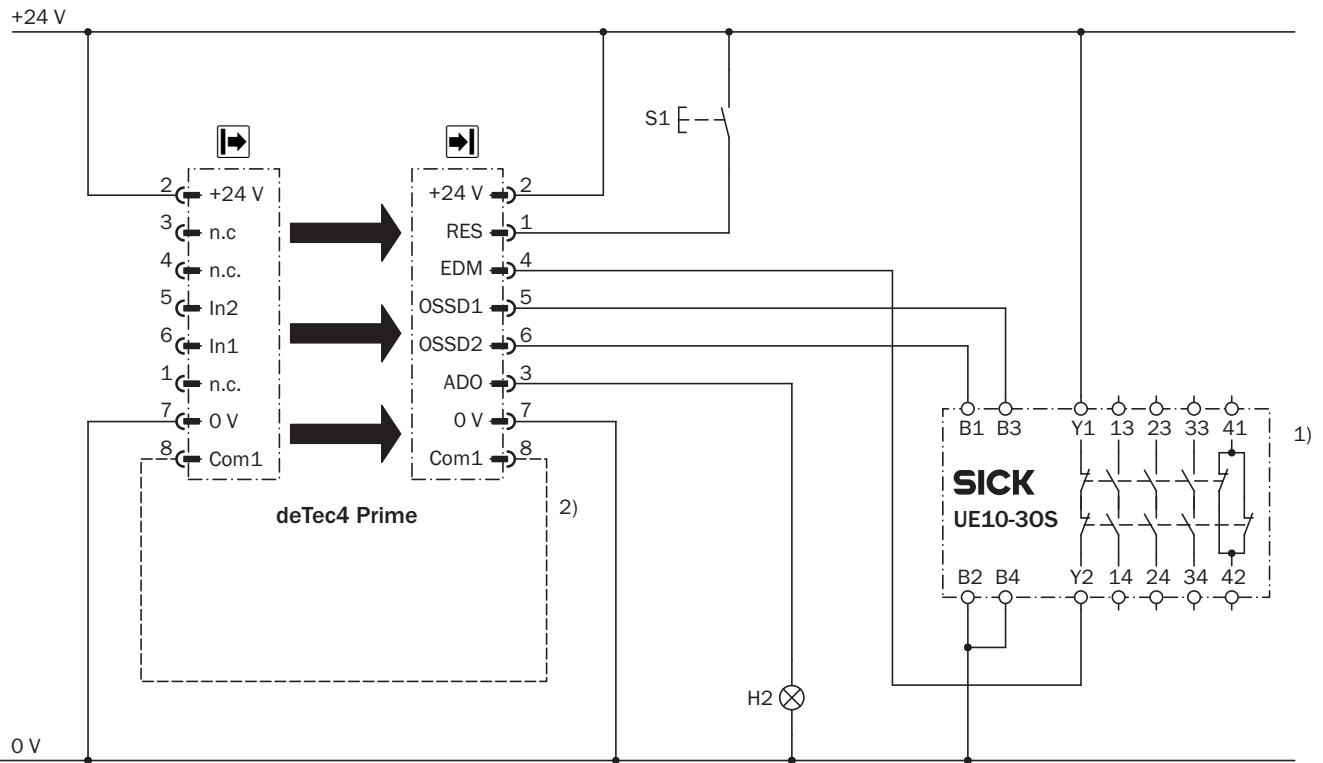
Dimensional drawing (Dimensions in mm (inch))



	L
300	313
450	463
600	613
750	763
900	913
1,050	1,063
1,200	1,213
1,350	1,362
1,500	1,512
1,650	1,662
1,800	1,812
1,950	1,962
2,100	2112

### Connection diagram

deTec4 Prime safety light curtain to UE10-30S safety relay



3) PELV

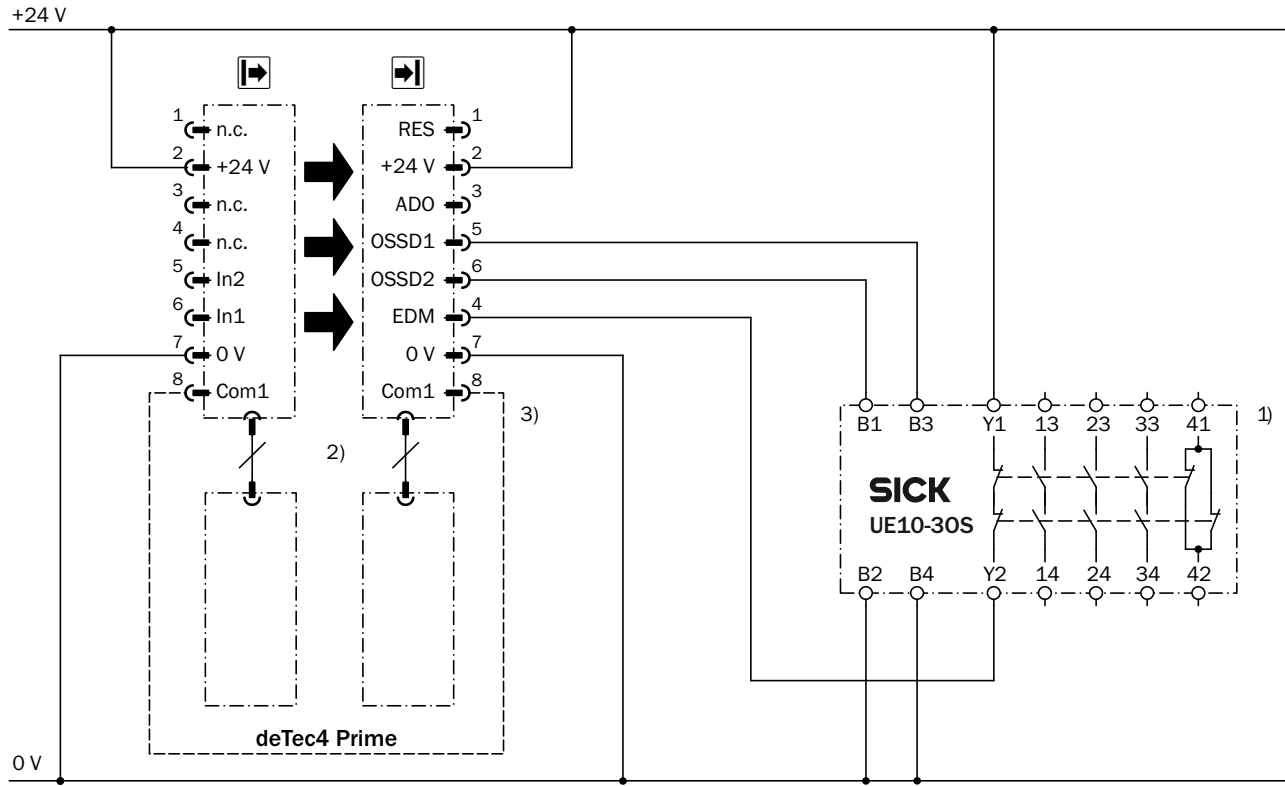
E132908/00/2015-04-07

① Output circuits. These contacts must be incorporated into the control such that the dangerous state is brought to an end if the output circuit is open. For categories 4 and 3, they must be incorporated on two channels (x, y paths). Single-channel incorporation into the control (z path) is only possible with a single-channel control and taking the risk analysis into account.

② To indicate the status on both sides, the Com1 connections from the sender and receiver must be connected to each other in the control cabinet (optional).

③ SELV/PELV safety/protective extra-low voltage.

deTec4 Prime safety light curtain cascade to UE10-30S safety relay



E132954/00/2015-04-07

4) PELV

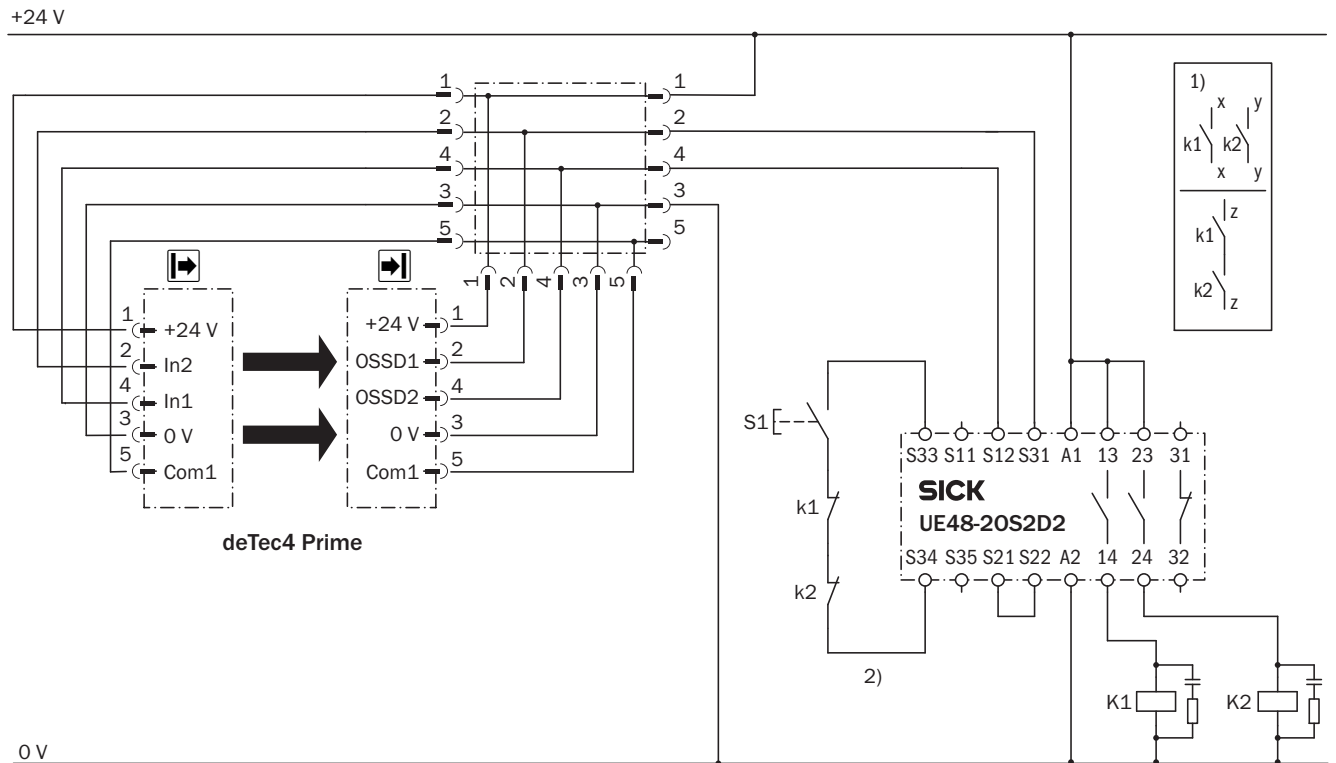
① Output circuits. These contacts must be incorporated into the control such that the dangerous state is brought to an end if the output circuit is open. For categories 4 and 3, they must be incorporated on two channels (x, y paths). Single-channel incorporation into the control (z path) is only possible with a single-channel control and taking the risk analysis into account.

② Connection of the 5-pin extension connection of the host device to the 5-pin system connection of the guest device.

③ To indicate the status on both sides, the Com1 connections from the sender and receiver must be connected to each other in the control cabinet (optional).

④ SELV/PELV safety/protective extra-low voltage.

deTec4 Prime safety light curtain with T-connector to UE48-20S safety relay



3) PELV

E132906/00/2015-04-07

① Output circuits. These contacts must be incorporated into the control such that the dangerous state is brought to an end if the output circuit is open. For categories 4 and 3, they must be incorporated on two channels (x, y paths). Single-channel incorporation into the control (z path) is only possible with a single-channel control and taking the risk analysis into account.

② External device monitoring is only static.

③ SELV/PELV safety/protective extra-low voltage.

Task

Connection of a deTec4 Prime safety light curtain to a UE48-20S safety relay. Operating mode: with restart interlock and external device monitoring (EDM). The T-piece establishes a connection between the sender and the receiver.

Mode of operation

When the protective field is clear, the OSSD1 and OSSD2 outputs carry voltage. The system can be switched on when K1 and K2 are in a fault-free de-energized position. The UE48-20S is switched on by pressing S1 (pushbutton is pressed and released). The outputs (contacts 13-14 and 23-24) switch the K1 and K2 contactors on. When the protective field is interrupted, the OSSD1 and OSSD2 outputs switch the UE48-20S off. Contactors K1 and K2 are switched off.

Fault analysis

Cross-circuits and short-circuits of the OSSD1 and OSSD2 outputs are recognized and lead to the locking state (lock-out). A malfunction with one of the K1 or K2 contactors is detected. The shut-down function is retained. In the event of manipulation (e.g., jamming) of the S1 pushbutton, the UE48-20S will not re-enable the output current circuits.

Task

Connection of two deTec4 Prime safety light curtains to a UE10-30S safety relay. Operating mode: without restart interlock, with external device monitoring (EDM). If required, the restart interlock is implemented via the machine controller.

Mode of operation

If the protective field is clear and the UE10-30S is in a fault-free de-energized position, the system is enabled. Outputs OSSD1 and OSSD2 carry voltage, the UE10-30S is switched on. When the protective field is interrupted, the OSSD1 and OSSD2 outputs switch the UE10-30S off.

Fault analysis

Cross-circuits and short-circuits of the OSSDs are recognized and lead to the locking state (lock-out). The malfunction of the UE10-30S is detected. The shut-down function is retained.

Task

Connection of a deTec4 Prime safety light curtain to a UE10-30S safety relay. Operating mode: with restart interlock, external device monitoring (EDM), and application diagnostic output.

Mode of operation



If the protective field is clear and the UE10-30S is in a fault-free de-energized position, the field indicator and the H2 lamp flash. The system can be switched on. The system is enabled by pressing S1 (pushbutton is pressed and released). Outputs OSSD1 and OSSD2 carry voltage, the UE10-30S is switched on. When the protective field is interrupted, the OSSD1 and OSSD2 outputs switch the UE10-30S off.

#### Fault analysis

Cross-circuits and short-circuits of the OSSDs are recognized and lead to the locking state (lock-out). The malfunction of the UE10-30S is detected. The shut-down function is retained. Manipulation (e.g., jamming) of the S1 pushbutton prevents the output circuits from being enabled.

## SICK AT A GLANCE

SICK is one of the leading manufacturers of intelligent sensors and sensor solutions for industrial applications. A unique range of products and services creates the perfect basis for controlling processes securely and efficiently, protecting individuals from accidents and preventing damage to the environment.

We have extensive experience in a wide range of industries and understand their processes and requirements. With intelligent sensors, we can deliver exactly what our customers need. In application centers in Europe, Asia and North America, system solutions are tested and optimized in accordance with customer specifications. All this makes us a reliable supplier and development partner.

Comprehensive services complete our offering: SICK LifeTime Services provide support throughout the machine life cycle and ensure safety and productivity.

For us, that is “Sensor Intelligence.”

## WORLDWIDE PRESENCE:

Contacts and other locations –[www.sick.com](http://www.sick.com)