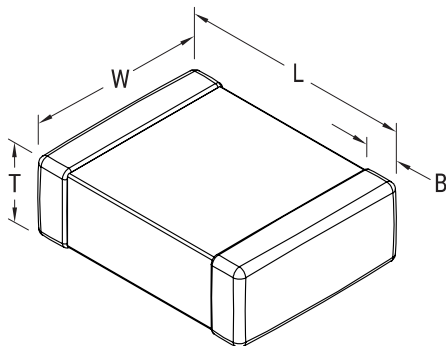


KEMET Part Number: M3253506E1B103JZMB-T&R
(C1210K103J1EML7189)

SMD MIL COG PRF32535, Ceramic, Military/High Reliability, 0.01 uF, 5%, 100 V, COG, SMD, Low ESR, MIL-PRF-32535, N/A, 1210



Dimensions	
L (Imperial)	0.126 Inches +/-0.010 Inches
L	3.2mm +/-0.25mm
W (Imperial)	0.098 Inches +/-0.010 Inches
W	2.49mm +/-0.25mm
T (Imperial)	0.110 Inches MAX
T	2.79mm MAX
B (Imperial)	0.020 Inches +/-0.014 Inches
B	0.51mm +/-0.36mm

Packaging Specifications	
Packaging:	T&R
Packaging Quantity:	4000

General Information	
Supplier:	KEMET
Series:	SMD MIL COG PRF32535
Style:	SMD Chip
Description:	SMD, Low ESR, MIL-PRF-32535
RoHS:	No
Termination:	Solder Plated
Failure Rate:	N/A
Qualifications:	MIL-PRF-32535 M-Level
Chip Size:	1210
Shelf Life:	78 Weeks
MSL:	1

Specifications	
Capacitance:	0.01 uF
Capacitance Tolerance:	5%
Voltage DC:	100 VDC
Dielectric Withstanding Voltage:	250 V
Temperature Range:	-55/+125C
Temperature Coefficient:	COG
Dissipation Factor:	0.15% 1MHz 25C
Aging Rate:	0% Loss/Decade Hour
Insulation Resistance:	100 GOhms