

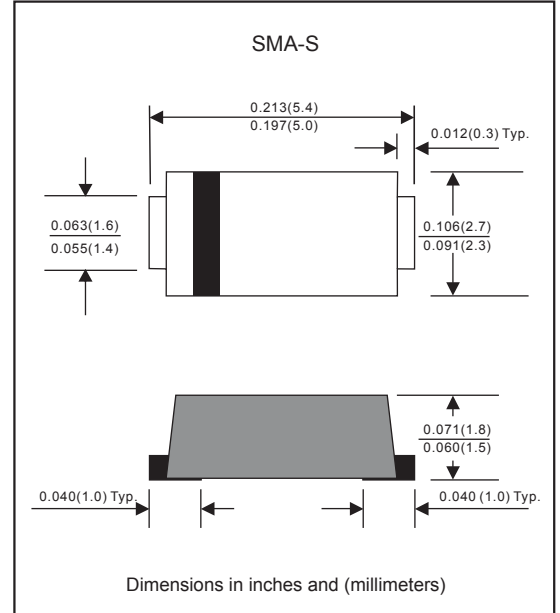


### FEATURES

- \* Batch process design, excellent power dissipation offers better reverse leakage current and thermal resistance.
- \* Low profile surface mounted application in order to optimize board space.
- \* Low power loss, high efficiency.
- \* High current capability, low forward voltage drop.
- \* High surge capability.
- \* Ultra high-speed switching.
- \* Lead-free parts meet environmental standards of MIL-STD-19500/228
- \* RoHS product for packing code suffix "G"  
Halogen free product for packing code suffix "H"

### MECHANICAL DATA

Case: Molded plastic, SMA-S  
 Epoxy: UL 94V-O rate flame retardant  
 Terminals: Solder plated, solderable per MIL-STD-750, Method 2026.  
 Mounting position: Any  
 Weight: Approximated 0.05 gram.



### MAXIMUM RATINGS AND ELECTRICAL CHARACTERISTICS

Ratings at 25°C ambient temperature unless otherwise specified.  
 Single phase half wave, 60Hz, resistive or inductive load.  
 For capacitive load, derate current by 20%

RATINGS	SYMBOL	PFM320-AS	PFM330-AS	PFM340-AS	PFM350-AS	PFM360-AS	PFM380-AS	PFM3100-AS	PFM3150-AS	PFM3200-AS	UNIT
Marking Code		SK32	SK33	SK34	SK35	SK36	SK38	S310	S315	S320	
Maximum Recurrent Peak Reverse Voltage	V <sub>RRM</sub>	20	30	40	50	60	80	100	150	200	Volts
Maximum RMS Voltage	V <sub>RMS</sub>	14	21	28	35	42	56	70	105	140	Volts
Maximum DC Blocking Voltage	V <sub>DC</sub>	20	30	40	50	60	80	100	150	200	Volts
Maximum Average Forward Rectified Current	I <sub>O</sub>	3.0									Amps
Peak Forward Surge Current 8.3 ms single half sine-wave superimposed on rated load (JEDEC method)	I <sub>FSM</sub>	80									Amps
Typical Thermal Resistance (Note 2)	R <sub>θJC</sub>	30									°C/W
Typical Junction Capacitance (Note 1)	C <sub>J</sub>	250									pF
Operating Temperature Range	T <sub>J</sub>	-55 to +125			-55 to +150						°C
Storage Temperature Range	T <sub>STG</sub>	-55 to +150									°C

CHARACTERISTICS	SYMBOL	PFM320-AS	PFM330-AS	PFM340-AS	PFM350-AS	PFM360-AS	PFM380-AS	PFM3100-AS	PFM3150-AS	PFM3200-AS	UNIT
Maximum Forward Voltage at 3.0A DC	V <sub>F</sub>	0.50			0.70		0.85		0.92		Volts
Maximum Average Reverse Current at Rated DC Blocking Voltage	@T <sub>J</sub> =25°C	0.5									mAmps
	@T <sub>J</sub> =100°C	20									

- NOTES:
- 1- Measured at 1 MHz and applied reverse voltage of 4.0 VDC.
  - 2- Thermal Resistance From Junction to Case.

### RATING AND CHARACTERISTIC CURVES

FIG.1-TYPICAL FORWARD CURRENT DERATING CURVE

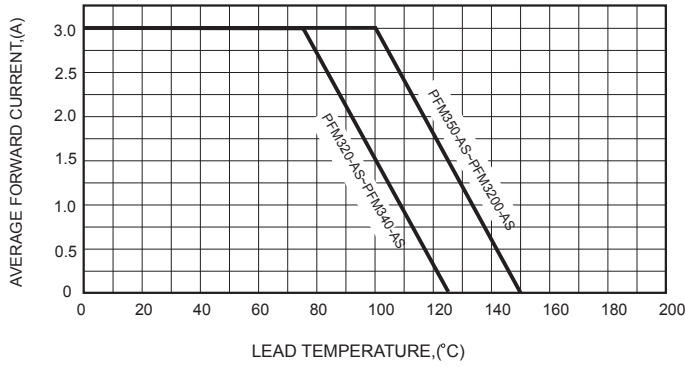


FIG.2-TYPICAL FORWARD CHARACTERISTICS

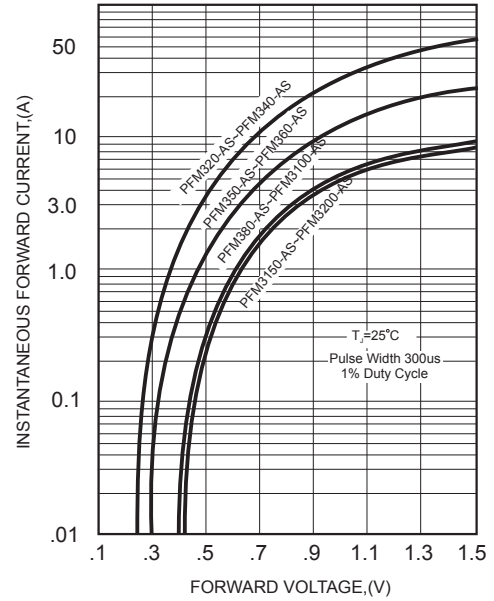


FIG.3-MAXIMUM NON-REPETITIVE FORWARD SURGE CURRENT

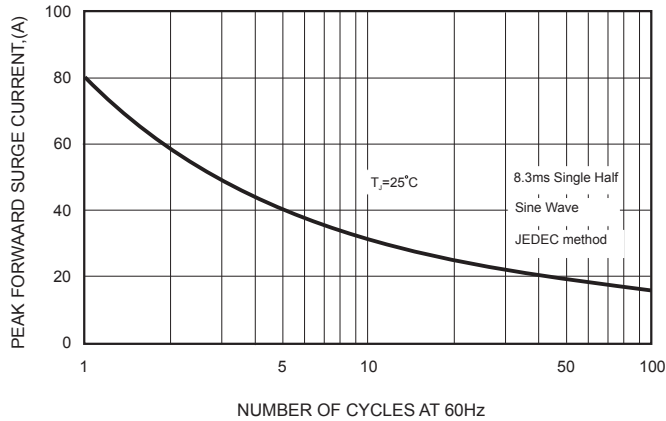


FIG.4-TYPICAL JUNCTION CAPACITANCE

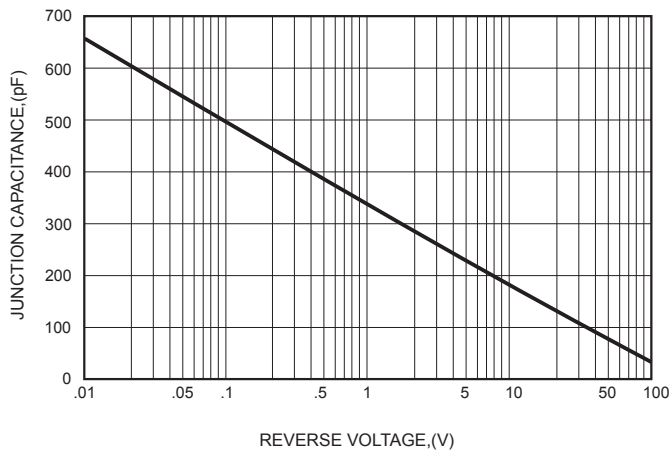


FIG.5 - TYPICAL REVERSE CHARACTERISTICS

