

## Features

- Transient protection for high-speed data lines  
IEC 61000-4-2 (ESD) ±25kV (Air)  
±17kV (Contact)  
IEC 61000-4-4 (EFT) 40A (5/50 ns)  
Cable Discharge Event (CDE)
- Small package (2.9mm x 2.8mm x 1.4mm)
- Protects four data lines
- Low capacitance: 0.6pF Typical (I/O-GND)
- Low leakage current: 0.1uA@V<sub>RWM</sub> (Typical)
- Low clamping voltage
- Each I/O pin can withstand over 1000 ESD strikes for ±8kV contact discharge
- Green part

## Description

T0534VL is an ultra-low capacitance Transient Voltage Suppressor (TVS) designed to provide electrostatic discharge (ESD) protection for high-speed data interfaces. With typical capacitance of 0.5pF only, T0534VL is designed to protect parasitic-sensitive system against over-voltage and over-current transient events. It complies with IEC61000-4-2(ESD), Level X (±25kV air, ±17kV contact discharge), IEC 61000-4-4 (electrical fast transient - EFT) (40A, 5/50ns), very fast charged device model (CDM) ESD and cable discharge event (CDE), etc.

T0534VL user SOT23-6L package. Each T0534VL device can protect four high-speed data lines. The combined features of low capacitance, small size and high ESD robustness make T0534VL ideal for high-speed data ports and high-frequency lines (e.g., HDMI & DVI) applications. The low clamping voltage of the T0534VL guarantees a minimum stress on the protected IC.

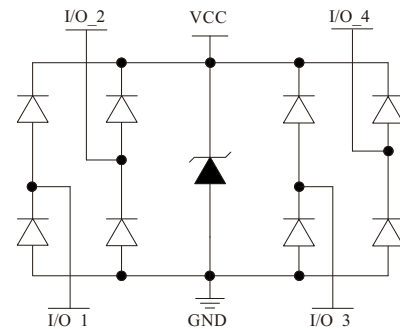
## Applications

- Serial ATA
- PCI Express
- Desktops, Servers and Notebooks
- MDDI Ports
- USB 2.0/3.0 Power and Data line Protection
- Display Ports
- High Definition Multi-Media Interface (HDMI)
- Digital Visual Interfaces (DVI)

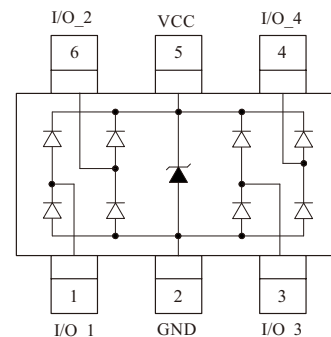
## Mechanical Characteristics

- SOT23-6L package
- Flammability Rating: UL 94V-0
- Marking: Part number
- Packaging: Tape and Reel

## Circuit Diagram



## Pin Configuration



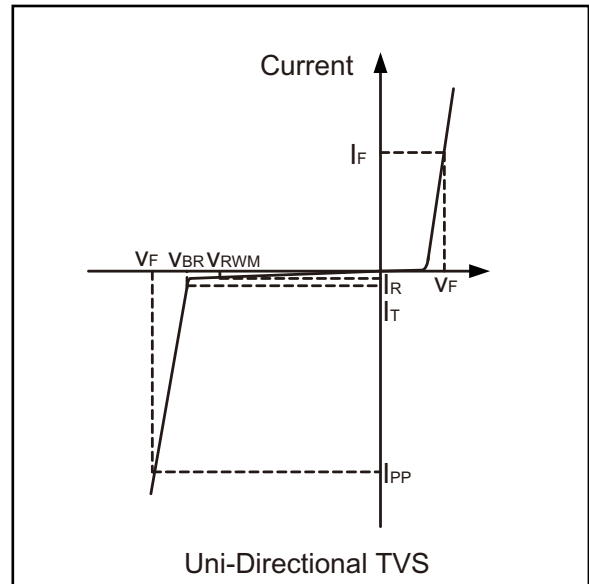
SOT23-6L  
(Top View)

### Absolute Maximum Rating

Symbol	Parameter	Value	Units
$I_{PP}$	Peak Pulse Current( $t_p=8/20\mu s$ )(I/O pins)	4.5	A
$V_{ESD}$	ESD per IEC 61000-4-2 (Air) ESD per IEC 61000-4-2 (Contact)	$\pm 25$ $\pm 17$	kV
$T_{OPT}$	Operating Temperature	-55/+125	$^{\circ}C$
$T_{STG}$	Storage Temperature	-55/+150	$^{\circ}C$
$T_{LST}$	Lead Soldering Temperature	260	$^{\circ}C$

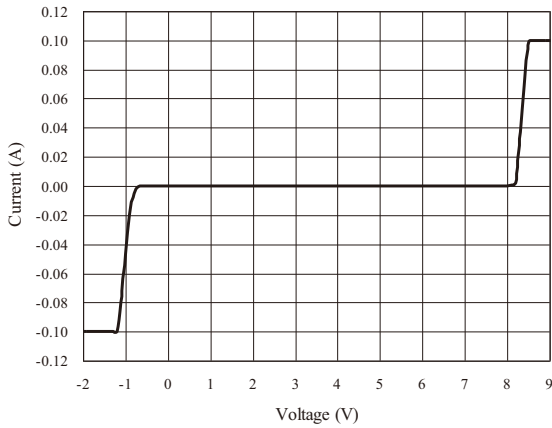
### Electrical Characteristics (T = 25 $^{\circ}C$ )

Symbol	Parameter
$V_{RWM}$	Nominal Reverse Working Voltage
$I_R$	Reverse Leakage Current @ $V_{RWM}$
$V_{BR}$	Reverse Breakdown Voltage @ $I_T$
$I_T$	Test Current for Reverse Breakdown
$V_C$	Clamping Voltage @ $I_{PP}$
$I_{PP}$	Maximum Peak Pulse Current
$C_{ESD}$	Parasitic Capacitance
$V_R$	Reverse Voltage
f	Small Signal Frequency
$I_F$	Forward Current
$V_F$	Forward Voltage @ $I_F$

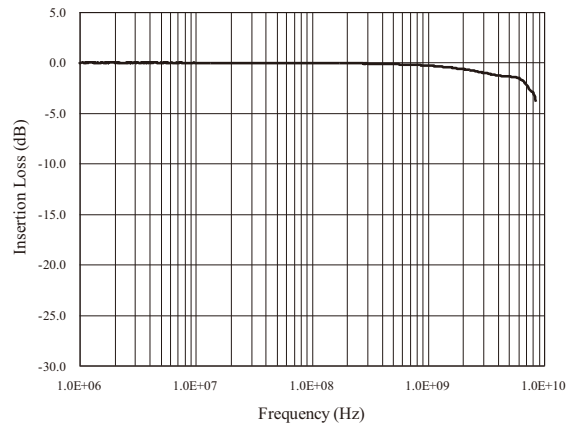


Symbol	Test Condition	Minimum	Typical	Maximum	Units
$V_{RWM}$				5.0	V
$I_R$	$V_{RWM} = 5V, T = 25^{\circ}C$ Between I/O and GND		0.1	1.0	$\mu A$
$V_{BR}$	$I_T = 1mA$ Between I/O and GND	6.0	8.0	10.0	V
$V_C$	$I_{PP} = 1A, t_p = 8/20\mu s$ Between I/O and GND			12	V
$C_{ESD}$	$V_R = 0V, f = 1MHz$ Between I/O and GND		0.6	0.8	pF
$C_{ESD}$	$V_R = 0V, f = 1MHz$ Between I/O and I/O		0.05	0.08	pF

**Voltage Sweeping of I/O to GND**

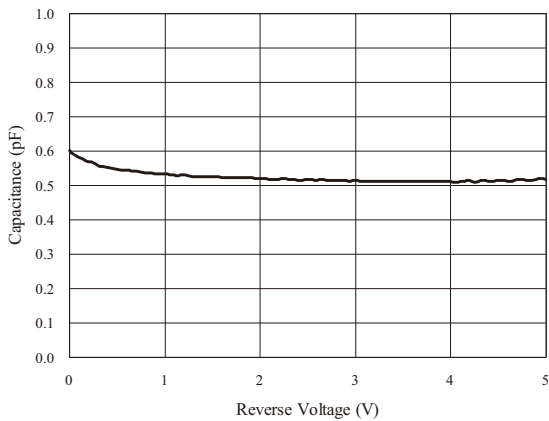


**Insertion Loss S21 of I/O to GND**

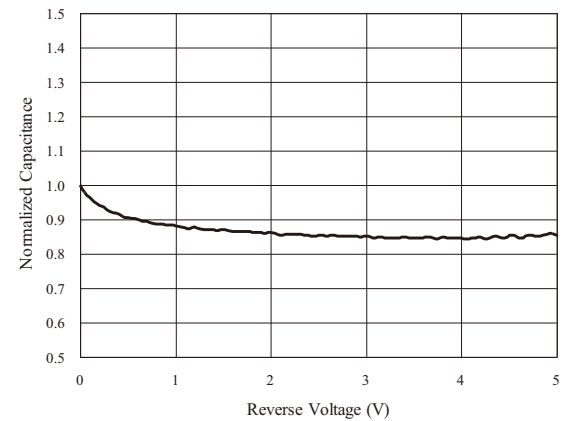


**Capacitance vs. Voltage of I/O to GND (f = 1MHz)**

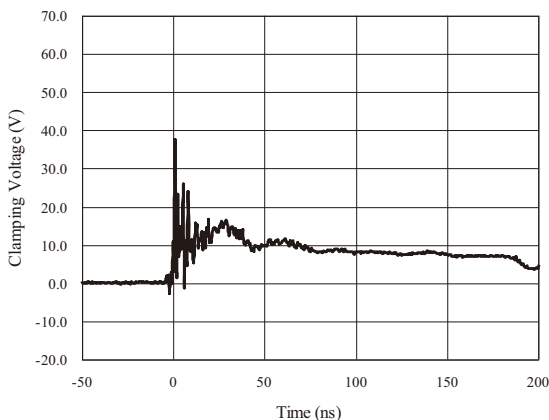
Capacitance vs. Reverse Voltage



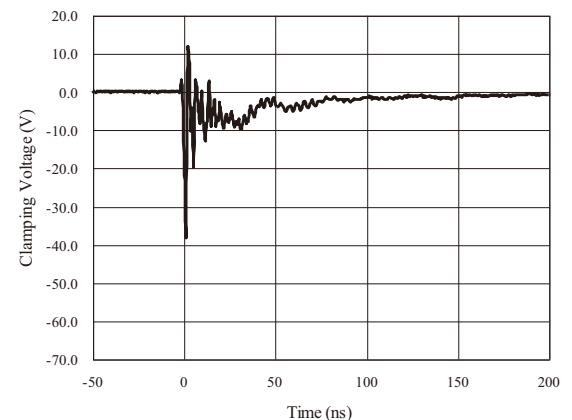
Normalized Capacitance vs. Reverse Voltage



**ESD Clamping of I/O to GND (+8kV Contact per IEC 61000-4-2)**



**ESD Clamping of I/O to GND (-8kV Contact per IEC 61000-4-2)**



## Application Information

### Pin Connection in PCB

T0534VL is capable to provide ESD protection for four data lines simultaneously. The pin connection is shown in Figure 1.

Four parallel data lines, from inner IC to I/O port connector, could connect to T0534VL four I/O pins directly. Pin 2 of T0534VL is the negative reference pin, which should connect to the GND of PCB. The connection wires should be as short as possible in order to minimize the parasitic inductance.

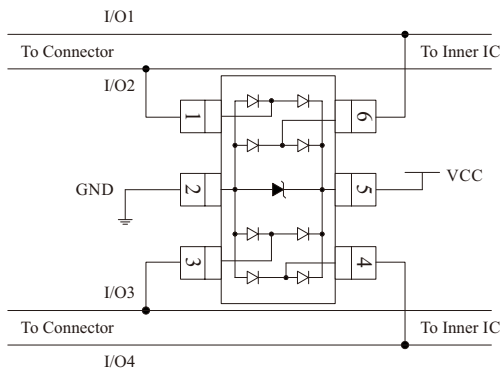


Figure 1 T0534VL pin connection in PCB

### PCB Layout Guidelines

For optimum ESD protection and the whole circuit performance, the following PCB layout guidelines are recommended:

- T0534VL GND pin to the PCB GND rail path should be as short as possible. It could reduce the ESD transient return path to GND.
- The vias connecting T0534VL VCC & GND pins to the PCB VCC & GND should be wide.
- Place T0534VL as close to the connector port as possible. It could reduce the parasitic inductance and restrict ESD coupling into adjacent traces.
- Avoid running critical signals near board edges.

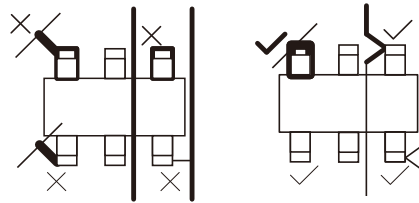
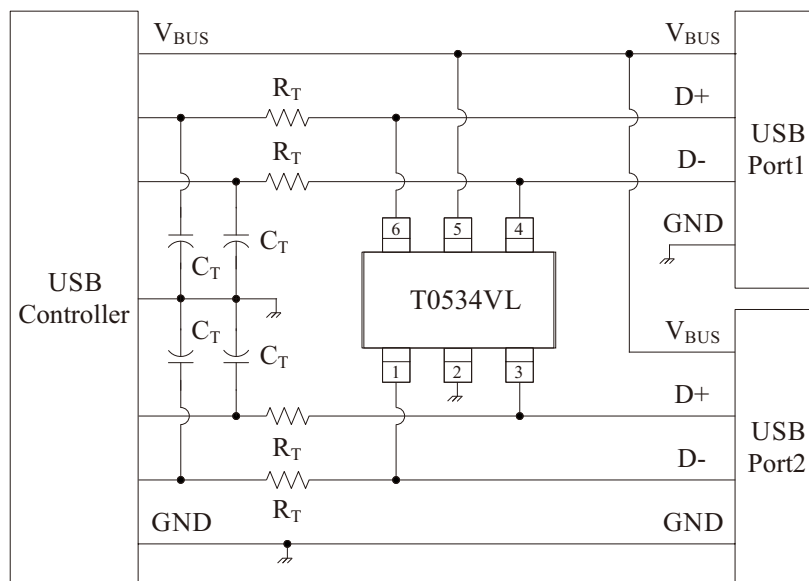
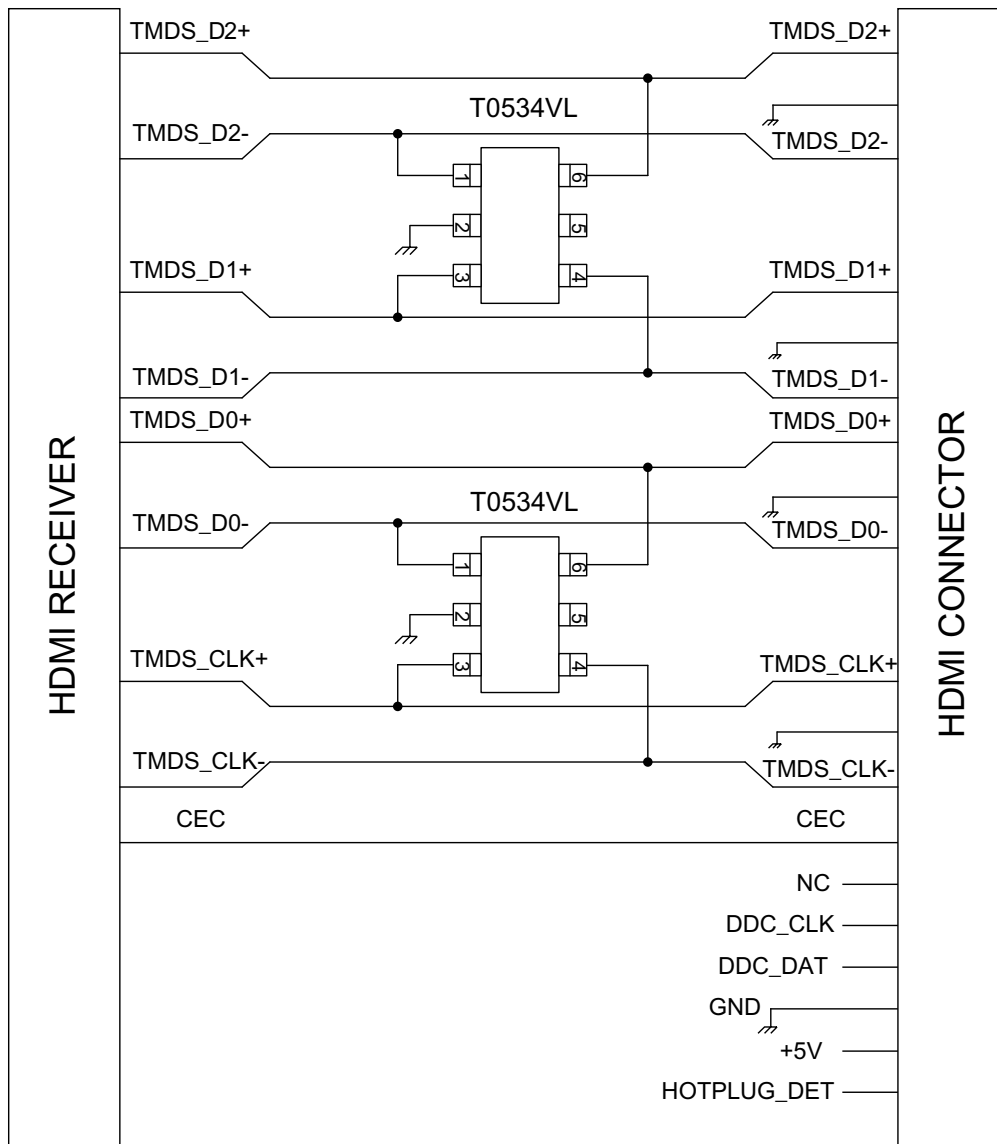


Figure 2 T0534VL Layout Guideline

## Universal Serial Bus ESD Protection



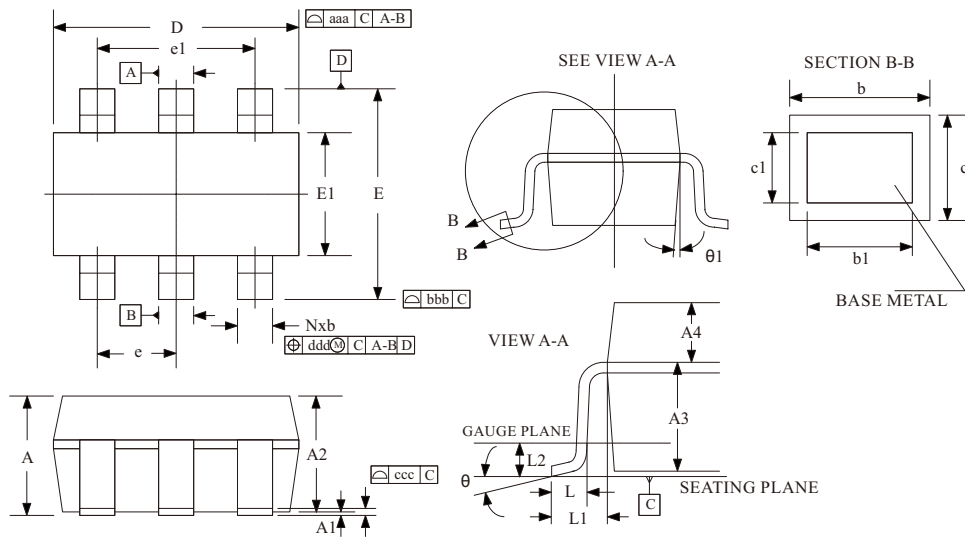
## Application Information



Layout Top View for HDMI Interface with T0534VL

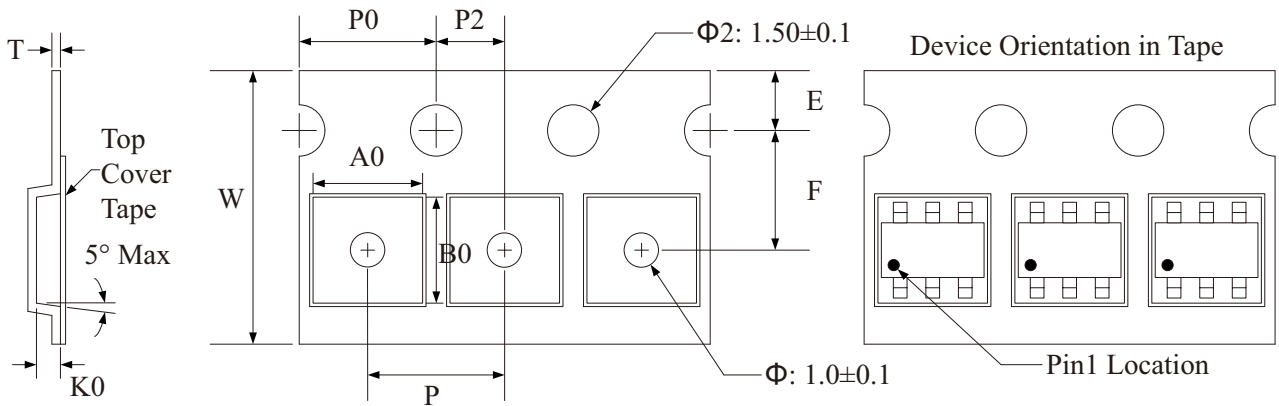
## Package Outline

SOT23-6L package

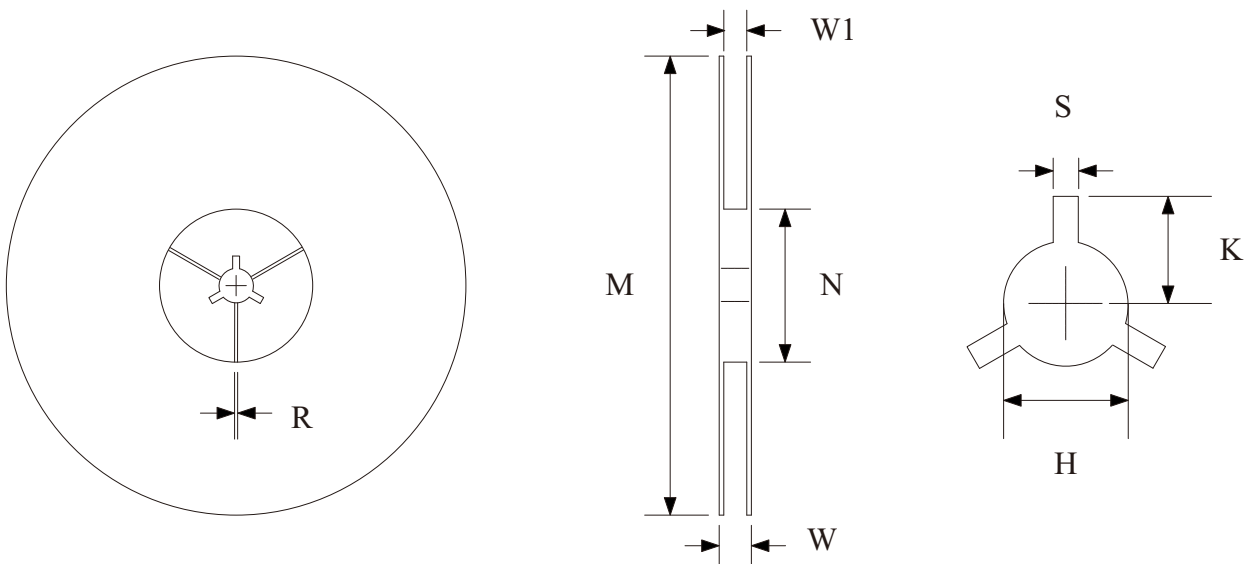


Package Dimensions (Controlling dimensions are in millimeters)

Symbol	Dimensions (mm)			Dimensions (Inches)		
	Minimum	Typical	Maximum	Minimum	Typical	Maximum
A	---	---	1.450	---	---	0.057
A1	0.000	---	0.150	0.000	---	0.006
A2	0.900	1.200	1.300	0.035	0.047	0.012
A3	0.637	0.787	0.837	0.025	0.031	0.033
A4	0.263	0.413	0.463	0.010	0.016	0.018
b	0.300	---	0.500	0.012	---	0.020
b1	0.300	0.400	0.450	0.012	0.016	0.018
c	0.080	---	0.220	0.003	---	0.009
c1	0.080	0.130	0.200	0.003	0.005	0.008
D	2.90 BSC			0.114 BSC		
e	0.95 BSC			0.037 BSC		
e1	1.90 BSC			0.075 BSC		
E	2.80 BSC			0.110 BSC		
E1	1.60 BSC			0.063 BSC		
L	0.300	0.450	0.600	0.012	0.018	0.024
L1	0.600 REF			0.024 REF		
L2	0.250 BSC			0.010 BSC		
θ	0°	4°	8°	0°	4°	8°
θ1	5°	10°	15°	5°	10°	15°
aaa	0.150			0.006		
bbb	0.200			0.008		
ccc	0.100			0.004		
ddd	0.100			0.004		

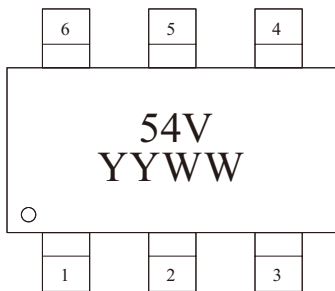
**Tape and Reel Specification**


Symbol	W	A0	B0	K0	E	F	P	P0	P2	T
Dimensions (mm)	8.00+0.3 -0.1	3.23±0.05	3.17±0.05	1.37±0.05	1.75±0.1	3.5±0.05	4.0±0.1	4.0±0.1	2.0±0.05	0.25±0.02

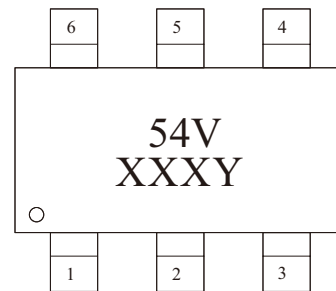


Symbol	Reel Size	M	N	W	W1	H	S	K	R
Dimensions (mm)	$\Phi 178$	178.0±1.0	60.0±1.0	11.5±0.5	9.0±0.5	13.0±0.5	2.0±0.1	11.0±0.2	1.0±0.05

## Marking Codes



Or



**Note:**

- (1) "54V" is part number, fixed.
- (2) "YYWW" is date code. "Y" is the assembly year (2015 is "15"); while "WW" is the assembly week in a year.

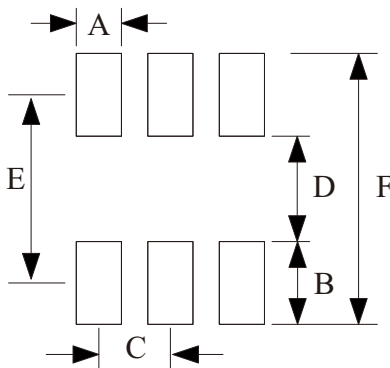
**Note:**

- (1) "54V" is part number, fixed.
- (2) "XXX" is the last 3 characters of the wafer's Lot No., "Y" is the internal code.

## Ordering Information

Part Number	Working Voltage	Quantity Per Reel	Reel Size
T0534VL	5V	3,000	7 Inch

## Footprint: SOT23-6L



Symbol	Dimensions	
	Millimeters	Inches
A	0.60	0.024
B	1.10	0.043
C	0.95	0.037
D	1.40	0.055
E	2.50	0.098
F	3.60	0.141



- CITC reserves the right to make changes to this document and its products and specifications at any time without notice.
- Customers should obtain and confirm the latest product information and specifications before final design, purchase or use.
- CITC makes no warranty, representation or guarantee regarding the suitability of its products for any particular purpose, nor does CITC assume any liability for application assistance or customer product design.
- CITC does not warrant or accept any liability with products which are purchased or used for any unintended or unauthorized application.
- No license is granted by implication or otherwise under any intellectual property rights of CITC.
- CITC products are not authorized for use as critical components in life support devices or systems without express written approval of CITC.