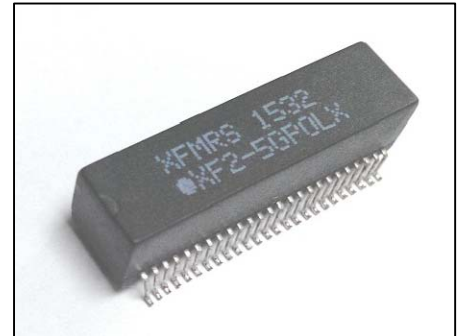


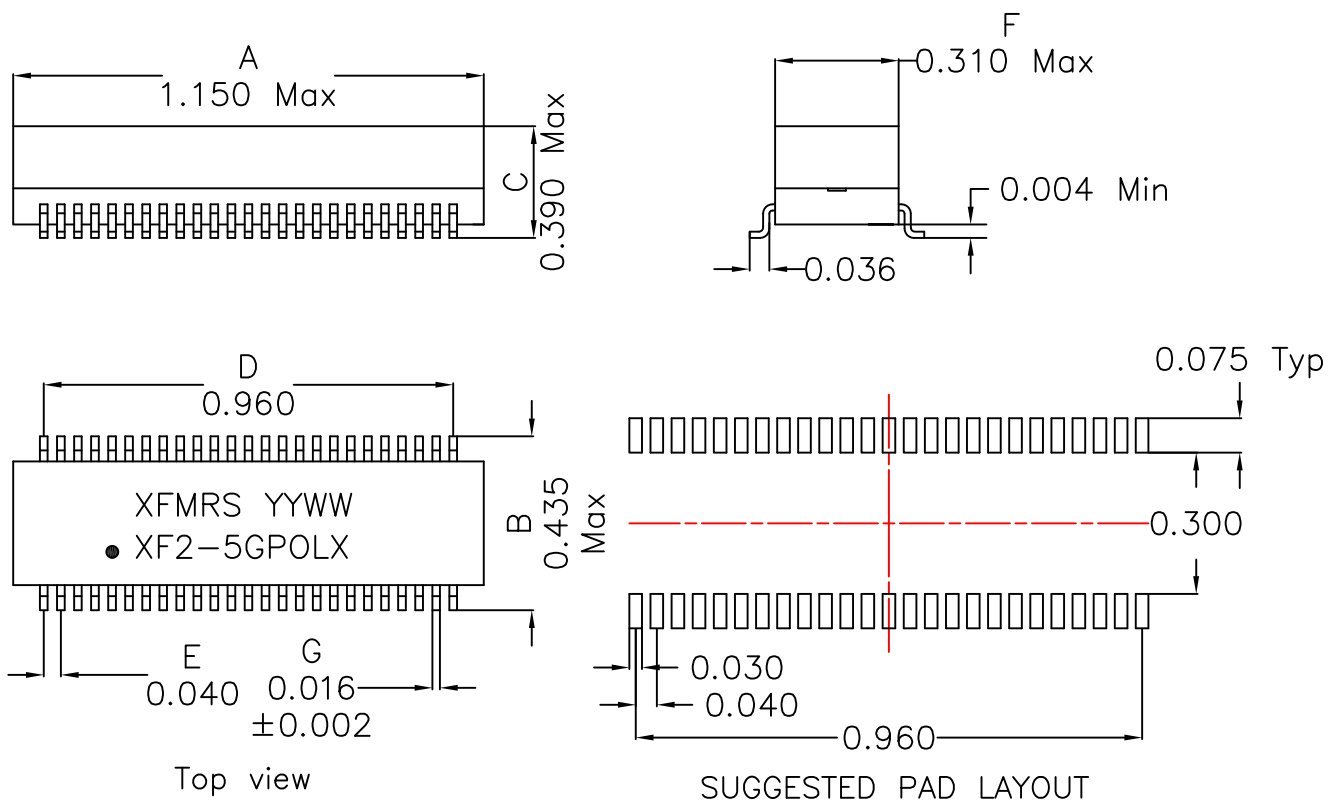
XFMRS

2.5G BASE-T TRANSFORMER MODULES

- * True Surface Mount Design
- * Tape & Reel Packaging Standard, 250 Pcs per 13" Reel
- * Flamability Rating: UL94V-0
- * RoHS Compliant Component
- * Recommended IR Reflow peak temp of 250°C Max.
- * 350uH minimum OCL(Pri) with 8mA bias current
- * Sec DCR: 1.40 Ohms Max
- * Minimum 1500 Vrms isolation
- * Turns Ratio.: Pri/Sec 1CT:1CT±3%



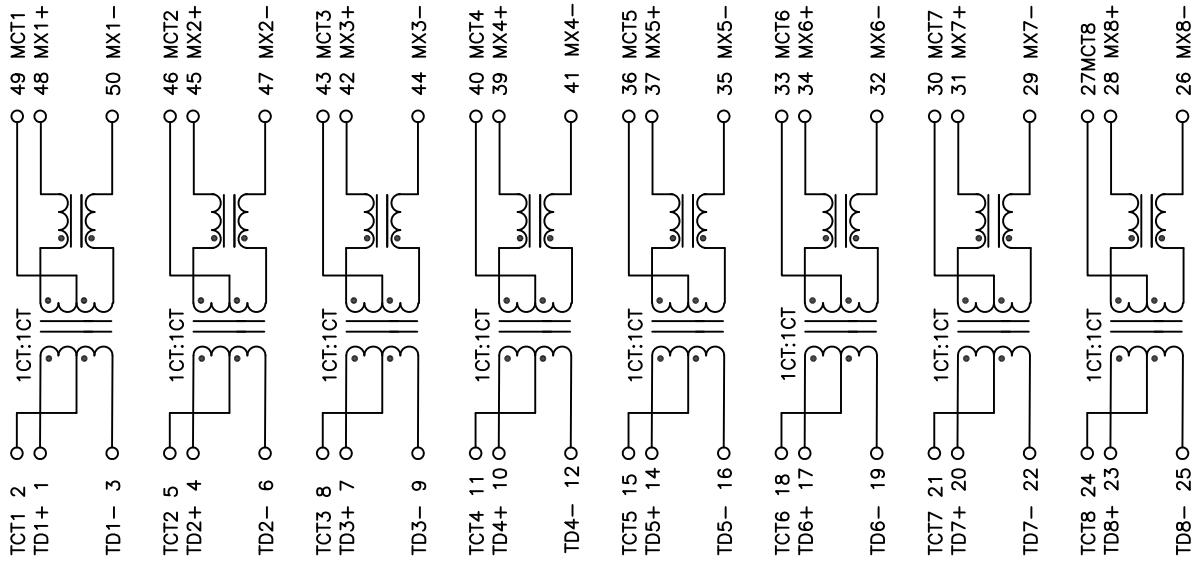
Mechanical Dimensions:



XFMRs

2.5G BASE-T TRANSFORMER MODULES

Schematic:



Electrical Specifications: @25°C

Part Number	Insertion Loss			Return Loss			Cross Talk		CCMR		Current Capability	Operating Temperature Range
	1-100MHz	100-125MHz	125-250MHz	1-40MHz	40-100MHz	100-125MHz	1-100MHz	100-125MHz	1-100MHz	100-125MHz		
XF2-5GPOLA	1.0dB Max	1.5dB Max	2.5dB Max	16dB Min	10dB Min	6dB Min	30dB Min	25dB Min	30dB Min	25dB Min	720mA	0°C to +70°C
XF2-5GPOLB	1.0dB Max	1.5dB Max	2.5dB Max	16dB Min	10dB Min	6dB Min	30dB Min	25dB Min	30dB Min	25dB Min	1A	0°C to +70°C
XF2-5GPOLC	1.0dB Max	1.5dB Max	2.5dB Max	16dB Min	10dB Min	6dB Min	30dB Min	25dB Min	30dB Min	25dB Min	1A	-40°C to +85°C

Notes:

OCL: @100KHz 0.1V