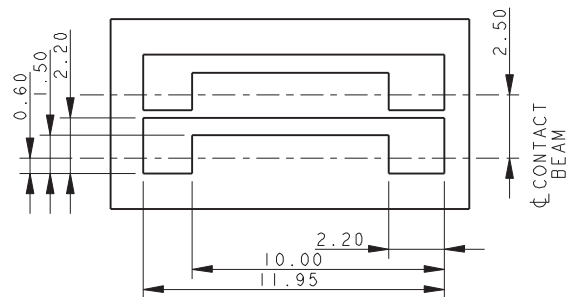
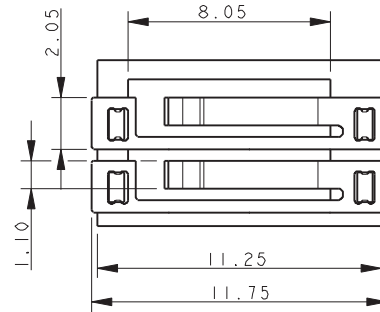
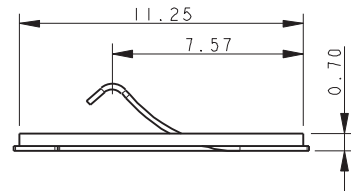
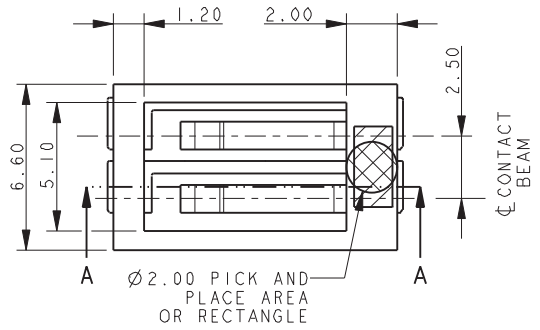
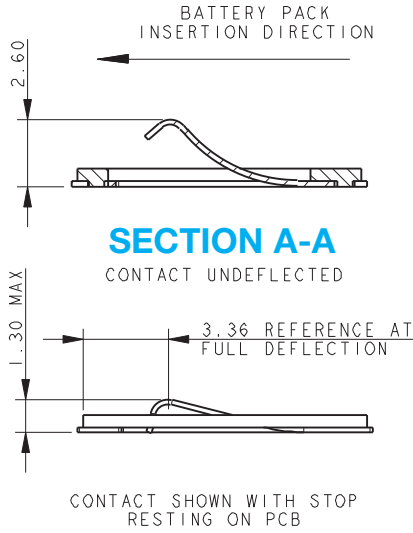




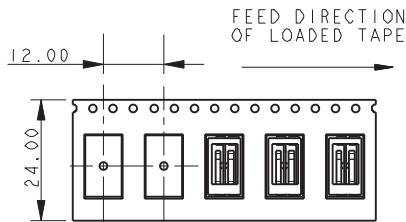
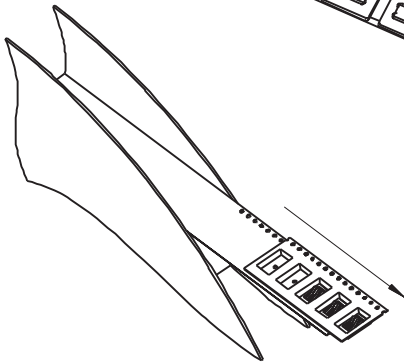
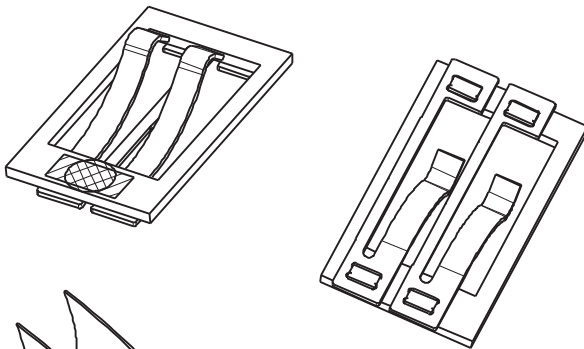
# Ultra-Low Profile 2.5mm Pitch Battery

9155-100

## 2 WAY LOW PROFILE CONNECTOR NO STOP



### SUGGESTED PCB LAYOUT



### PACKING DETAILS

REEL QTY	1500
LEADER	500MM
TRAILER	500MM

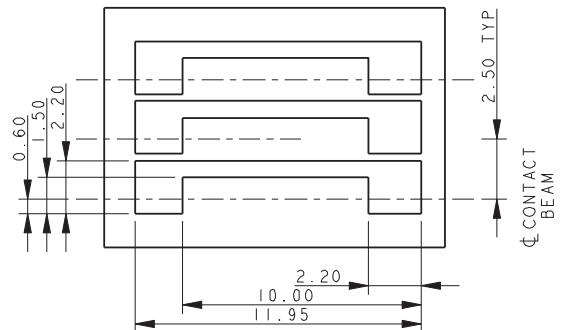
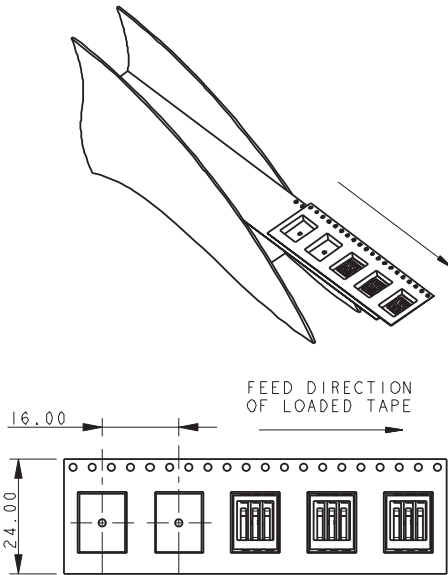
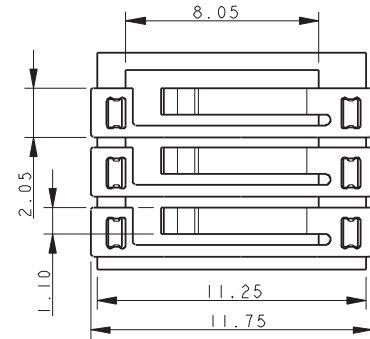
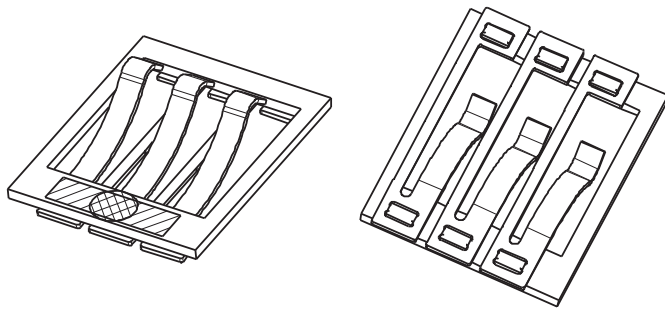
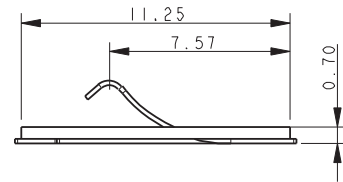
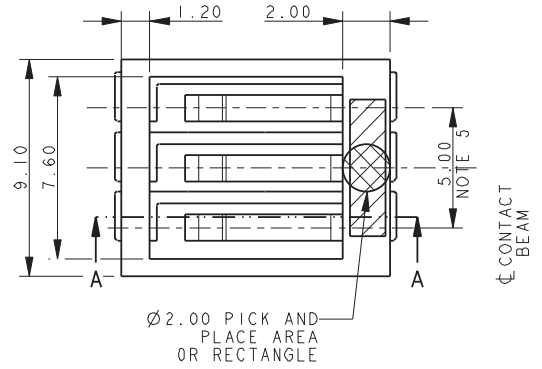
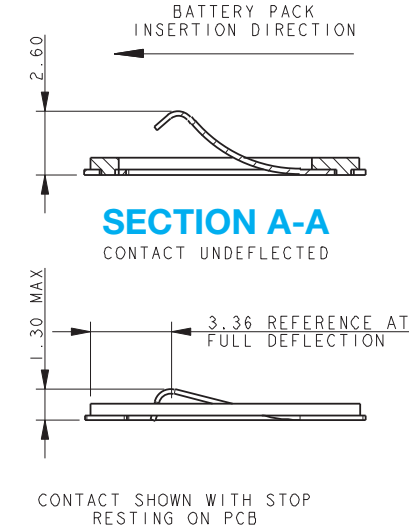
#### NOTES:

1. FOR FULL PRODUCT SPECIFICATION REFER TO ELCO SPECIFICATION 201-01-094.
2. MATERIALS: CONTACT - COPPER ALLOY, INSULATOR - GLASS FILLED NYLON. COLOR: BLACK.
3. TOLERANCE  $\pm 0.20$  UNLESS SPECIFIED.
4. PACKING DETAILS SEE TABLE.
5. FOR MATING PAD DETAILS REFER TO PAGE 103.

# Ultra-Low Profile 2.5mm Pitch Battery

9155-100

## 3 WAY LOW PROFILE CONNECTOR NO STOP



### SUGGESTED PCB LAYOUT

- NOTES:
- FOR FULL PRODUCT SPECIFICATION REFER TO ELCO SPECIFICATION 201-01-094.
  - MATERIALS: CONTACT - COPPER ALLOY, INSULATOR - GLASS FILLED NYLON. COLOR: BLACK.
  - TOLERANCE  $\pm 0.20$  UNLESS SPECIFIED.
  - PACKING DETAILS SEE TABLE.
  - 2 EQUAL PITCHES @ 2.50 = 5.00.
  - FOR MATING PAD DETAILS REFER TO PAGE 103.

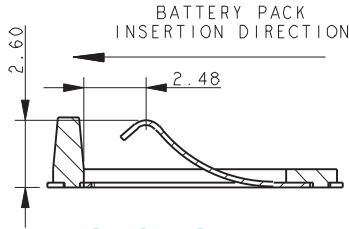
### PACKING DETAILS

REEL QTY	1200
LEADER	500MM
TRAILER	500MM

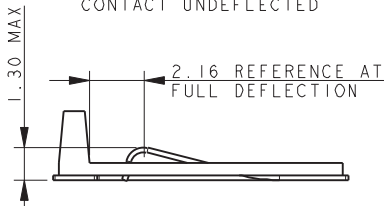
# Ultra-Low Profile 2.5mm Pitch Battery

9155-100

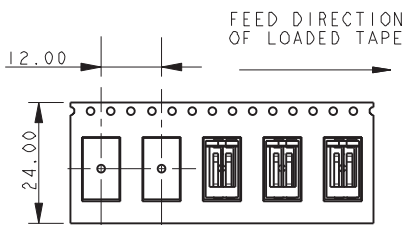
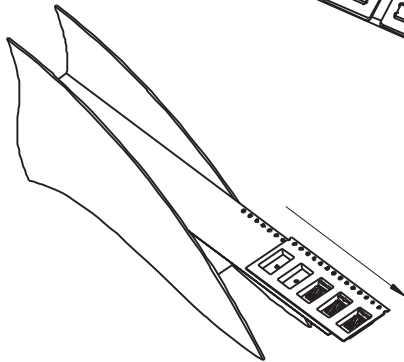
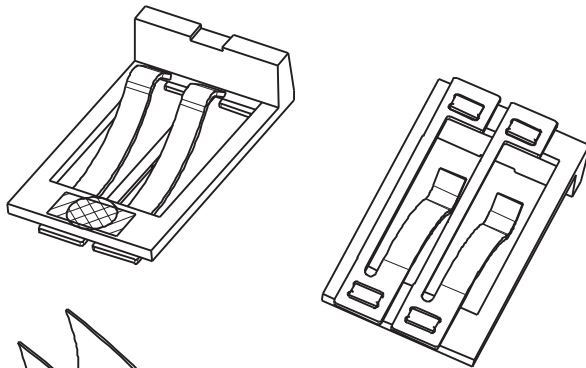
## 2 WAY LOW PROFILE CONNECTOR WITH STOP



**SECTION A-A**  
CONTACT UNDEFLECTED

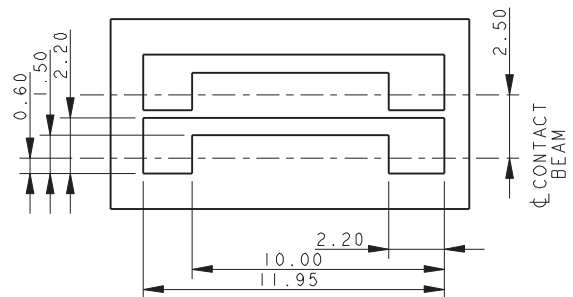
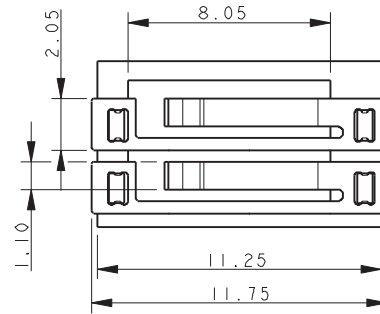
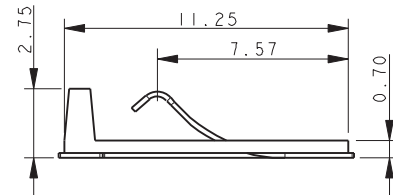
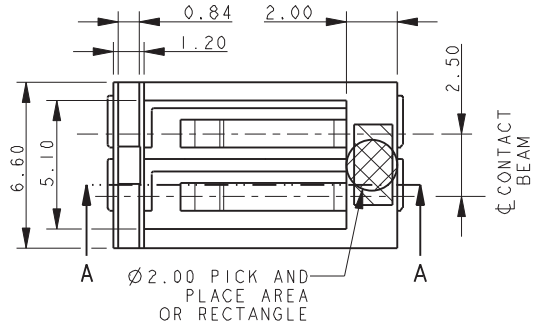


CONTACT SHOWN WITH STOP  
RESTING ON PCB



### PACKING DETAILS

REEL QTY	1500
LEADER	500MM
TRAILER	500MM



### SUGGESTED PCB LAYOUT

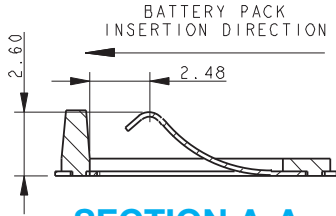
NOTES:

1. FOR FULL PRODUCT SPECIFICATION REFER TO ELCO SPECIFICATION 201-01-094.
2. MATERIALS: CONTACT - COPPER ALLOY, INSULATOR - GLASS FILLED NYLON. COLOR: BLACK.
3. TOLERANCE  $\pm 0.20$  UNLESS SPECIFIED.
4. PACKING DETAILS SEE TABLE.
5. FOR MATING PAD DETAILS REFER TO PAGE 103.

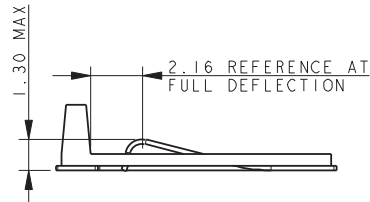
# Ultra-Low Profile 2.5mm Pitch Battery

9155-100

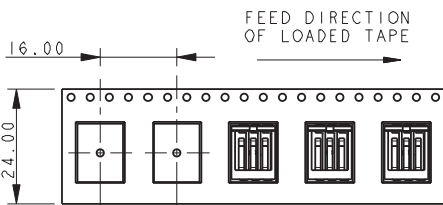
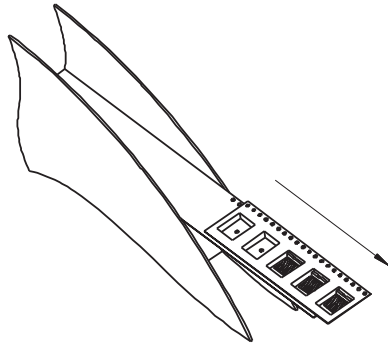
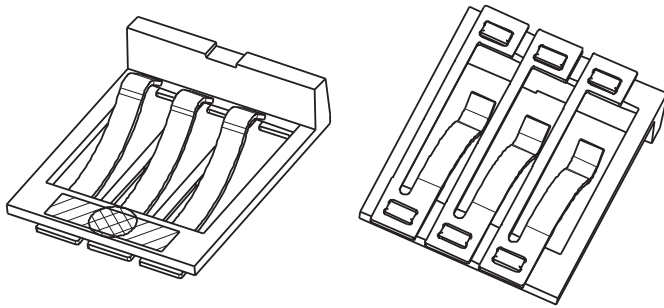
## 3 WAY LOW PROFILE CONNECTOR WITH STOP



**SECTION A-A**  
CONTACT UNDEFLECTED

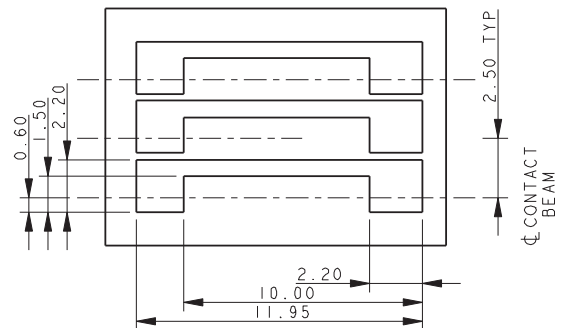
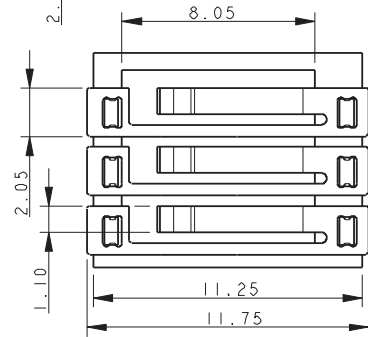
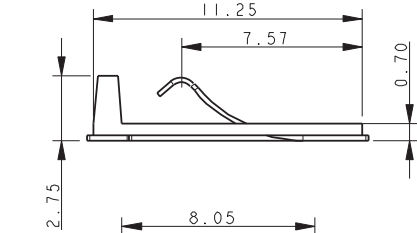
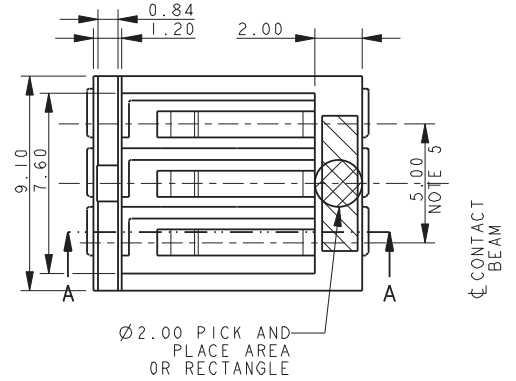


CONTACT SHOWN WITH STOP  
RESTING ON PCB



### PACKING DETAILS

REEL QTY	1200
LEADER	500MM
TRAILER	500MM



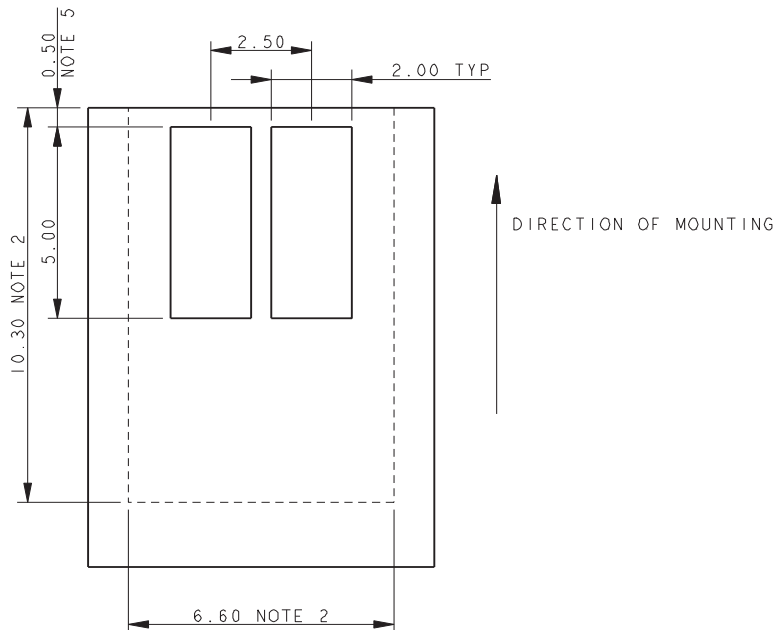
### SUGGESTED PCB LAYOUT

- NOTES:
- FOR FULL PRODUCT SPECIFICATION REFER TO ELCO SPECIFICATION 201-01-094.
  - MATERIALS: CONTACT - COPPER ALLOY, INSULATOR - GLASS FILLED NYLON. COLOR: BLACK.
  - TOLERANCE  $\pm 0.20$  UNLESS SPECIFIED.
  - PACKING DETAILS SEE TABLE.
  - 2 EQUAL PITCHES @ 2.50 = 5.00.
  - FOR MATING PAD DETAILS REFER TO PAGE 103.

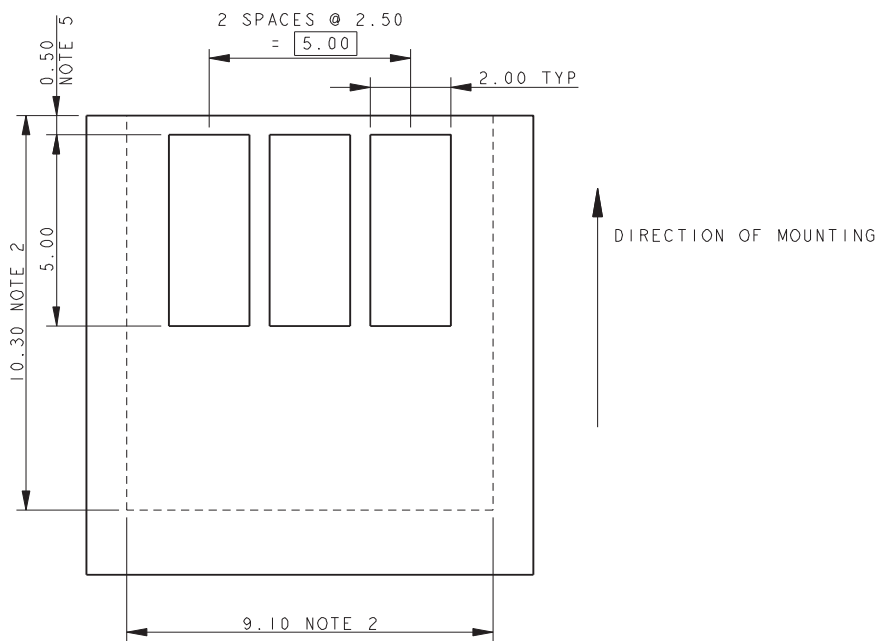
# Ultra-Low Profile 2.5mm Pitch Battery

9155-100

## LOW PROFILE MATING PADS



## 2 WAY MATING PADS



## 3 WAY MATING PADS

NOTES:

1. SUGGESTED MATING PADS FOR LOW PROFILE BATTERY CONNECTORS.
2. OUTLIE OF CONNECTOR.
3. PROFERED PLATING ON PADS GOLD OVER NICKEL.
4. REFERENCE DIMENSIONS.
5. DIMENSION TO EDGE OF BOARD FOR CONNECTORS WITH STOP.