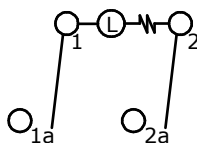


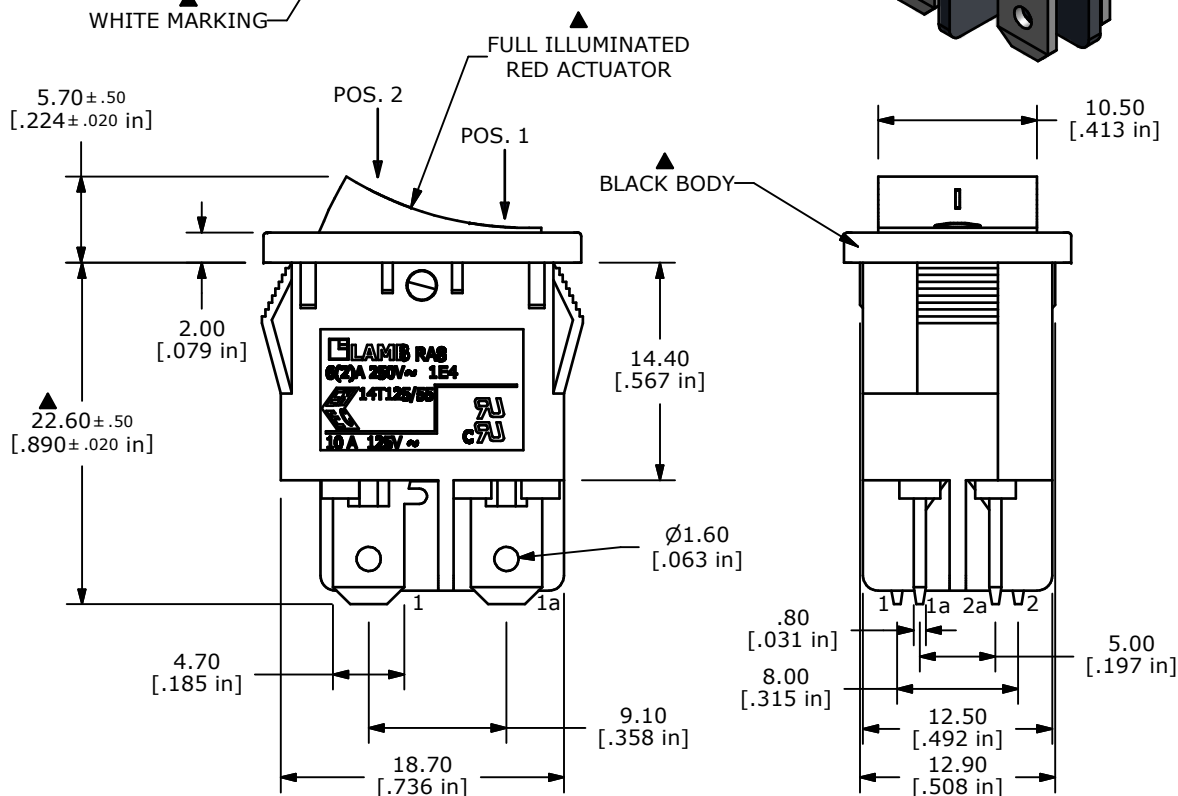
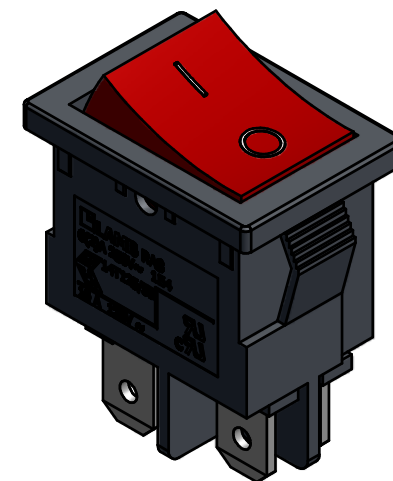
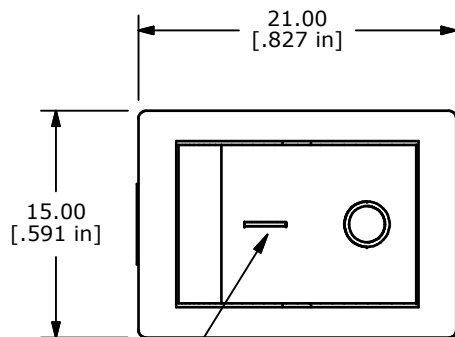
PANEL CUTOUT

PANEL THICKNESS	X
0.75 - 1.25	19.2
1.25 - 2.00	19.4
2.00 - 3.00	19.6



CIRCUIT: DPST

SWITCH FUNCTION	
POS. 1	POS. 2
OFF	ON
OPEN	1-1a, 2-2a



- NOTE:
1. DIMENSIONS IN MM [INCH]
  2. GENERAL TOLERANCE: X.X = ± 0.4  
X.XX = ± 0.25
  3. TERMINAL NUMBERS FOR REF ONLY
  4. CONTACT MATERIAL: SILVER
  5. CONTACT RATINGS: 10A @ 125VAC [UR, cUR]  
6(2)A 250V~ 1E4 T85 [ENEC]
  6. CONTACT RESISTANCE: 35mΩ MAX. @ 50VAC
  7. INSULATION RESISTANCE: 500MΩ MIN. @ 500VAC
  8. DIELECTRIC STRENGTH: 1,500VAC FOR 1 MINUTE
  9. ELECTRICAL LIFE: 6,000 CYCLES [UR, cUR]  
10,000 CYCLES [ENEC]
  10. OPERATING TEMPERATURE: -20°C TO 105°C [UR, cUR]  
-20°C TO 125°C [ENEC]
  11. ▲ DENOTES CRITICAL PARAMETER
  12. 2002/95/EC (ROHS) COMPLIANT
  - ▲13. LAMP VOLTAGE: 125V



TITLE RA81231021-116				
SCALE	DATE 6/28/2013	DR EBP	DWG 38-RA81231021116	REV A

A	21165	RELEASE FOR PRODUCTION	6/28/13	EBP
REV	PCR NO	DESCRIPTION	DATE	BY
THE INFORMATION CONTAINED IN THIS DOCUMENT IS PROPRIETARY TO E-SWITCH AND IS NOT TO BE COPIED OR TRANSFERRED				