

DETAILS

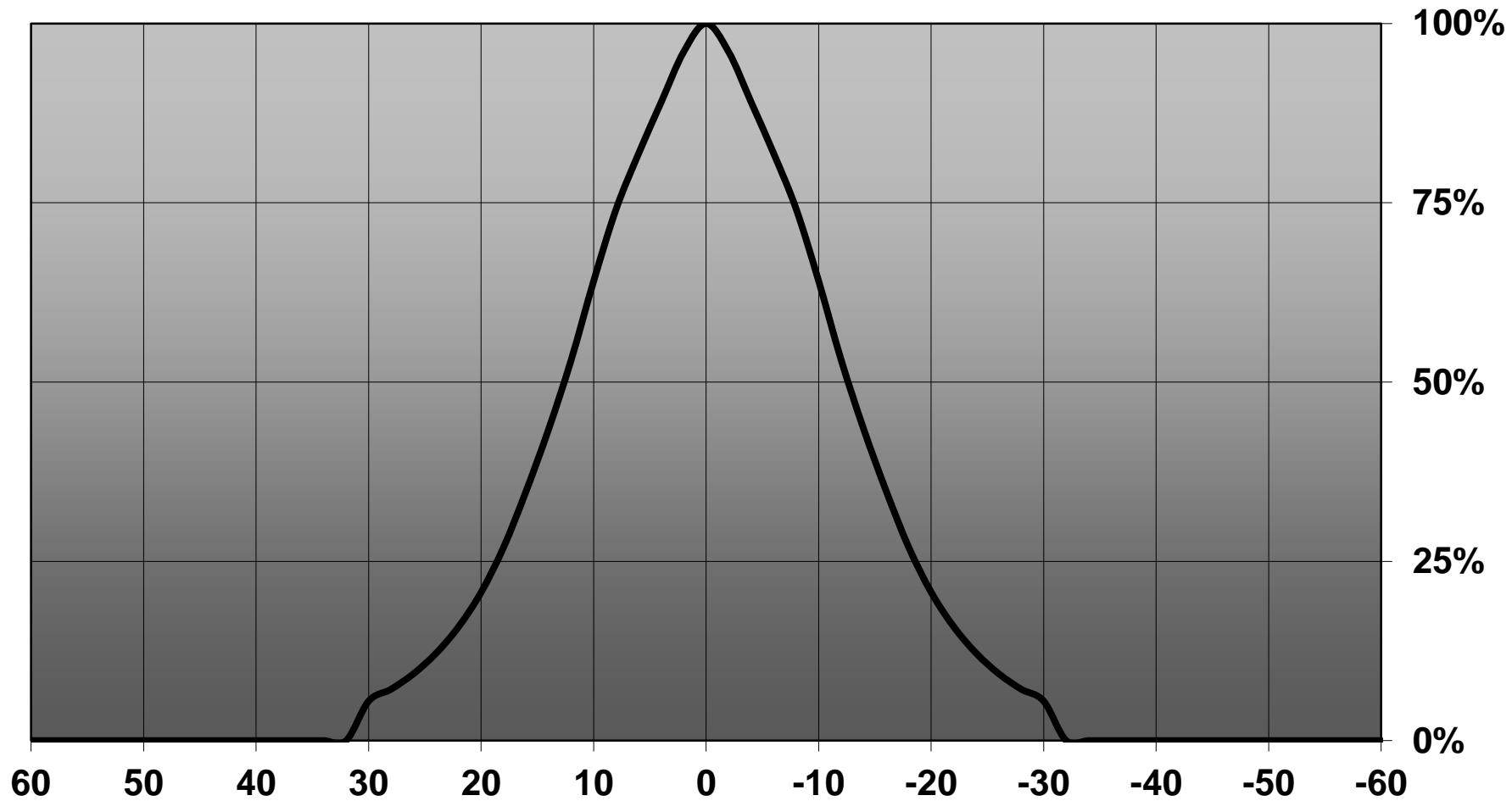
Product Number	FCA14405_G2-NIS033U-M
Family	Rose
Type	Assembly
Color	black
Diameter	21,6 + 21,6 mm
Height	12,9 mm
Style	square
Optic Material	Silicone
Holder Material	
Fastening	tape
Status	production ready
ROHS Compliant	Yes
Date Updated	17/01/2018



OPTICAL PROPERTIES

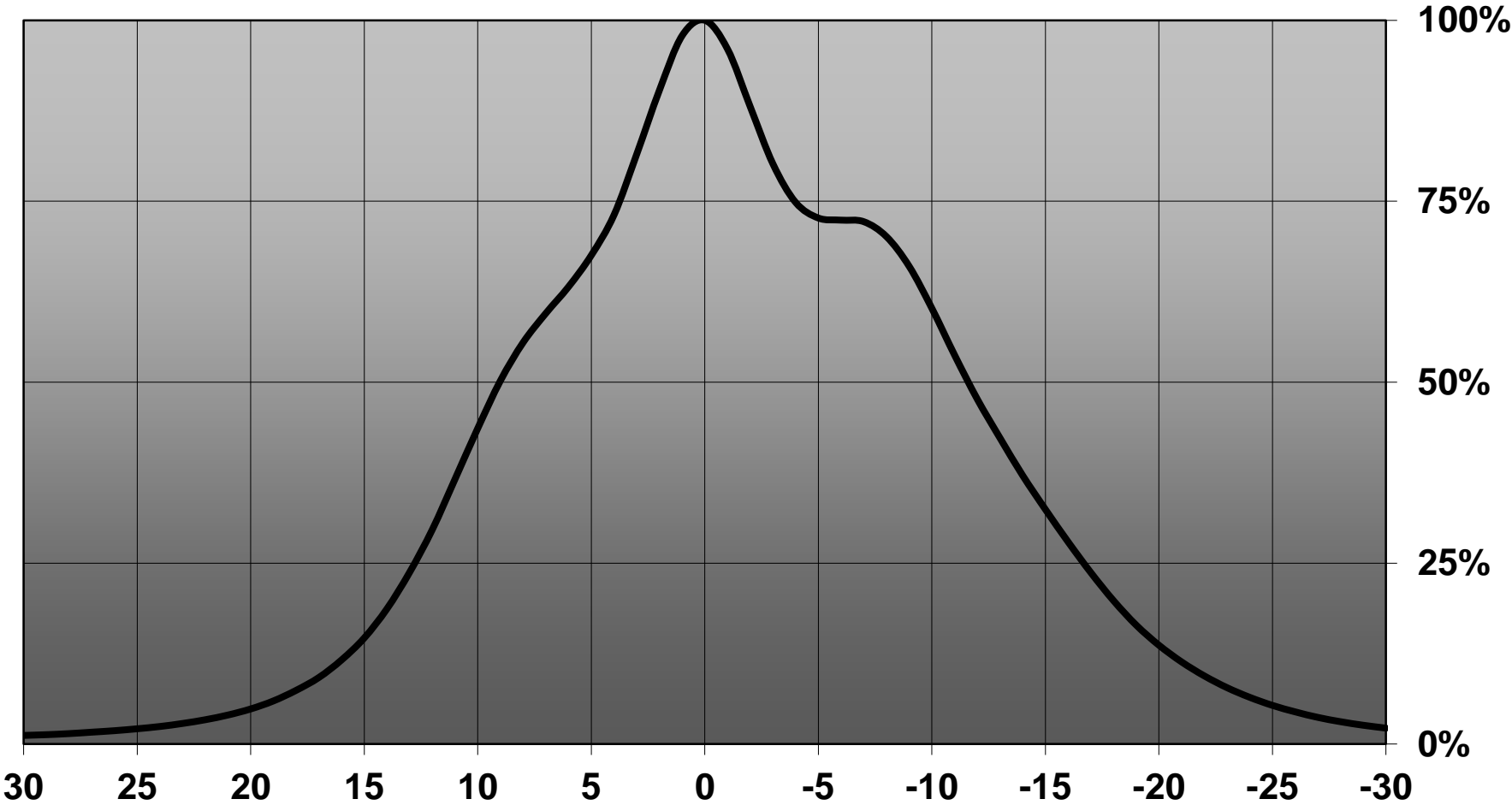
LED	Viewing	Light	Effi-		Connector
	Angle	Beam	ciency	cd/lm	
6868 4in1 (UV)	25 deg	Medium	-	-	-
NCSU034B	21 deg	Medium	93 %	-	-
NCSU033B	24 deg	Medium	sim: 93 %	-	-
NC4U133A	25 deg	Medium	90 %	-	-
NC4U134A	27 deg	Medium	90 %	-	-
NVSU333A	26 deg	Medium	-	-	-

Relative intensity of FCA14405_G2-NIS033U-M_LG_6868_4in1)



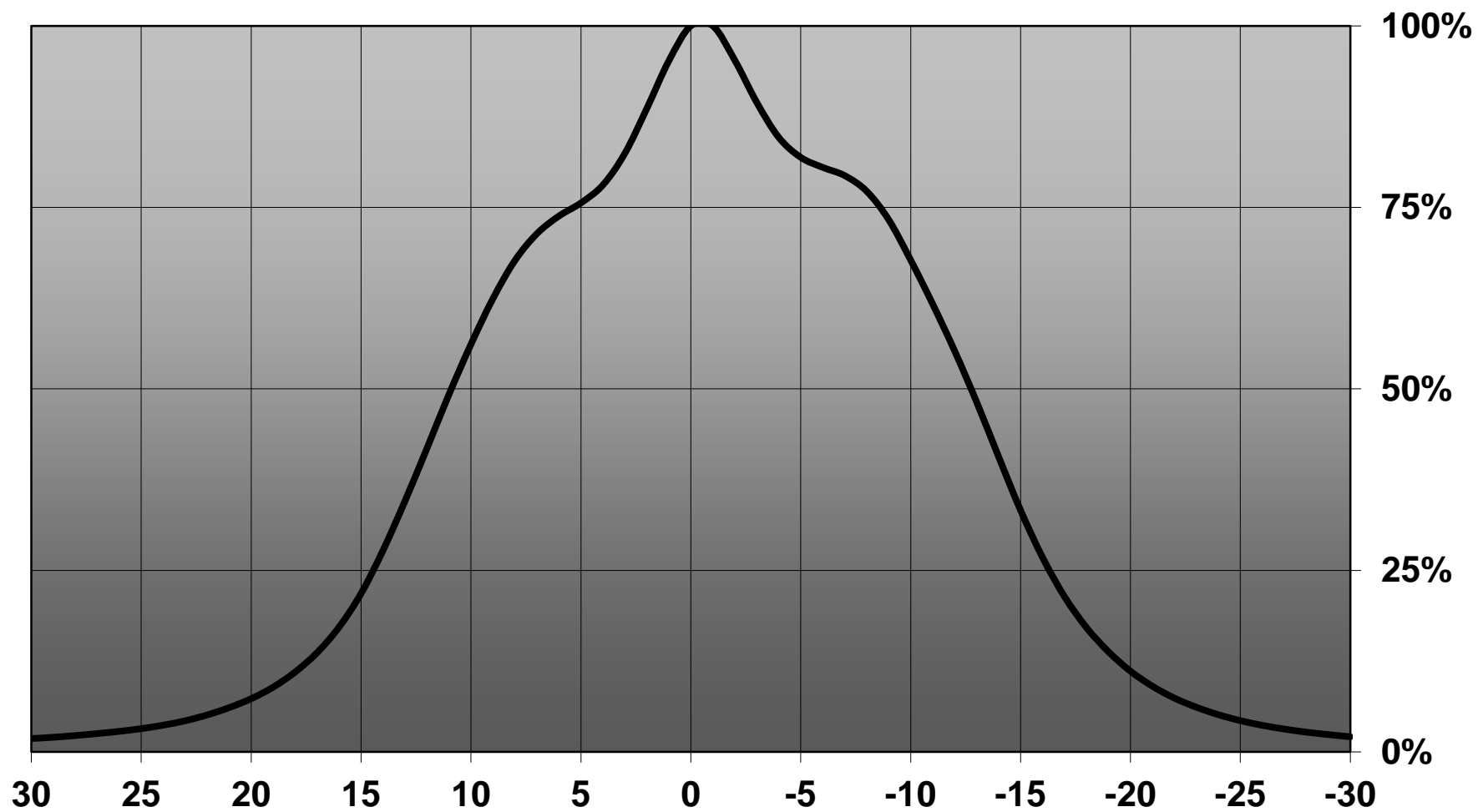
— 0,041 W/m² @ 100mA

Relative intensity of FCA14405_G2-NIS033U-M_(NCSU034B)

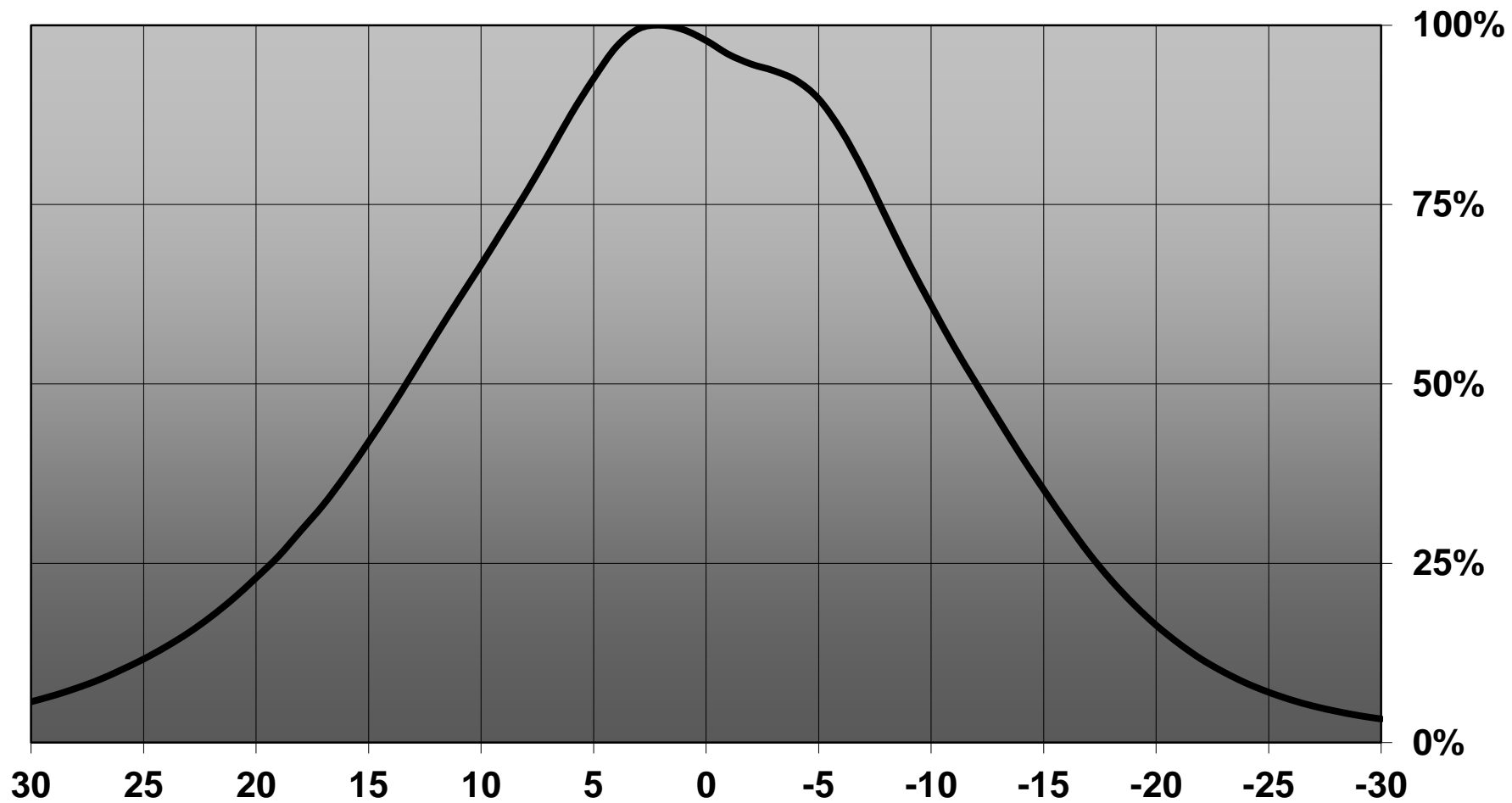


—1

Relative intensity of FCA14405_G2-NIS033U-M_(NCSU033BE)

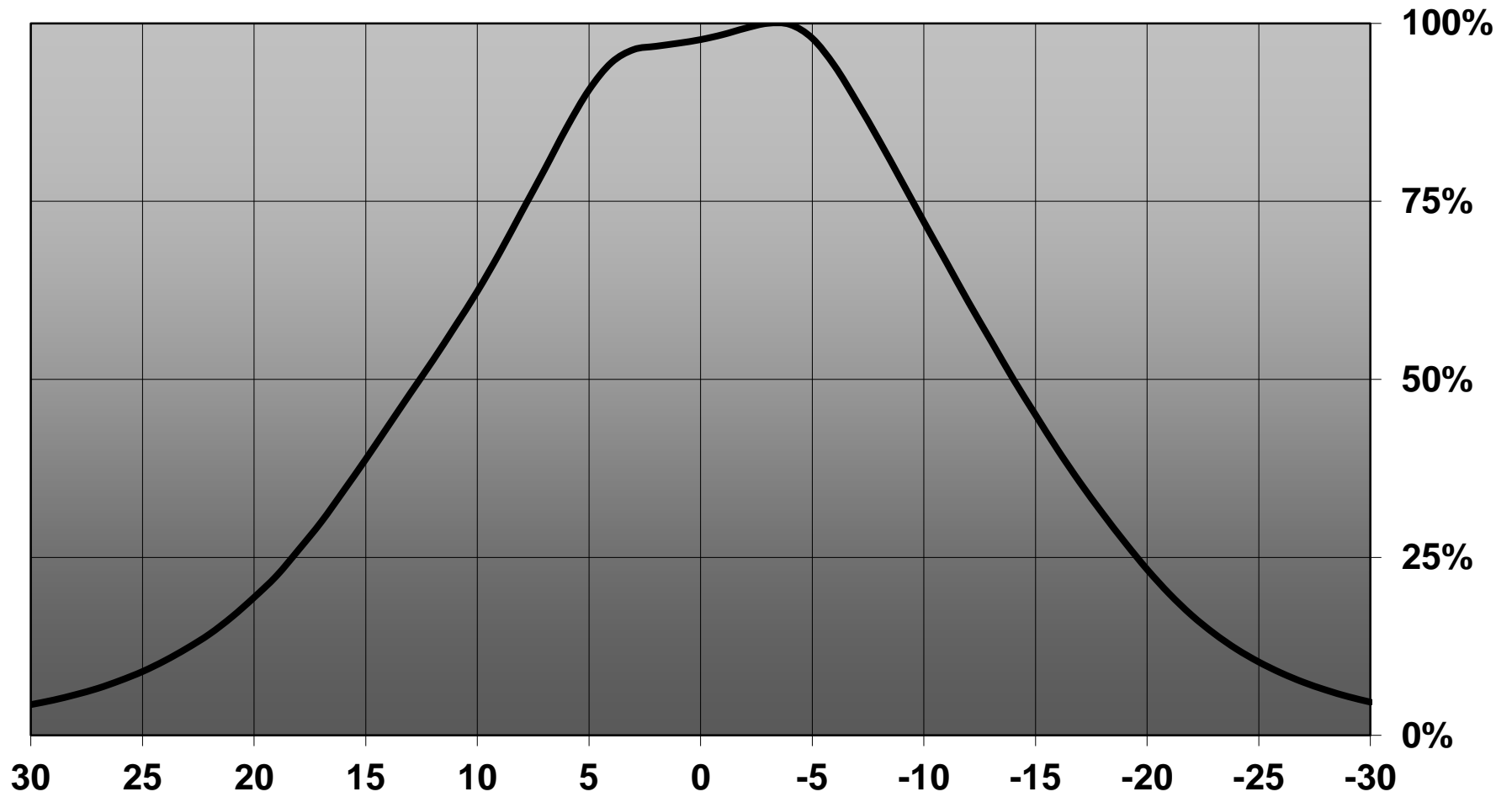


Relative intensity of FCA14405_G2-NIS033U-M_(NC4U133A)



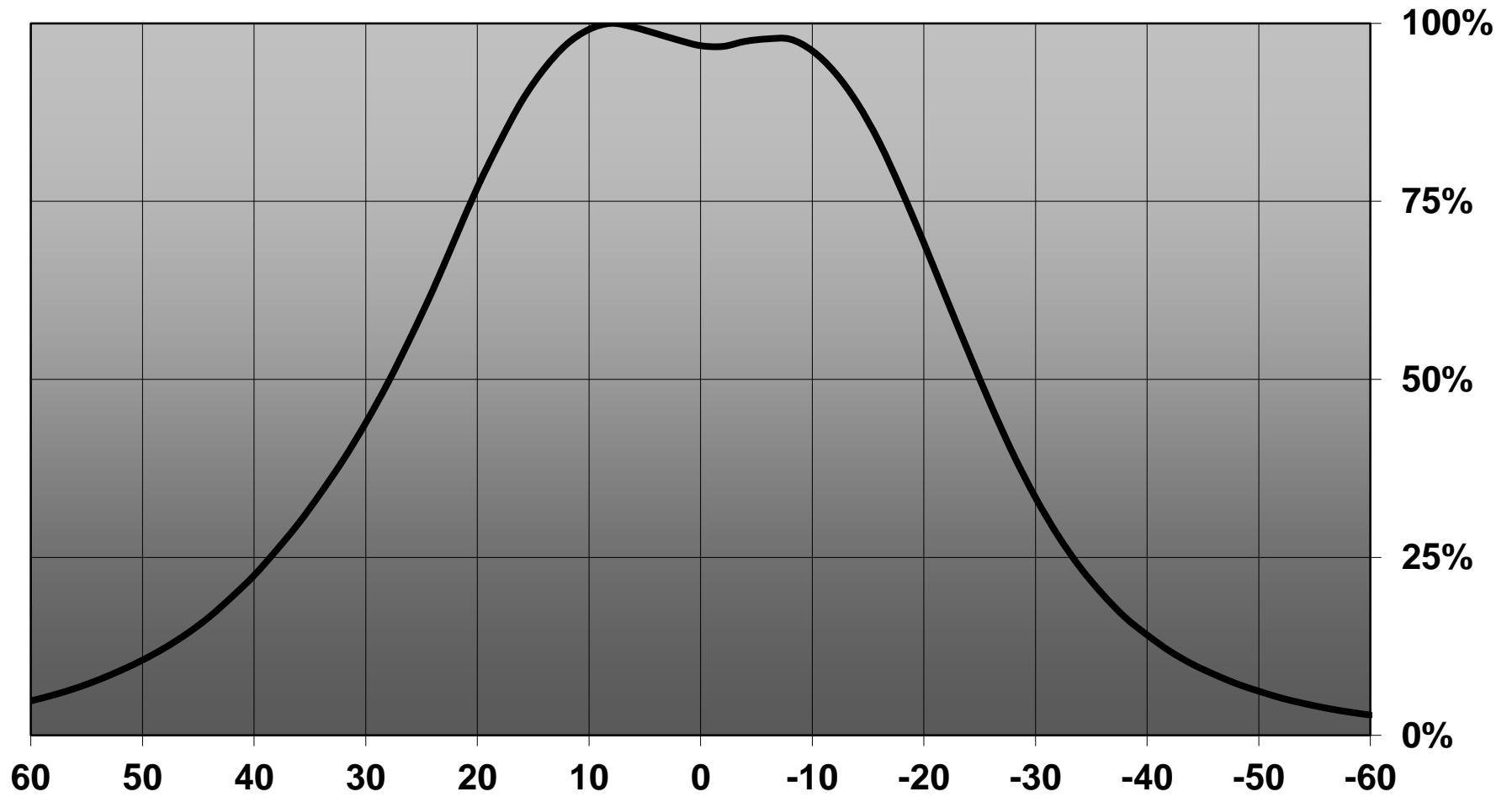
—1

Relative intensity of FCA14405_G2-NIS033U-M_(NC4U134A)



—1

Relative intensity of FCA14405_G2-NIS033U-M_(NSVU333A 365nm)



H G F E D C B A

4

3

2

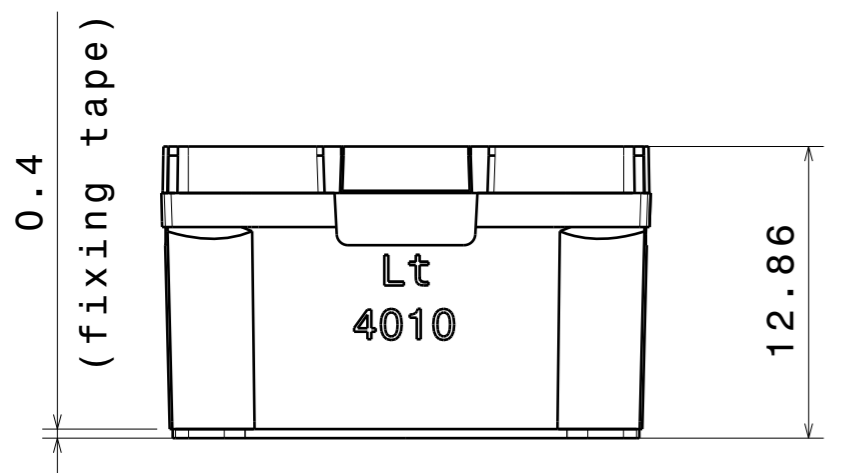
1

4

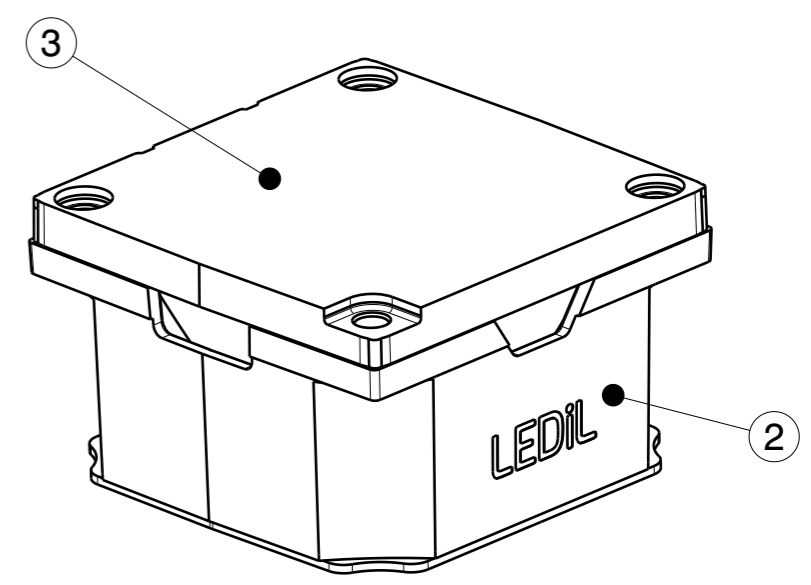
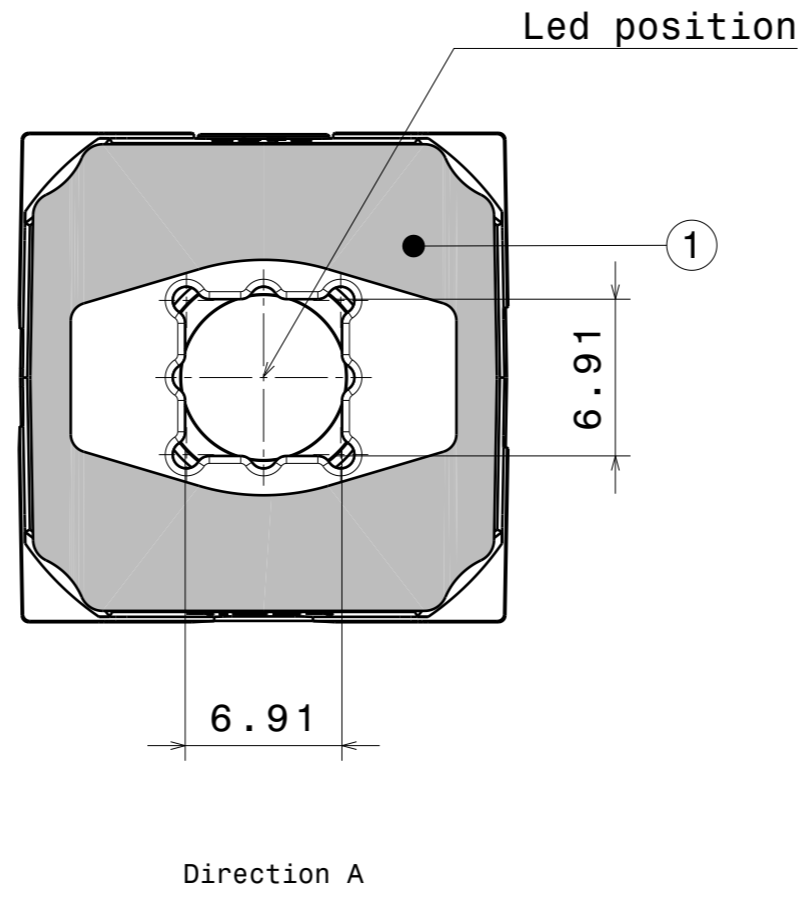
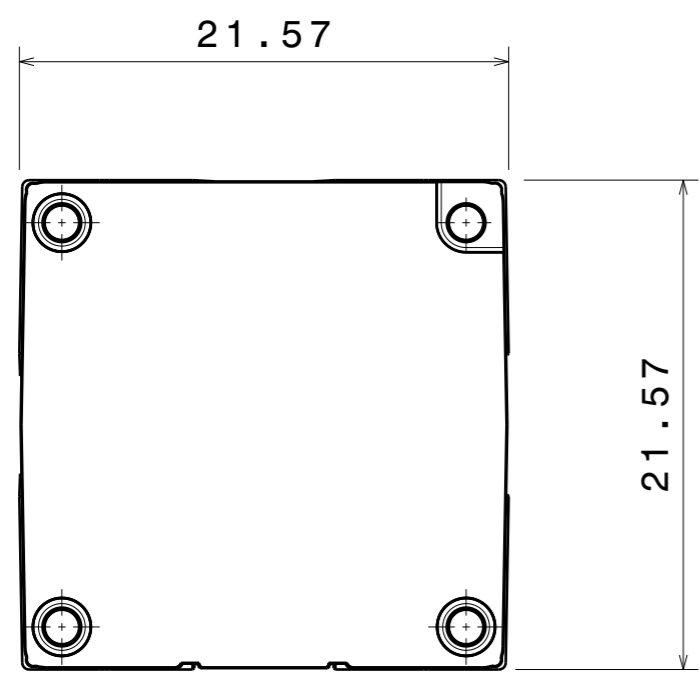
3

2

1



A



INDEX	PART NO	DESCRIPTION	MATERIAL	COLOUR
1	C15050	ROSE-TAPE	PU 2-sided foam tape	adhesive
2	C14010	ROSE-LT-HLD-I-BLK	Pc	black
3	F14404	ROSE-UV-M	LSR	clear

Tolerances if not otherwise shown
According to DIN ISO 2768-1
Linear measures:
up to 30mm class M, otherwise class C
According to DIN ISO 2768-2
Form and position: class L

LEDiL Ledil Oy
Salorankatu 10
FIN 24240 SALO
Finland

THIRD ANGLE PROJECTION:

DRAWING TITLE
FCA14405_G2-NIS033U-M

This drawing is the property of LEDiL Oy. It may not be reproduced, copied or communicated without a written agreement with LEDiL Oy.

SIZE PART NUMBER
A3 FCA14405

SCALE 3:1 WEIGHT 4,6 g SHEET 1/1

H G B A

NOTE: The typical divergence will be changed by different color, chip size and chip position tolerance. The typical total divergence is the full angle measured where the luminous intensity is half of the peak value.