

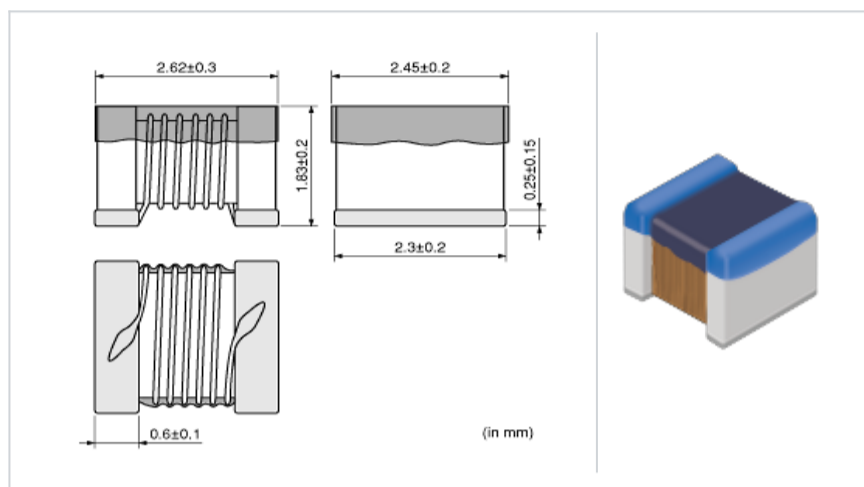
LQW2UAS22NG00#

" # " indicates a package specification code.

In Production
General
125 °C
Wound (No Shield) 000
Tight Tolerance
Reflow OK
RoHS
REACH

< List of part numbers with package codes >
 LQW2UAS22NG00L , LQW2UAS22NG00B

Shape



L size	2.62 ± 0.3mm
W size	2.45 ± 0.2mm
T size	1.83 ± 0.2mm
Size code in inch (mm)	1008 (2520)

Specifications

Inductance	22nH ± 2%
Inductance test frequency	50MHz
Rated current (Itemp) (Based on Temperature rise)	1000mA
Max. of DC resistance	0.12
Q (min.)	55
Q test frequency	350MHz
Self resonance frequency (min.)	2400MHz
Operating temperature range (Self-temperature rise is not included)	-55 ~ 125

References

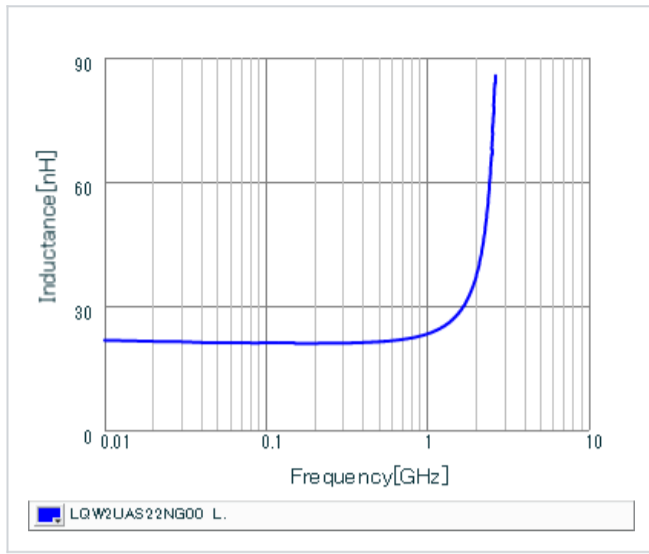
Packaging code	Specifications	Minimum quantity
L	180mm Embossed taping	2000
B	Packing in bulk	500

Mass (Typ.)	
1 piece	0.039g

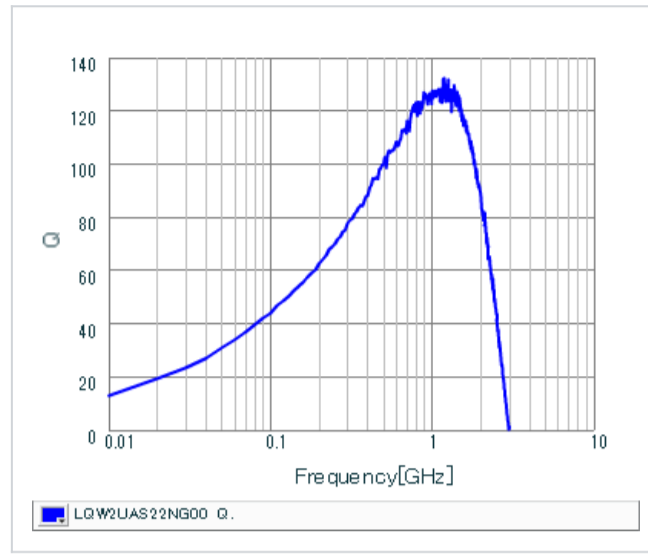
⚠ Attention

- This datasheet is downloaded from the website of Murata Manufacturing Co., Ltd. Therefore, it's specifications are subject to change or our products in it may be discontinued without advance notice. Please check with our sales representatives or product engineers before ordering.
- This datasheet has only typical specifications because there is no space for detailed specifications. Therefore, please review our product specifications or consult the approval sheet for product specifications before ordering.

▪ Inductance-Frequency characteristics (Typ.)



▪ Q-Frequency characteristics (Typ.)



This PDF data has only typical specifications because there is no space for detailed specifications. Therefore, please review our product specifications or consult the approval sheet for product specifications before ordering.