

MPCA SERIES

For AC line, Rectangular Type

◆FEATURES

- For electrical equipment.
- Reliability is excellent because these capacitors provide self-healing.
- High isolation and low loss of polypropylene film used.
- Flat metal terminals.
- RoHS compliance.

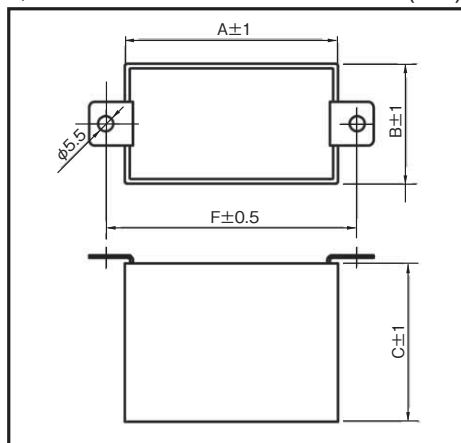


◆SPECIFICATIONS

Category Temperature Range	-25°C~+70°C
Rated Voltage	220Vac, 275Vac, 480Vac
Capacitance	1µF~100µF
Capacitance Tolerance	±5%(J), -5%~+10%(U), ±10%(K)
tanδ	0.003Max (1KHz 25°C±5°C)
Voltage Proof	Between the terminals : Rated Voltage x 1.75 10s
	Between the terminal and case : 2000Vac 10s
Insulation Resistance	6000 Ω·F (20°C 120s 500Vdc)
Case	PBT·PPS Resin
Filling Resin	Epoxy Resin
Reference Standard	JIS C 4908

◆OUTLINE

(mm)



◆PART NUMBER

□□□
MPCA
□□□
□
R99
L
 Rated Voltage Series Capacitance Capacitance Tolerance Option Terminal Code

◆STANDARD SIZE
:Capacitance Tolerance

Rated Voltage	Cap(μF)	Cap Tolerance(%)	Dimensions (mm)				Part No.
			A	B	C	F	
220 Vac	1	J (±5%) U (-5%~+10%) K (±10%)	37	15	29	52	220MPCA105□R99L
	2		37	15	29	52	220MPCA205□R99L
	3		37	15	29	52	220MPCA305□R99L
	4		37	15	29	52	220MPCA405□R99L
	5		37	19	32.5	52	220MPCA505□R99L
	6		37	19	32.5	52	220MPCA605□R99L
	7		48	18	30	62	220MPCA705□R99L
	8		48	18	30	62	220MPCA805□R99L
	9		48	18	30	62	220MPCA905□R99L
	10		48	22	35	62	220MPCA106□R99L
	12		48	22	35	62	220MPCA126□R99L
	14		48	24	38	62	220MPCA146□R99L
	16		58	26	40	72	220MPCA166□R99L
	18		58	26	40	72	220MPCA186□R99L
	20		58	26	40	72	220MPCA206□R99L
	30		58	34	49	72	220MPCA306□R99L
	40		58	34	49	72	220MPCA406□R99L
	50		78	44	58	92	220MPCA506□R99L
60	78	44	58	92	220MPCA606□R99L		
70	78	44	58	92	220MPCA706□R99L		
80	78	44	58	92	220MPCA806□R99L		
90	78	44	58	92	220MPCA906□R99L		
100	78	44	58	92	220MPCA107□R99L		
275 Vac	1	J (±5%) U (-5%~+10%) K (±10%)	37	15	29	52	275MPCA105□R99L
	2		37	15	29	52	275MPCA205□R99L
	3		37	19	32.5	52	275MPCA305□R99L
	4		37	19	32.5	52	275MPCA405□R99L
	5		48	18	30	62	275MPCA505□R99L
	6		48	22	35	62	275MPCA605□R99L
	7		48	22	35	62	275MPCA705□R99L
	8		48	24	38	62	275MPCA805□R99L
	9		48	24	38	62	275MPCA905□R99L
	10		58	26	40	72	275MPCA106□R99L
	12		58	26	40	72	275MPCA126□R99L
	14		58	26	40	72	275MPCA146□R99L
	16		58	30	44	72	275MPCA166□R99L
	18		58	30	44	72	275MPCA186□R99L
	20		58	30	44	72	275MPCA206□R99L
	30		78	44	58	92	275MPCA306□R99L
	40		78	44	58	92	275MPCA406□R99L
	50		78	44	58	92	275MPCA506□R99L
480 Vac	1	J (±5%) U (-5%~+10%) K (±10%)	37	19	32.5	52	480MPCA105□R99L
	2		48	22	35	62	480MPCA205□R99L
	3		58	26	40	72	480MPCA305□R99L
	4		58	26	40	72	480MPCA405□R99L
	5		58	30	44	72	480MPCA505□R99L
	6		58	30	44	72	480MPCA605□R99L
	7		58	34	49	72	480MPCA705□R99L
	8		58	34	49	72	480MPCA805□R99L
	9		78	44	58	92	480MPCA905□R99L
	10		78	44	58	92	480MPCA106□R99L
	12		78	44	58	92	480MPCA126□R99L

•Different capacitance and rated voltage item is available. For details, please consult our sales offices.