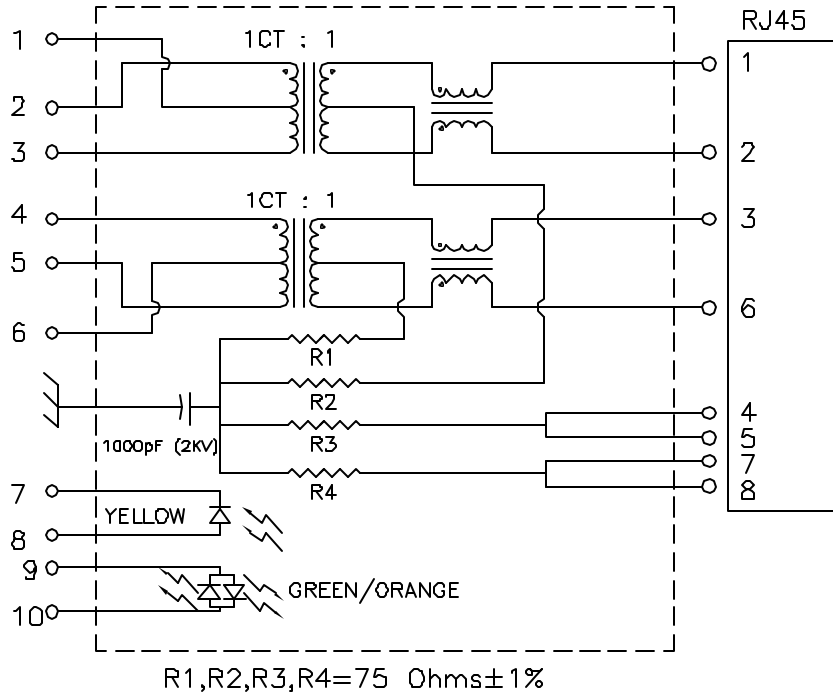


1. Schematic:



2. Electrical Specifications: @25°C

- Isolation Voltage: 1500 Vrms PRI to SEC
- Isolation Voltage: 500 Vrms (P1+2+3 to P4+5+6)
- RJ1-RJ2, RJ3-RJ6 OCL: 350uH Min. @100KHz 100mV 8mADC
- INSERTION LOSS: -1.0dB Max @1MHz - 100MHz
- Return Loss : -18dB Min @1-30MHz
 18-20log Min (f/30MHz) @30MHz-60MHz
 -12dB Min @60MHz-80MHz
- Crosstalk: -70dB Min @1MHz
 -45dB Min @30MHz
 -40dB Min @50MHz
 -35dB Min @100MHz
- Common to Differential Mode Rejection: -40dB Min @100KHz-100MHz
- Common to Common Mode Rejection: -30dB Min @100KHz-100MHz

Notes:

1. Solderability: Leads shall meet MIL-STD-202C, Method 208H for solderability.
2. Flammability: UL94V-0
3. ASTM oxygen index: > 28%
4. Insulation System: Class F 155°C. UL file E151556
5. Operating Temperature Range: All listed parameters are to be within tolerance from -40°C to +85°C
6. Storage Temperature Range: -55°C to +125°C
7. Aqueous wash compatible
8. Electrical and mechanical specifications 100% tested
9. RoHS Compliant Component

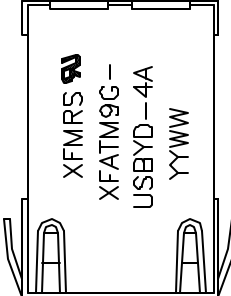
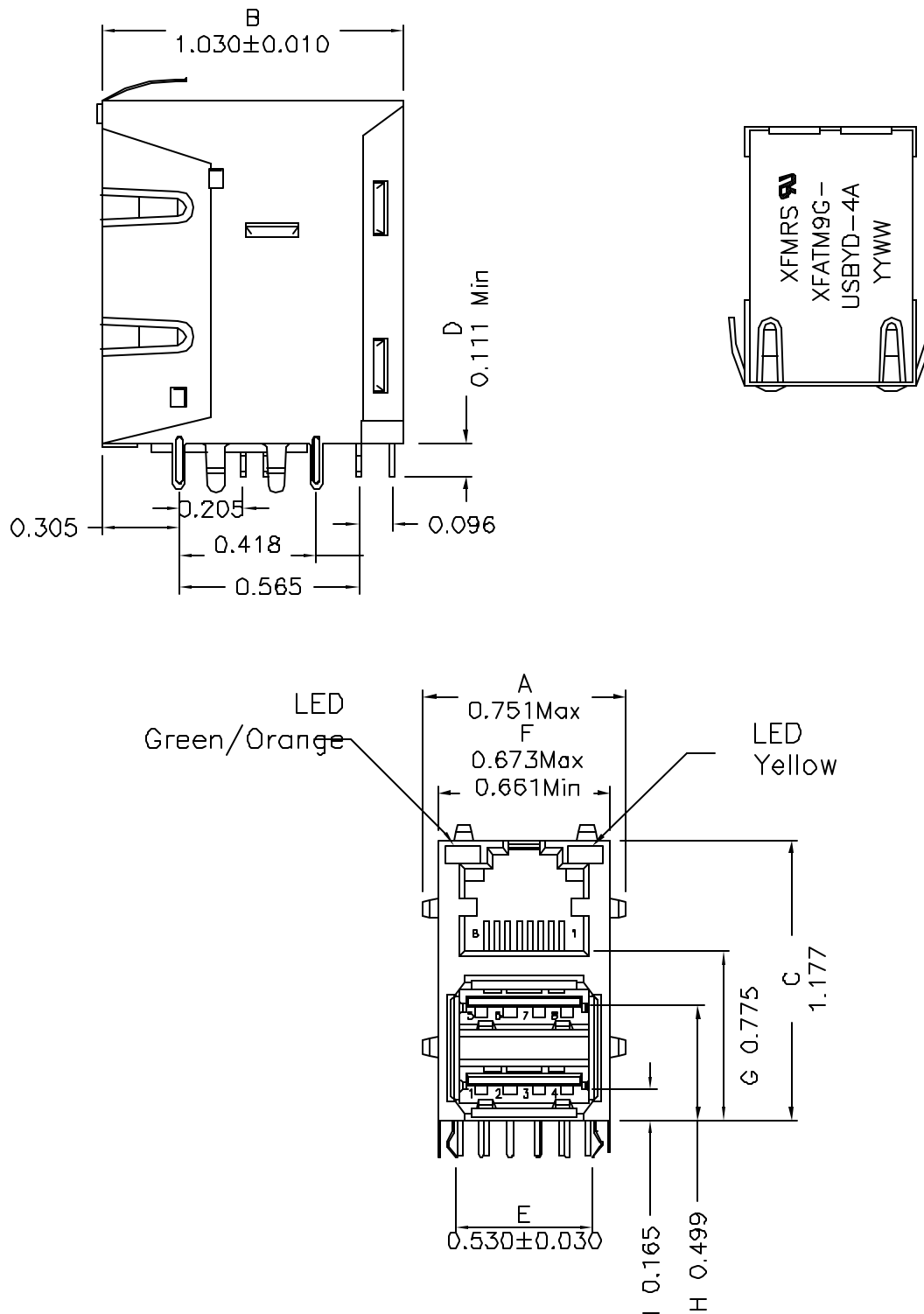
DOC. REV A/1

XFMRS Inc. www.XFMRS.com	Title: STACKED RJMAG USB COMBO			
	UNLESS OTHERWISE SPECIFIED TOLERANCES: .xxx ±0.010 Dimensions in Inch	P/N:XFATM9G-USBYD-4A	REV. A	
SHEET 1 OF 3	DWN.	Juan Mao	Aug-18-06	
	CHK.	YK Liao	Aug-18-06	
	APP.	YK Liao	Aug-18-06	

PROPRIETARY:

Document is the property of XFMRS Group & is not allowed to be duplicated without authorization.

3. Mechanical Dimensions:



DOC. REV. A/1

XFMR5 Inc.
www.XFMR5.com

Title: Mechanical Dimensions
For STACKED RJMAG USB COMBO

UNLESS OTHERWISE SPECIFIED
TOLERANCES:
.xxx ±0.010
Dimensions in Inch

P/N: XFATM9G-USBYD-4A

REV. A

DWN.

Juan Mao

Aug-18-06

CHK.

YK Liao

Aug-18-06

APP.

BW

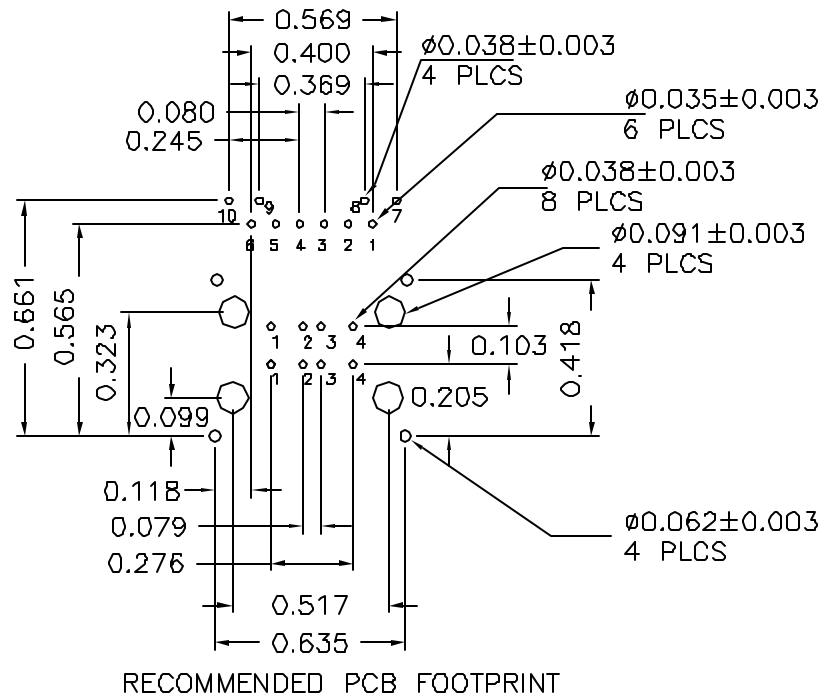
Aug-18-06

SHEET 2 OF 3

PROPRIETARY:

Document is the property of XFMR5 Group & is not allowed to be duplicated without authorization.

3. Mechanical Dimensions (cont.):



DOC. REV. A/1

XFMRs Inc.
www.XFMRs.com

Title: Mechanical Dimensions
For STACKED RJMAG USB COMBO

UNLESS OTHERWISE SPECIFIED
TOLERANCES:
.xxx ±0.010
Dimensions in Inch
SHEET 3 OF 3

P/N: XFATM9G-USBYD-4A	REV. A
DWN. Juan Mao	Aug-18-06
CHK. YK Liao	Aug-18-06
APP. BW	Aug-18-06

PROPRIETARY:

Document is the property of XFMRs Group & is not allowed to be duplicated without authorization.