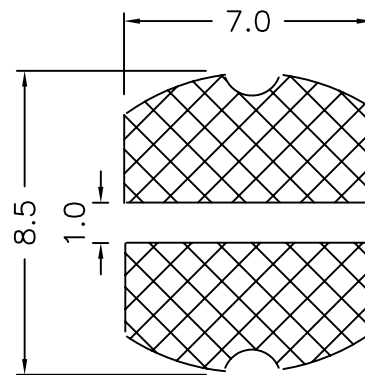
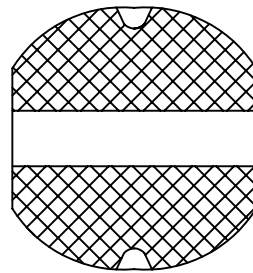
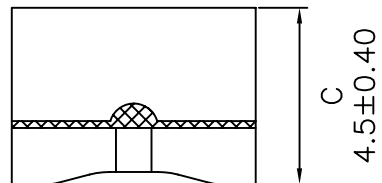
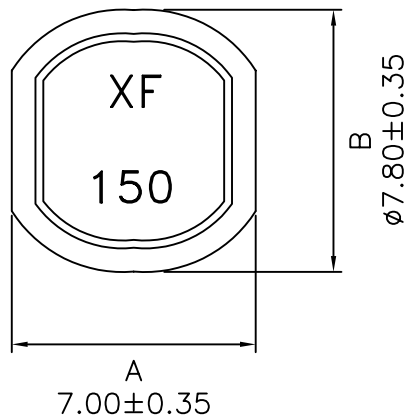
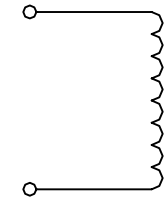


1. Mechanical Dimensions:



PAD LAYOUT

2. Schematic:



3. Electrical Specifications:

OCL: 15uH±20% @1KHz 1.0V

DCR: 0.096 Ohms Max

IDC: 1.39Adc Max

Notes:

1. Solderability: Leads shall meet MIL-STD-202, Method 208D for solderability.
2. Flammability: UL94V-0
3. ASTM oxygen index: > 28%
4. Insulation System: Class F 155°C. UL file E151556
5. Operating Temperature Range: All listed parameters are to be within tolerance from -40°C to +85°C
6. Storage Temperature Range: -55°C to +125°C
7. Aqueous wash compatible

XFMRs Inc	Title: XFSDR74SH SERIES INDUCTORS		
	UNLESS OTHERWISE SPECIFIED	P/N: XFSDR74SH-150M	REV. A
TOLERANCES: .xx ±0.25	DWN.	Juan Mao	Apr-27-04
Dimensions in MM	CHK.	YK Liao	Apr-27-04
SHT 1 OF 1	APP.	MS	Apr-27-04

DOC REV: A/1

PROPRIETARY

Document is the property of XFMRs Group & is not allowed to be duplicated without authorization.