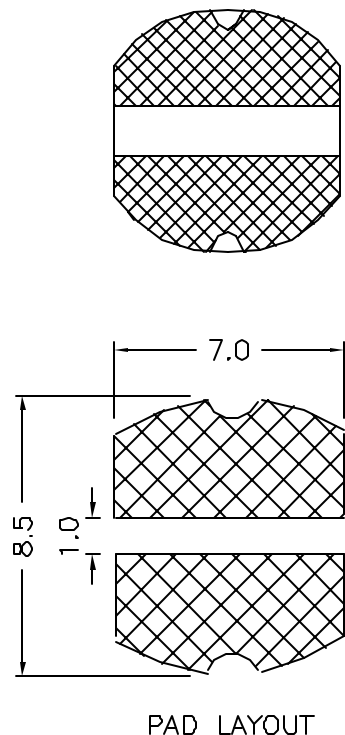
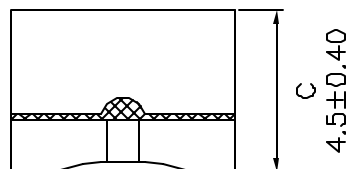
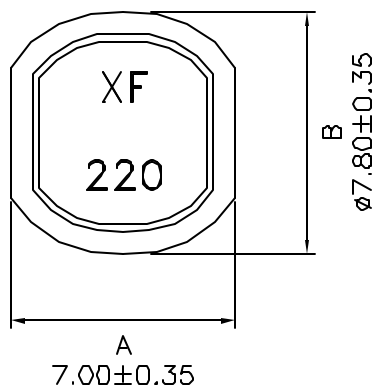
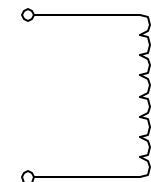


## 1. Mechanical Dimensions:



## 2. Schematic:



## 3. Electrical Specifications:

OCL:  $22.0 \mu\text{H} \pm 20\%$  @1KHz 1.0V

DCR: 0.156 Ohms Max

IDC: 1.12Adc Max

### Notes:

1. Solderability: Leads shall meet MIL-STD-202G, Method 208H for solderability.
2. Flammability: UL94V-0
3. ASTM oxygen index: > 28%
4. Insulation System: Class F 155°C. UL file E151556
5. Operating Temperature Range: All listed parameters are to be within tolerance from -40°C to +85°C
6. Storage Temperature Range: -55°C to +125°C
7. Aqueous wash compatible
8. SMD Lead Coplanarity:  $\pm 0.004$  (0.102mm)
9. Electrical and mechanical specifications 100% tested
10. RoHS Compliant Component

DOC REV: B/3

**PROPRIETARY**

Document is the property of XFMRS Group & is not allowed to be duplicated without authorization.

<b>XFMRS Inc</b> www.XFMRS.com		Title: XFSDR74SH SERIES INDUCTORS	
UNLESS OTHERWISE SPECIFIED TOLERANCES: N/A Dimensions in MM	P/N: XFSDR74SH-220M	REV. B	
	DWN.	罗振江	Sep-29-06
	CHK.	廖玉坤	Sep-29-06
SHT 1 OF 1	APP.	BW	Sep-29-06