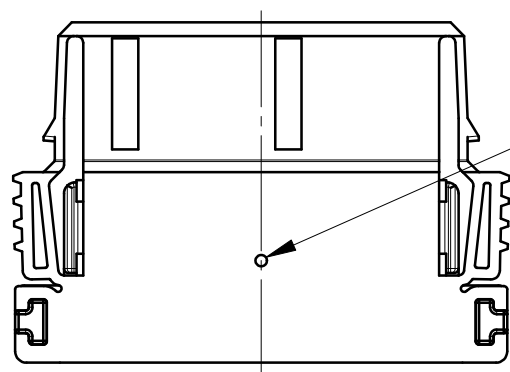
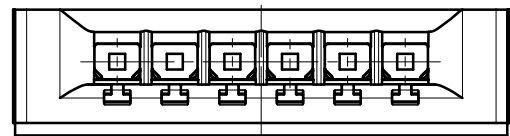
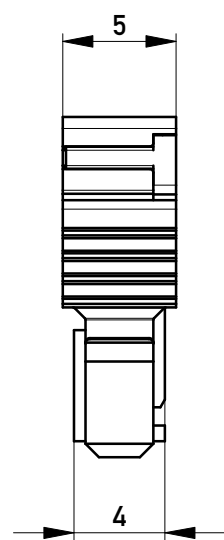
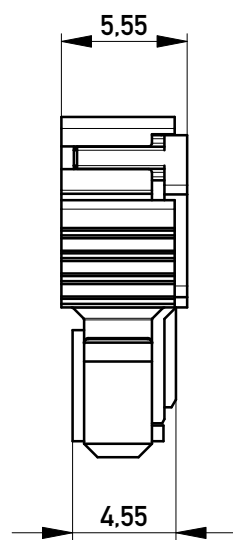
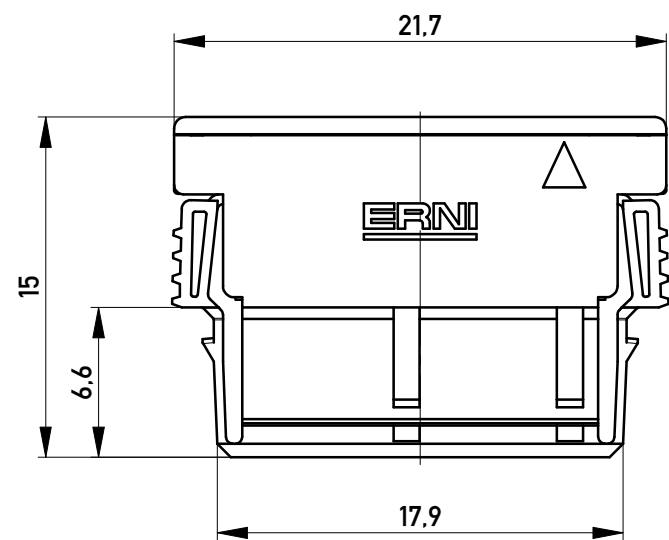


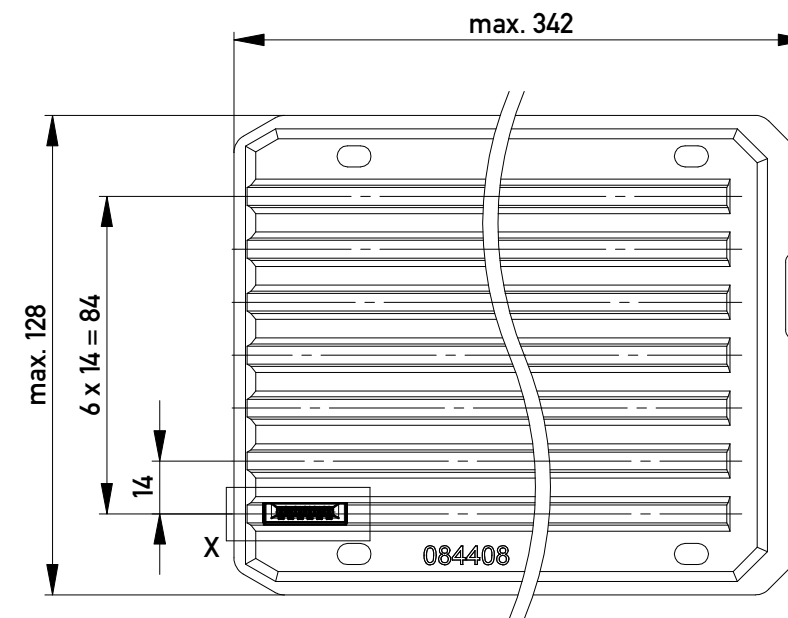
Abdeckung vorverrastet
cover loose mounted

Abdeckung verpresst
cover pressed on

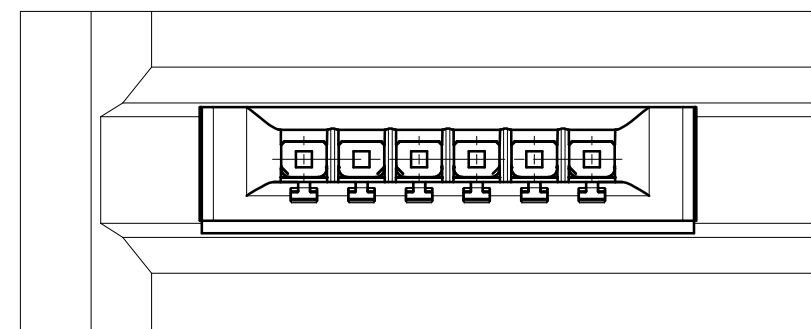


Kennzeichnung für weicheren Hebel
Labeling for softer lever

Verpackt in Tray - tray packaging
Verpackungseinheit 98 Stück - packaging unit 98



Einzelheit X
detail X



mit weicherem Hebel
with softer lever

Information: Codierung schwarz - coding black	Tolerances All Dimensions in mm	Scale	3:1
		Designation F 2,54 SRC-A, 6-p. BA 2, mod.	
All rights reserved. Only for Information. To ensure that this is the latest version of this drawing, please contact one of the ERNI companies before using.	Subject to modification without prior notice. Drawing will not be updated.	www.ERNI.com	
		Index	Date
d 27.05.2015	Date	106002070001	K A3

Copyright by ERNI Production GmbH & Co. KG
Proprietary notice pursuant to ISO 16016 to be observed.