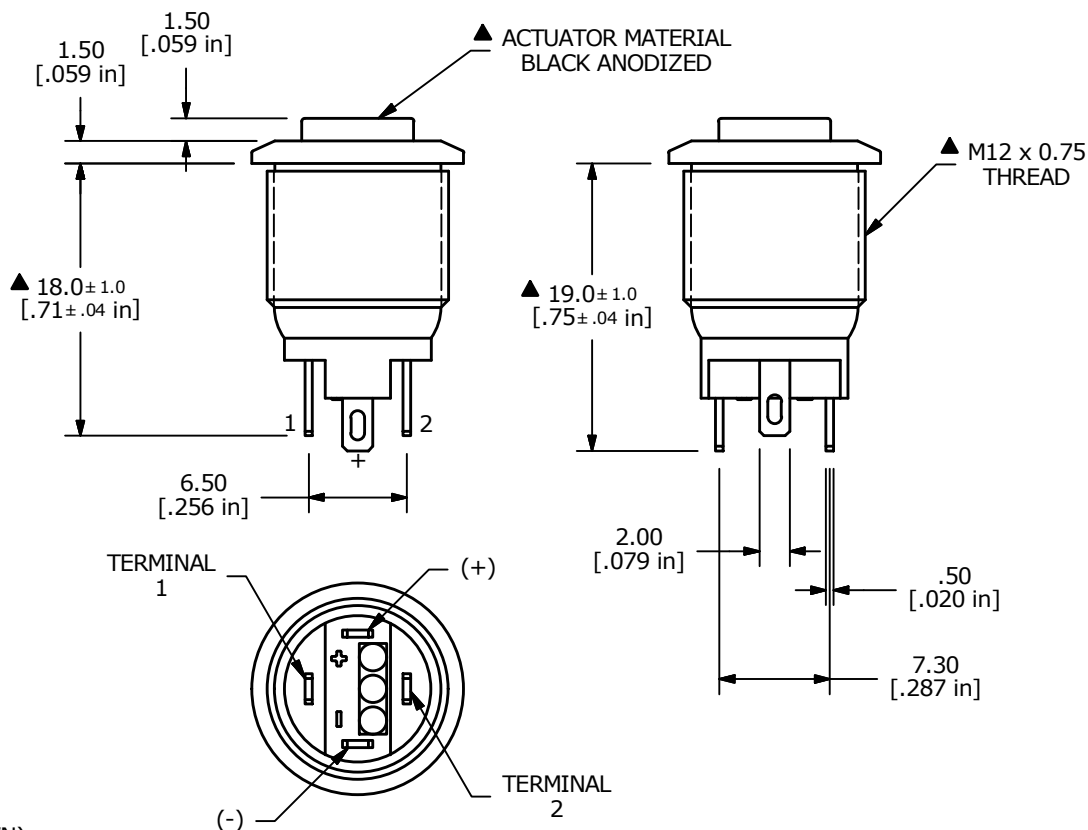
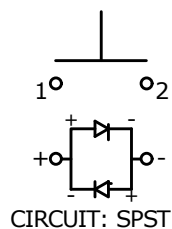


▲ SWITCH FUNCTION

POS. 1	POS. 2
OFF	(ON)
OPEN	1-2

(ON) = MOMENTARY



- NOTE:
1. ALL DIMENSIONS IN MM [INCH]
  2. GENERAL TOLERANCE: X.X = ± 0.4  
X.XX = ± 0.25
  3. TERMINAL NOS. FOR REF. ONLY
  4. RATING: 2A @ 36VDC
  5. CONTACT RESISTANCE: 50mΩ MAX. @ 1A 12VDC
  6. INSULATION RESISTANCE: 1,000MΩ @ 500VDC
  7. DIELECTRIC STRENGTH: 2,000VAC MIN. FOR 1 MINUTE
  8. ELECTRICAL LIFE: 200,000 CYCLES
  9. CONTACT MATERIAL: SILVER
  10. OPERATING TEMPERATURE: -20°C TO 55°C
  11. INGRESS PROTECTION: IP65
  - ▲ 12. LED VOLTAGE: BASE VOLTAGE 1.8V TYP.
  13. ▲ DENOTES CRITICAL PARAMETER
  14. 2011/65/EU (ROHS) COMPLIANT
  15. HARDWARE INCLUDED: HEX NUT AND O-RING (NOT SHOWN)



D	23191	UPDATED THREAD FROM ..0.5 TO ..0.75	1/29/18	MJR
C	22865	UPDATED RATING TO 2A @ 36VDC	5/26/17	MJR
REV	PCR NO	DESCRIPTION	DATE	BY

TITLE PV0H24011-311				
SCALE	DATE	DR	DWG	REV
2:1	2/18/2016	rc	52-PV0H24011311	D

THE INFORMATION CONTAINED IN THIS DOCUMENT IS PROPRIETARY TO E-SWITCH AND IS NOT TO BE COPIED OR TRANSFERRED