



# TAI-SAW TECHNOLOGY CO., LTD.

No. 3, Industrial 2nd Rd., Ping-Chen Industrial District,  
Taoyuan, 324, Taiwan, R.O.C.

TEL: 886-3-4690038 FAX: 886-3-4697532

E-mail: [tstsales@mail.taisaw.com](mailto:tstsales@mail.taisaw.com) Web: [www.taisaw.com](http://www.taisaw.com)

## Product Specifications Approval Sheet

Product Description: SAW Filter 2442 MHz (BW 84MHz) SMD 1.4X1.1 mm

TST Part No.: TA2324A

Customer Part No.: \_\_\_\_\_

Customer signature required
Company: _____
Division: _____
Approved by : _____
Date: _____

Checked by: \_\_\_\_\_ Michael Yang *Michael*

Approval by: \_\_\_\_\_ Andy Yu *Andy Yu*

Date: \_\_\_\_\_ 11/14/2017

1. Customer signed back is required before TST can proceed with sample build and receive orders.
2. Orders received without customer signed back will be regarded as agreement on the specifications.
3. Any specifications changes must be approved upon by both parties and a new revision of specifications shall be released to reflect the changes.



# TAI-SAW TECHNOLOGY CO., LTD.

No. 3, Industrial 2nd Rd., Ping-Chen Industrial District,  
Taoyuan, 324, Taiwan, R.O.C.

TEL: 886-3-4690038 FAX: 886-3-4697532

E-mail: [tstsales@mail.taisaw.com](mailto:tstsales@mail.taisaw.com) Web: [www.taisaw.com](http://www.taisaw.com)

## SAW Filter 2442MHz

MODEL NO.:TA2324A

REV. NO.:1.0

### A. MAXIMUM RATING:

1. Input Power Level: 13 dBm
2. DC Voltage : 0V
3. Operating Temperature: -30°C to +85°C
4. Storage Temperature: -40°C to +85°C
5. Moisture Sensitivity Level: Level 3(MSL3)

RoHS Compliant  
Lead free  
Lead-free soldering

### B. ELECTRICAL CHARACTERISTICS:

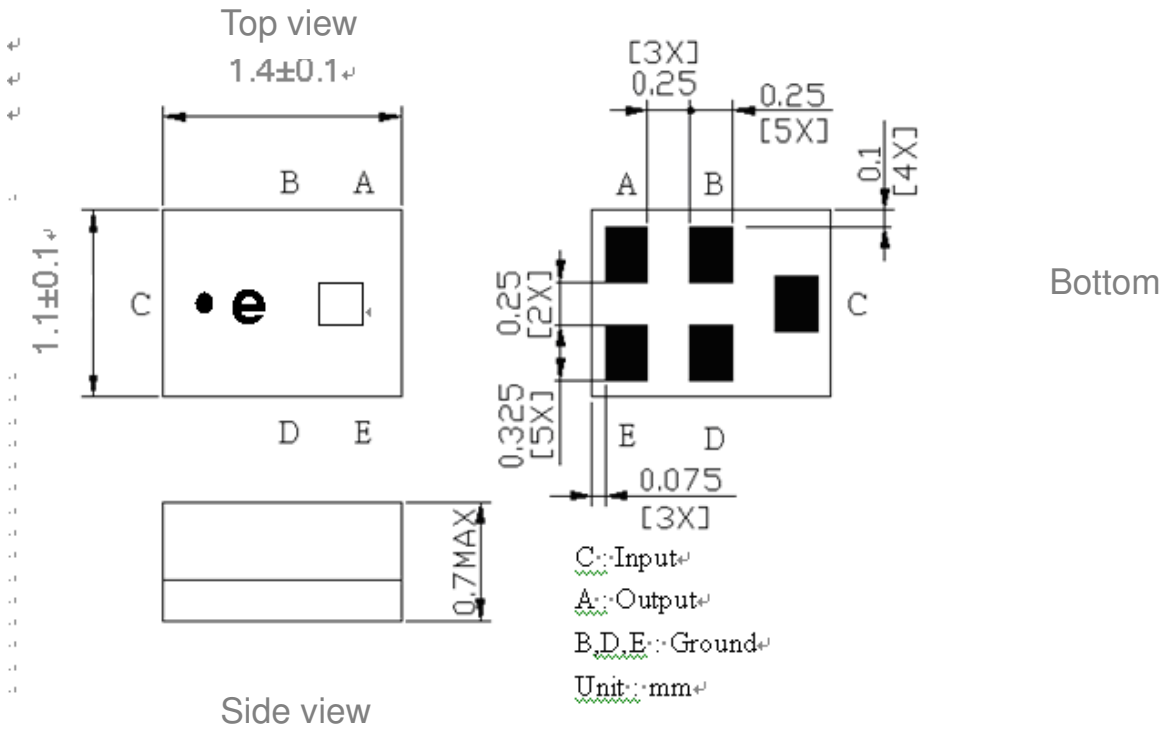
Terminating source impedance (single) :  $Z_s = 50 \Omega$

Terminating load impedance(single) :  $Z_L = 50 \Omega$

Item	Unit	Min	Type.	Max	Note
<b>Center Frequency</b> Fc	MHz	-	2442	-	
<b>Insertion Loss</b> IL					
2400 – 2484 MHz	dB		2.4	3.0	
2400 – 2484 MHz	dB		2.2	2.4	+23 to +27 deg.C
<b>Amplitude ripple</b>					
2400 – 2484 MHz	dB		0.8	1.5	
2400 – 2484 MHz	dB		0.7	1.2	+23 to +27 deg.C
<b>VSWR</b>					
2400 – 2484 MHz			1.7	2.0	
2400 – 2484 MHz			1.7	1.9	+23 to +27 deg.C
<b>Attenuation</b>					
0.1 – 960 MHz	dB	30	32		
960 – 1570 MHz	dB	25	28		
1570 – 1580 MHz	dB	25	27		
1580 – 1710 MHz	dB	25	27		
1710 – 1910 MHz	dB	25	26		
1910 – 1980 MHz	dB	25	26		
2110 – 2170 MHz	dB	25	28		
2545 – 2575 MHz	dB	30	34		

2545 – 2575 MHz	dB	30	35		+23 to +27 deg.C
2595 – 2625 MHz	dB	26	30		
2625 – 2645 MHz	dB	26	29		
2640 – 3000 MHz	dB	25	27		
3000 – 4800 MHz	dB	25	27		
4800 – 5000 MHz	dB	40	45		
5000 – 6000 MHz	dB	45	50		
Package size		SMD 1.4x1.1			

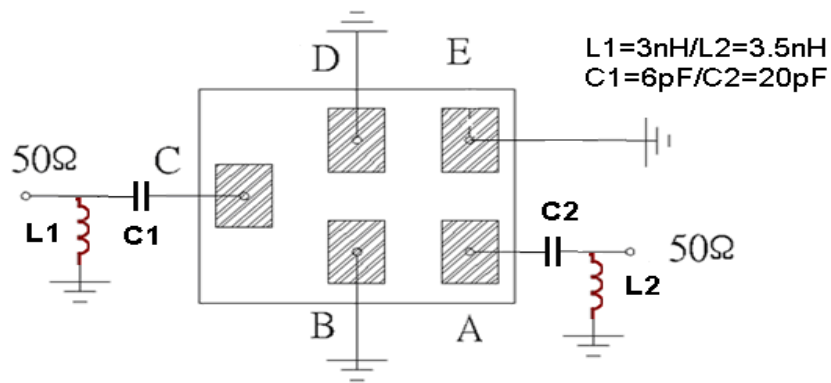
**C.OUTLINE DRAWING:**



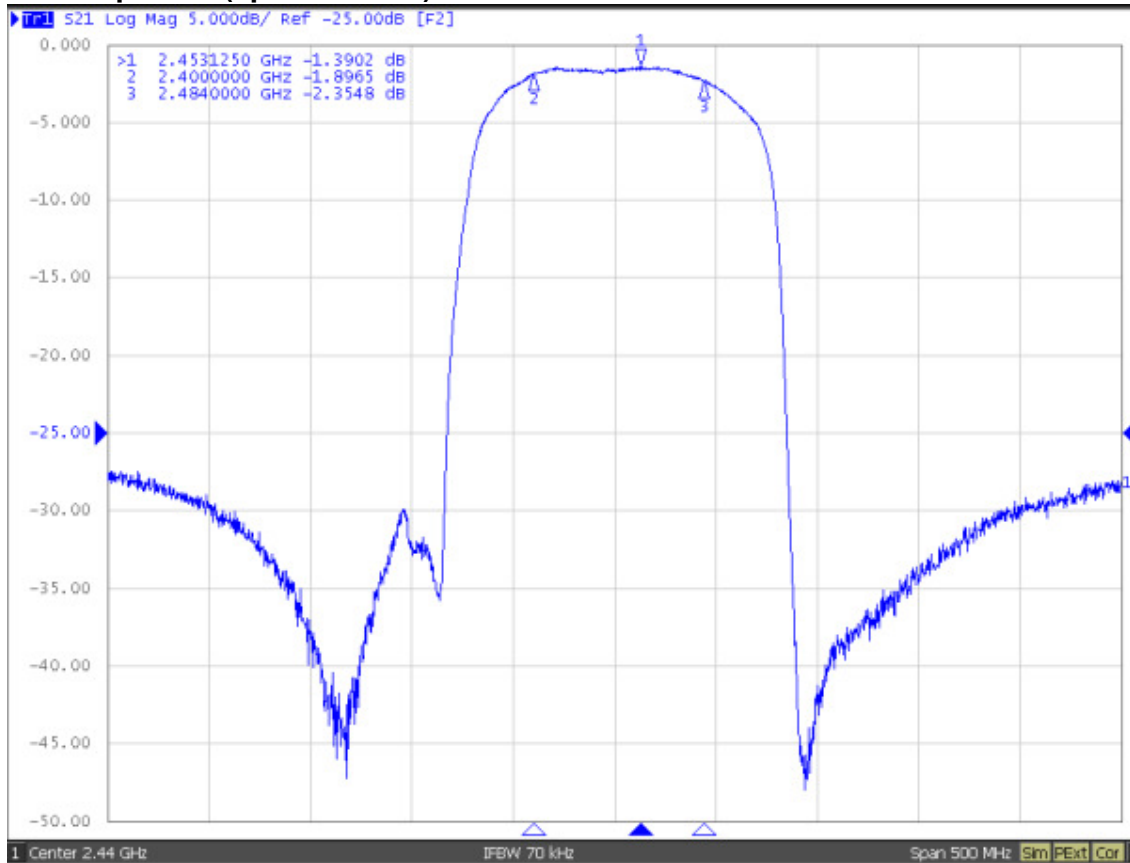
□ : Year/Month Code (Follow the table)

YEAR/Month	1	2	3	4	5	6	7	8	9	10	11	12
2013	A	B	C	D	E	F	G	H	J	K	L	M
2014	N	P	Q	R	S	T	U	V	W	X	Y	Z
2015	a	b	c	d	e	f	g	h	j	k	l	m
2016	n	p	q	r	s	t	u	v	w	x	y	z
2017	<u>A</u>	<u>B</u>	<u>C</u>	<u>D</u>	<u>E</u>	<u>F</u>	<u>G</u>	<u>H</u>	<u>J</u>	<u>K</u>	<u>L</u>	<u>M</u>
2018	<u>N</u>	<u>P</u>	<u>Q</u>	<u>R</u>	<u>S</u>	<u>T</u>	<u>U</u>	<u>V</u>	<u>W</u>	<u>X</u>	<u>Y</u>	<u>Z</u>
2019	<u>a</u>	<u>b</u>	<u>c</u>	<u>d</u>	<u>e</u>	<u>f</u>	<u>g</u>	<u>h</u>	<u>i</u>	<u>k</u>	<u>l</u>	<u>m</u>
2020	<u>n</u>	<u>p</u>	<u>q</u>	<u>r</u>	<u>s</u>	<u>t</u>	<u>u</u>	<u>v</u>	<u>w</u>	<u>x</u>	<u>y</u>	<u>z</u>

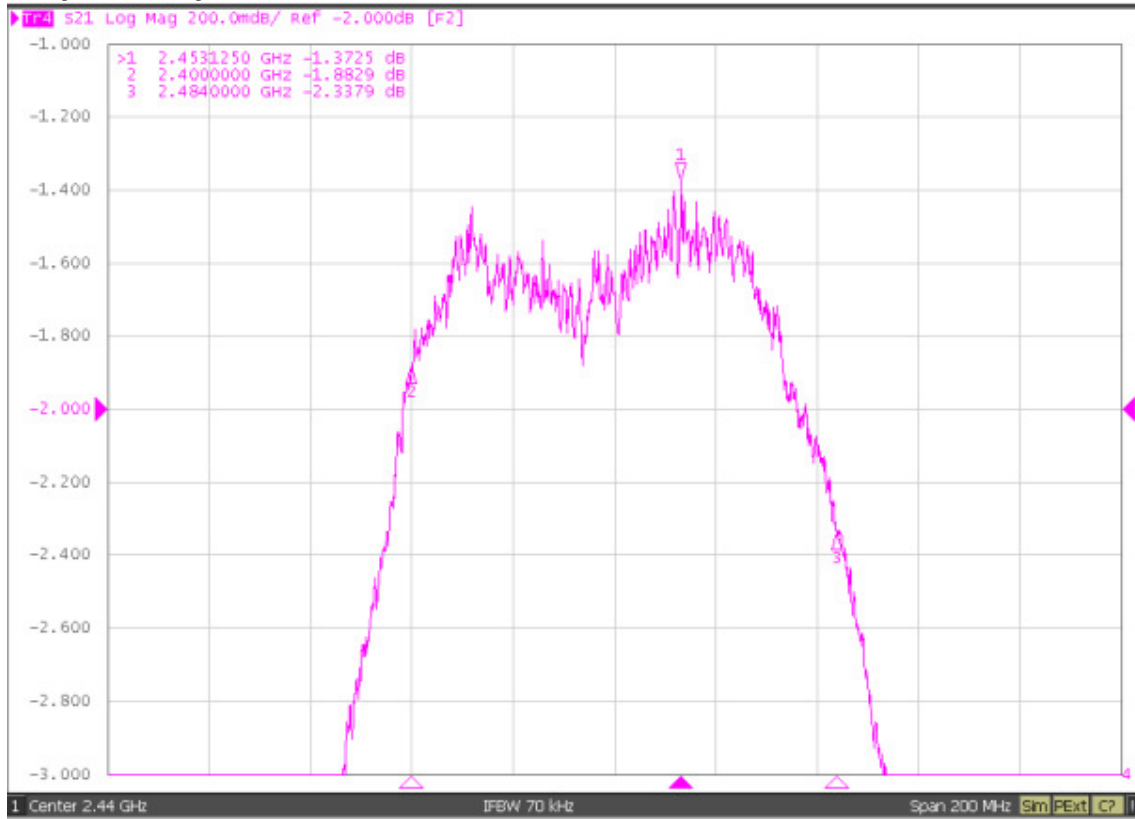
**D. MEASUREMENT CIRCUIT:**



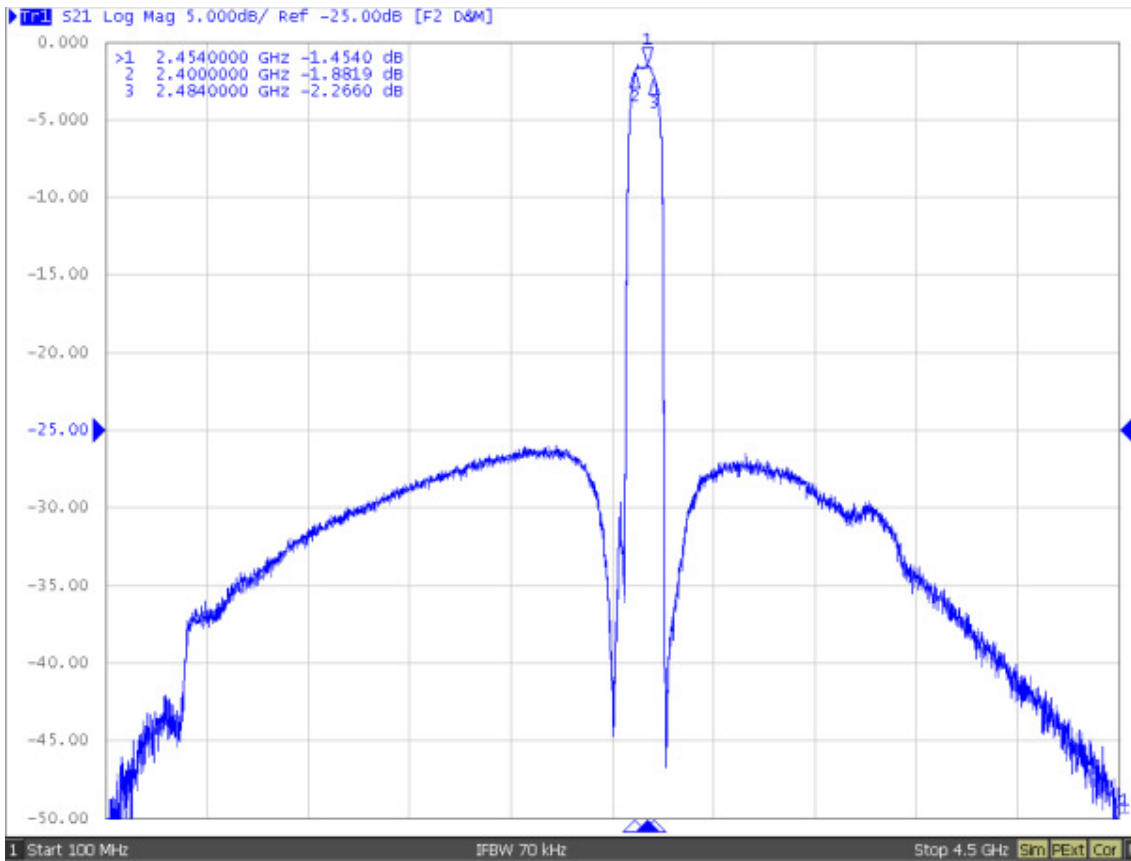
**E. Frequency Characteristics:**  
**S21 response: (span 500MHz)**



**S21 response: (span 200MHz)**



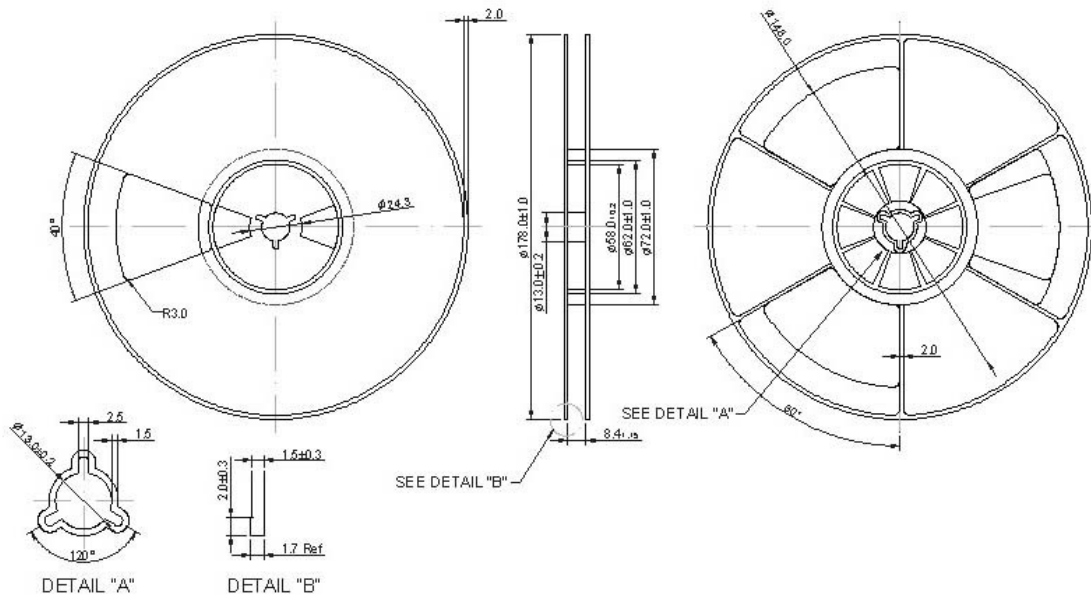
**S21 response: (span 3GHz)**



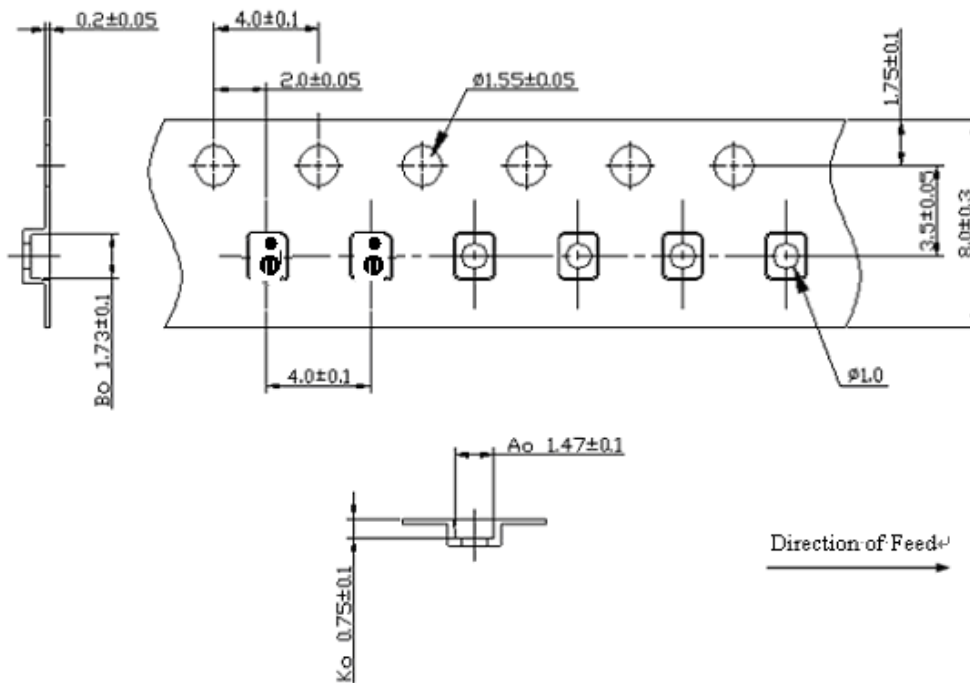
**F. PACKING:**

**1. REEL DIMENSION**

(Please refer to FR-75D10 for packing quantity )



**2. TAPE DIMENSION**



### G. RECOMMENDED REFLOW PROFILE :

1. Preheating shall be fixed at 150~180°C for 60~90 seconds.
2. Ascending time to preheating temperature 150°C shall be 30 seconds min.
3. Heating shall be fixed at 220°C for 50~80 seconds and at 260°C+0/-5°C peak (20~40sec).
4. Time: 2 times.

