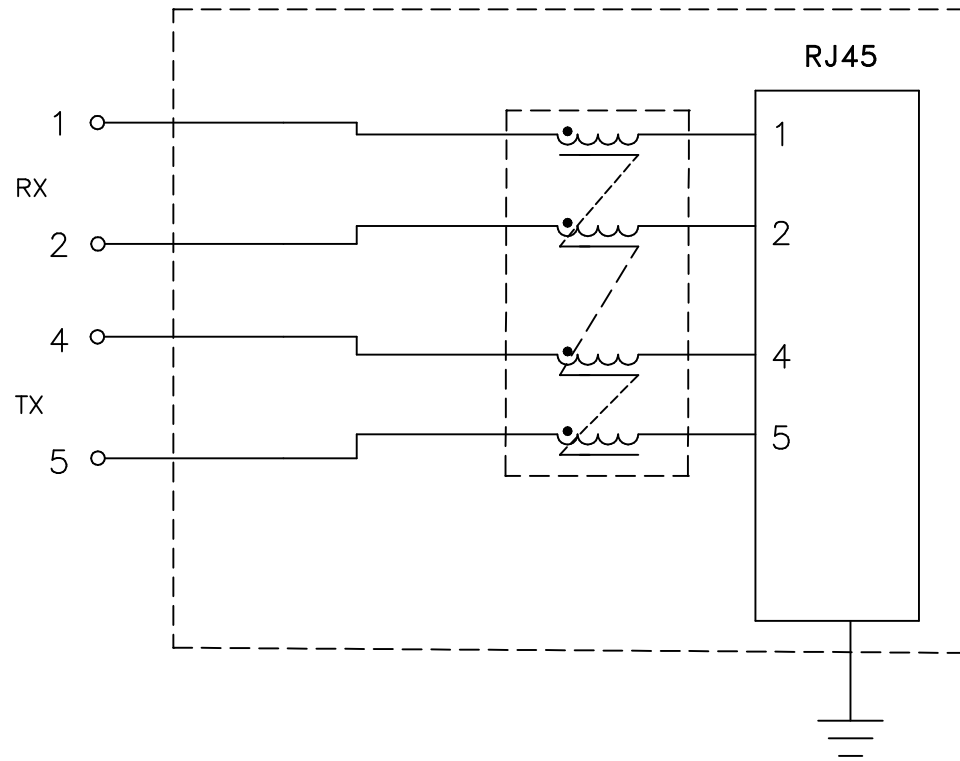


Schematic: (one of four)



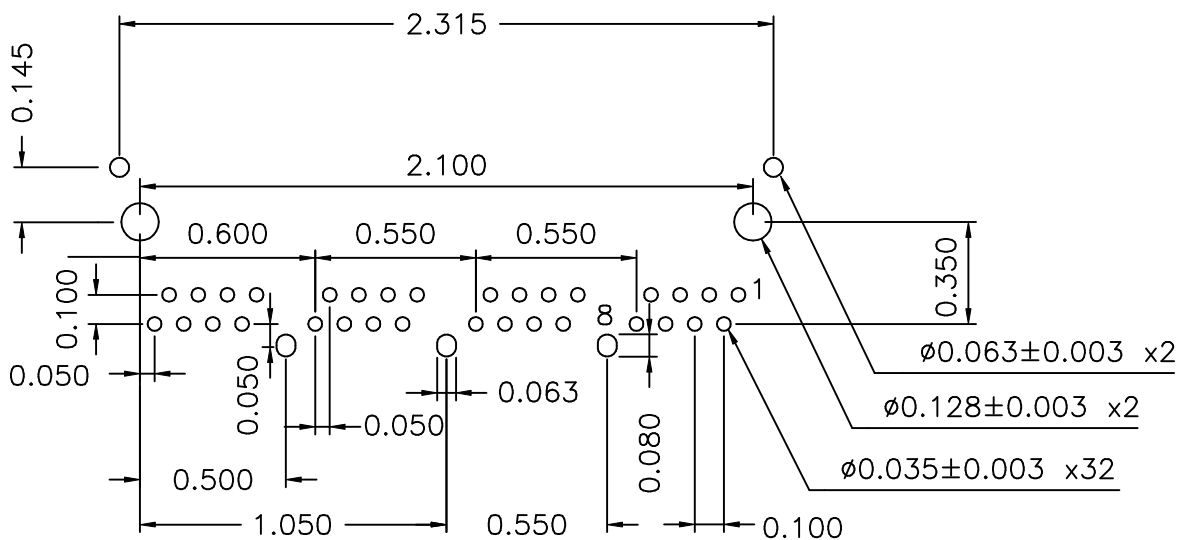
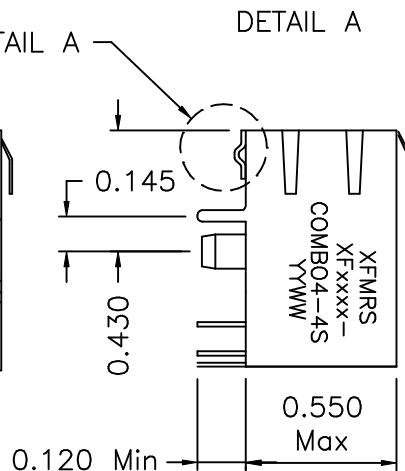
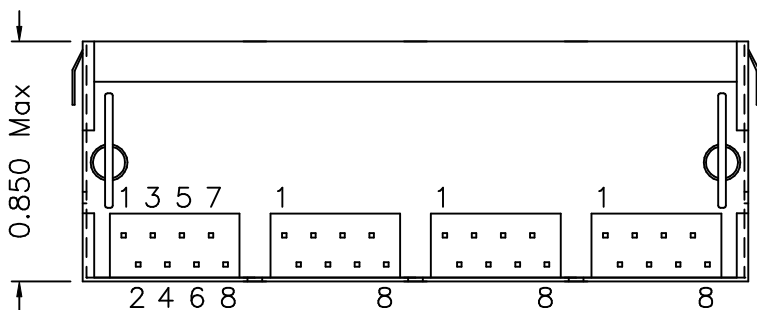
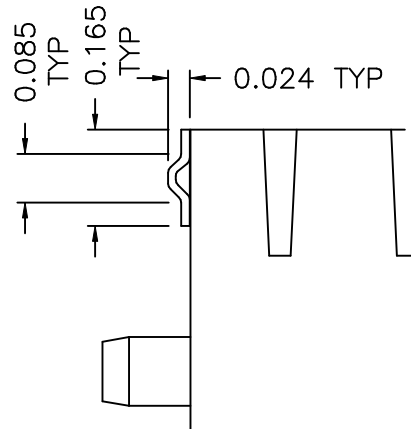
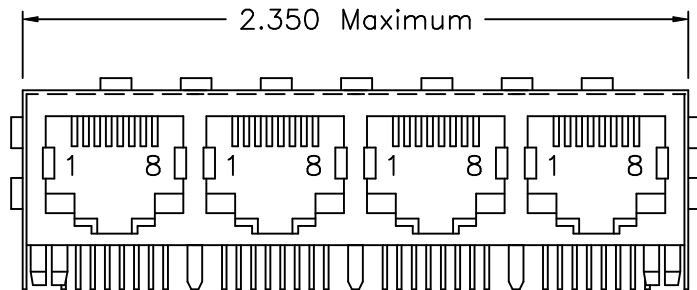
Electrical Specifications: @25°C

HIPOT: 500Vrms (Wire to Wire)
 TURN RATIO: J1-P1:J2-P2:J4-P4:J5-P5 1:1±5%
 OCL: P1-J1 55uH Typical 100KHz 50mV
 DCR: 0.150 Ohms Typ. Single strand
 CROSSTALK: 0.3MHz-100MHz 30dB Minimum

DOC. REV B/1

XFMRs Inc.	Title: E1/T1 LINE INTERFACE MODULE		
	UNLESS OTHERWISE SPECIFIED TOLERANCES:		P/N: XFCIS3-COMBO4-4S REV. B
	.xxx ±0.010	DWN.	李清儿 Apr-27-01
	Dimensions in Inch	CHK.	孙小悦 Apr-27-01
	SHEET 1 OF 2	APP.	Isaiah M Apr-27-01

Mechanical Dimensions: (FOR COMBO4-4S)



SUGGESTED MOUNTING PATTERN

DOC. REV: B/1

XFMRS Inc. UNLESS OTHERWISE SPECIFIED TOLERANCES: .xxx ±0.010 Dimensions in Inch SHEET 2 OF 2	Title: Mechanical Dimensions For COMBO4-4S Series	
	P/N: XFCIS3-COMBO4-4S	REV. B
	DWN. 廖玉坤	Apr-27-01
	CHK. 李清儿	Apr-27-01
	APP. Isaiah M	Apr-27-01