

PLEASE CHECK WWW.MOLEX.COM FOR LATEST PART INFORMATION

Part Number: **0876090069**

Status: **Active**

Description: 1.27mm Pitch DIMM 8-Byte Socket, Right Angle, Multi-Key, 168 Circuits, with Beveled Metal Pins and Plastic Pegs, with Beige Latches, 3.56mm Tail Length, 0.38µm Gold (Au) Plating, Left Function Key, Lead-Free

Documents:

[3D Model](#)

[Drawing \(PDF\)](#)

[Product Specification PS-87609-002 \(PDF\)](#)

[RoHS Certificate of Compliance \(PDF\)](#)

General

Product Family	Memory Module Sockets
Series	87609
Comments	Latches in Beige Color
Component Type	Socket
JEDEC Outline	MO-161
Product Name	DIMM
UPC	822348566280

Physical

Circuits (Loaded)	168
Color - Resin	Black, Natural
Durability (mating cycles max)	25
Entry Angle	90° Angle (Side Entry)
Function Key	Left
Keying to Mating Part	Yes
Material - Metal	Brass, High Performance Alloy (HPA)
Material - Plating Mating	Gold
Material - Plating Termination	Tin
Material - Resin	High Temperature Thermoplastic
Net Weight	17.366/g
PC Tail Length	3.56mm
PCB Locator	Yes
PCB Retention	Yes
PCB Thickness - Recommended	2.80mm
Packaging Type	Tray
Pitch - Mating Interface	1.27mm
Plating min - Mating	0.381µm
Plating min - Termination	2.540µm
Temperature Range - Operating	-10°C to +85°C
Termination Interface: Style	Through Hole

Electrical

Current - Maximum per Contact	1.0A
Voltage - Maximum	125V
Voltage Key	3.3V, Center

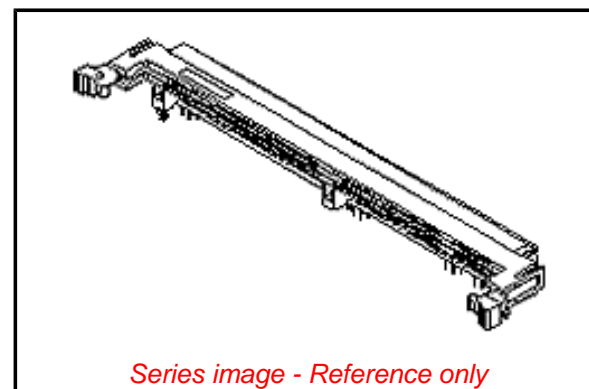
Solder Process Data

Lead-freeProcess Capability	WAVE
-----------------------------	------

Material Info

Reference - Drawing Numbers

Product Specification	PS-87609-002
Sales Drawing	SD-87609-001



Series image - Reference only

EU ELV

Not Relevant

EU RoHS

Compliant

REACH SVHC

Contains SVHC(2015

June 15): No

Halogen-Free

Status

Not Low-Halogen

Need more information on product environmental compliance?

Email productcompliance@molex.com

Please visit the [Contact Us](#) section for any non-product compliance questions.

China ROHS

ELV

Green Image

Not Relevant

Search Parts in this Series

87609 Series

Mates With

JEDEC MO-161 Modules

This document was generated on 10/29/2015

PLEASE CHECK WWW.MOLEX.COM FOR LATEST PART INFORMATION