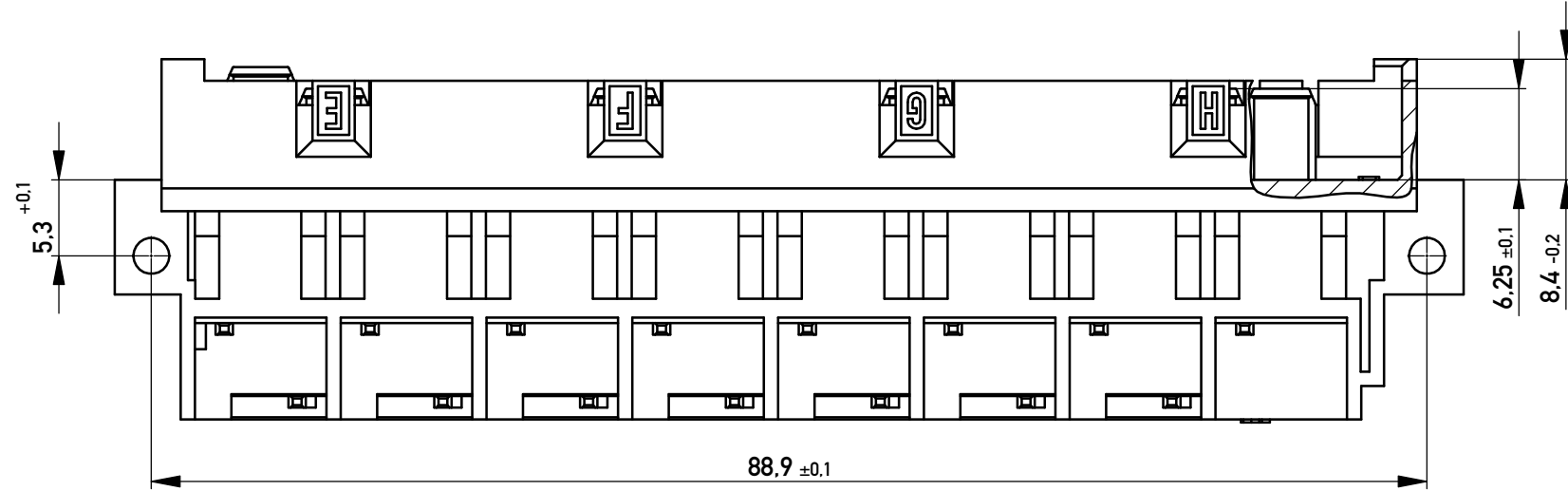
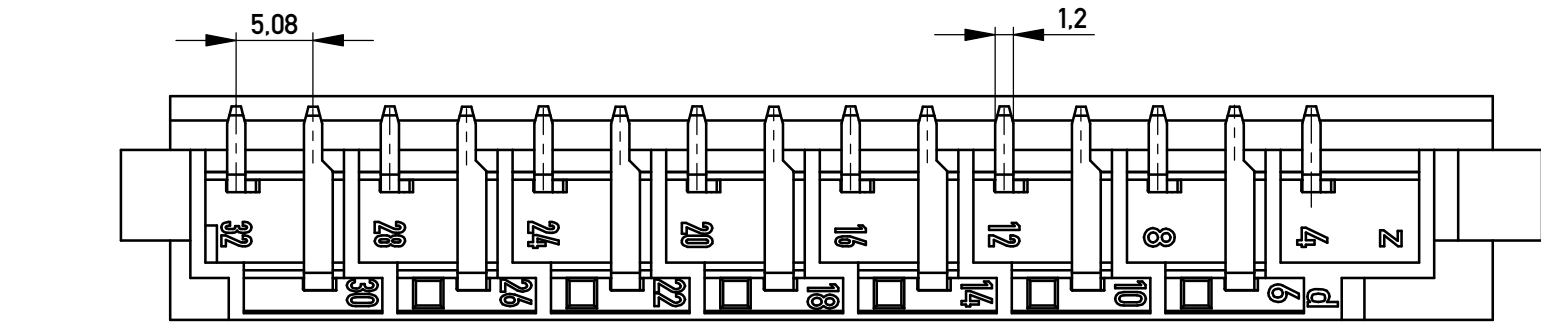
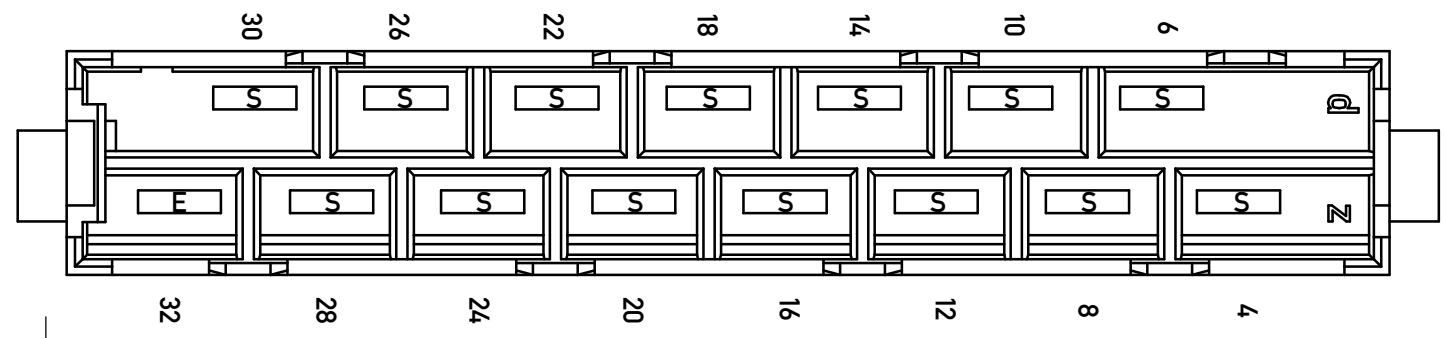
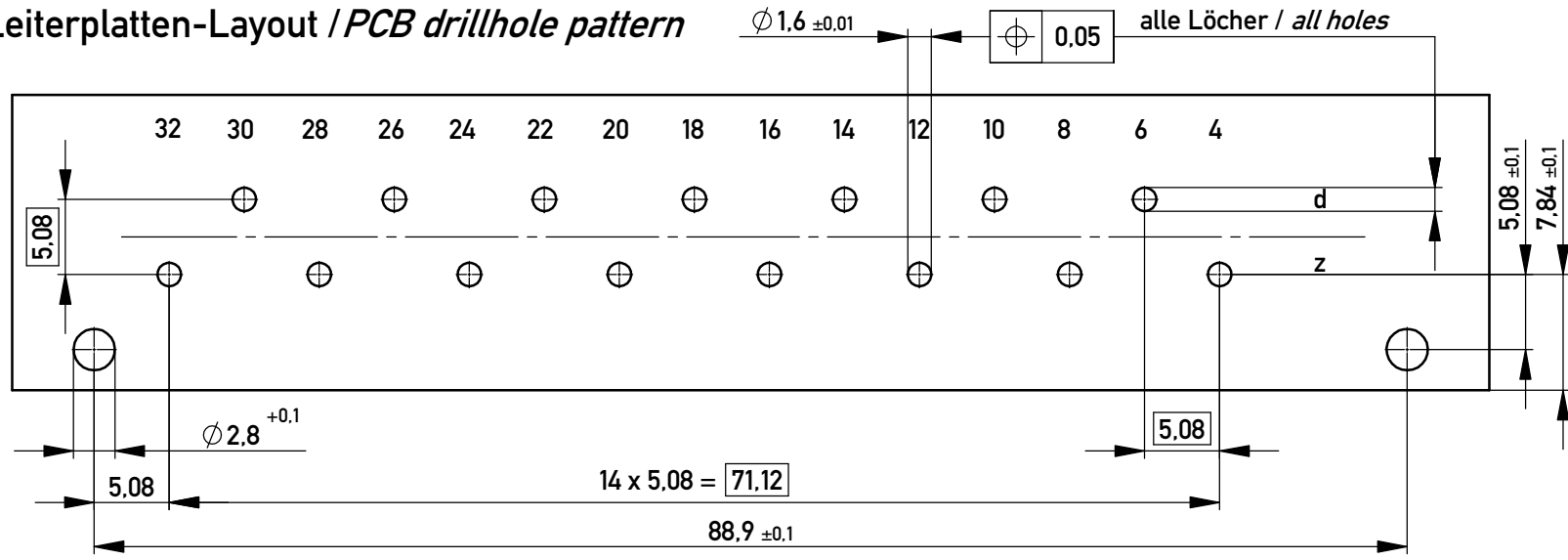


Bestückungsplan / contact layout



Lötanschluss 0.8 x 1.2 mm / solder terminal 0.8 x 1.2 mm
 Anforderungsstufe 1 = 500 Steckzyklen / performance class 1 = 500 mating cycles
 Bauart 3 / type 3
 Fehlende Masse und Angaben nach DIN EN 60603-2 /
 Missing information and dimensions according to DIN EN 60603-2

Leiterplatten-Layout / PCB drillhole pattern



Information:		Tolerances	All Dimensions in mm	Scale: 2:1
All rights reserved. Only for Information. To ensure that this is the latest version of this drawing, please contact one of the ERNI companies before using.		Subject to modification without prior notice. Drawing will not be updated.		Designation: Messerleiste H15 Löt Male Connector H15 Solder
www.ERNI.com		100603210135		I
c	21.03.2016	Class: STVH15		A3
Index	Date			

Copyright by ERNI Production GmbH & Co. KG
 Proprietary notice pursuant to ISO 16016 to be observed.