

74VHC161284 IEEE 1284 Transceiver

General Description

The VHC161284 contains eight bidirectional data buffers and eleven control/status buffers to implement a full IEEE 1284 compliant interface. The device supports the IEEE 1284 standard and is intended to be used in Extended Capabilities Port mode (ECP). The pinout allows for easy connection from the Peripheral (A-side) to the Host (cable side).

Outputs on the cable side can be configured to be either open drain or high drive (± 14 mA). The pull-up and pull-down series termination resistance of these outputs on the cable side is optimized to drive an external cable. In addition, all inputs (except HLH) and outputs on the cable side contain internal pull-up resistors connected to the V_{CC} supply to provide proper termination and pull-ups for open drain mode.

Outputs on the Peripheral side are standard LOW-drive CMOS outputs. The DIR input controls data flow on the A_1 – A_8 / B_1 – B_8 transceiver pins.

Features

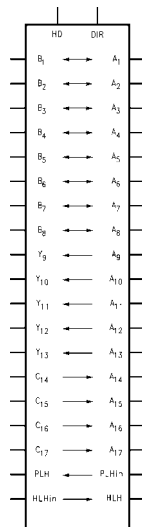
- Supports IEEE 1284 Level 1 and Level 2 signaling standards for bidirectional parallel communications between personal computers and printing peripherals
- Replaces the function of two (2) 74ACT1284 devices
- All inputs have hysteresis to provide noise margin
- B and Y output resistance optimized to drive external cable
- B and Y outputs in high impedance mode during power down
- Inputs and outputs on cable side have internal pull-up resistors
- Flow-through pin configuration allows easy interface between the Peripheral and Host

Ordering Code:

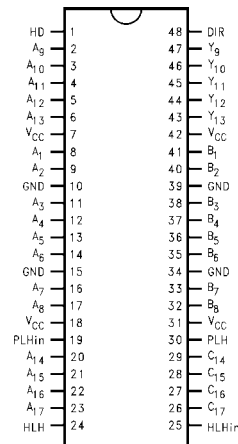
Ordering Number	Package Number	Package Description
74VHC161284MEA	MS48A	48-Lead Small Shrink Outline Package (SSOP), JEDEC MO-118, 0.300 Wide
74VHC161284MTD	MTD48	48-Lead Thin Shrink Small Outline Package (TSSOP), JEDEC MO-153, 6.1mm Wide

Surface mount packages are also available on Tape and Reel. Specify by appending the suffix letter "X" to the ordering code.

Logic Symbol



Connection Diagram



Pin Descriptions

Pin Names	Description
HD	HIGH Drive Enable Input (Active HIGH)
DIR	Direction Control Input
A ₁ -A ₈	Inputs or Outputs
B ₁ -B ₈	Inputs or Outputs
A ₉ -A ₁₃	Inputs
Y ₉ -Y ₁₃	Outputs
A ₁₄ -A ₁₇	Outputs
C ₁₄ -C ₁₇	Inputs
PLH _{IN}	Peripheral Logic HIGH Input
PLH	Peripheral Logic HIGH Output
HLH _{IN}	Host Logic HIGH Input
HLH	Host Logic HIGH Output

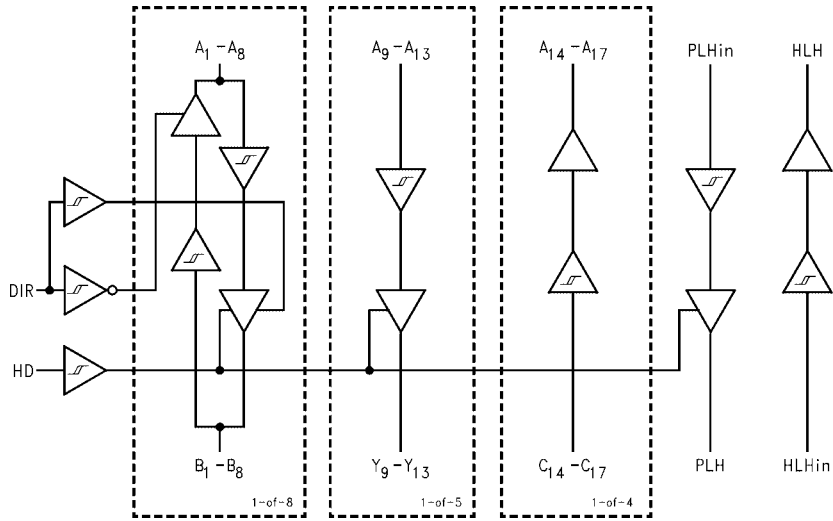
Truth Table

Inputs		Outputs
DIR	HD	
L	L	B ₁ -B ₈ Data to A ₁ -A ₈ , and A ₉ -A ₁₃ Data to Y ₉ -Y ₁₃ (Note 1) C ₁₄ -C ₁₇ Data to A ₁₄ -A ₁₇ PLH Open Drain Mode
L	H	B ₁ -B ₈ Data to A ₁ -A ₈ , and A ₉ -A ₁₃ Data to Y ₉ -Y ₁₃ C ₁₄ -C ₁₇ Data to A ₁₄ -A ₁₇
H	L	A ₁ -A ₈ Data to B ₁ -B ₈ (Note 2) A ₉ -A ₁₃ Data to Y ₉ -Y ₁₃ (Note 1) C ₁₄ -C ₁₇ Data to A ₁₄ -A ₁₇ PLH Open Drain Mode
H	H	A ₁ -A ₈ Data to B ₁ -B ₈ A ₉ -A ₁₃ Data to Y ₉ -Y ₁₃ C ₁₄ -C ₁₇ Data to A ₁₄ -A ₁₇

Note 1: Y₉-Y₁₃ Open Drain Outputs

Note 2: B₁-B₈ Open Drain Outputs

Logic Diagram



Absolute Maximum Ratings(Note 3)

Supply Voltage		
V_{CC}	-0.5V to + 7.0V	
Input Voltage (V_I) (Note 4)		
A ₁ -A ₁₃ , PLH _{IN} , DIR, HD	-0.5V to V_{CC} + 0.5V	
B ₁ -B ₈ , C ₁₄ -C ₁₇ , HLH _{IN}	-0.5V to + 5.5V (DC)	
B ₁ -B ₈ , C ₁₄ -C ₁₇ , HLH _{IN}	-2.0V to + 7.0V *	*40 ns Transient
Output Voltage (V_O)		
A ₁ -A ₈ , A ₁₄ -A ₁₇ , HLH	-0.5V to V_{CC} + 0.5V	
B ₁ -B ₈ , Y ₉ -Y ₁₃ , PLH	-0.5V to + 5.5V (DC)	
B ₁ -B ₈ , Y ₉ -Y ₁₃ , PLH	-2.0V to + 7.0V*	*40 ns Transient
DC Output Current (I_O)		
A ₁ -A ₈ , HLH	±25 mA	
B ₁ -B ₈ , Y ₉ -Y ₁₃	±50 mA	
PLH (Output LOW)	84 mA	
PLH (Output HIGH)	-50 mA	
Input Diode Current (I_{IK}) (Note 4)		
DIR, HD, A ₉ -A ₁₃ , PLH, HLH, C ₁₄ -C ₁₇	-20 mA	
Output Diode Current (I_{OK})		
A ₁ -A ₈ , A ₁₄ -A ₁₇ , HLH	±50 mA	
B ₁ -B ₈ , Y ₉ -Y ₁₃ , PLH	-50 mA	
DC Continuous V_{CC} or Ground Current	±200 mA	
Storage Temperature	-65°C to + 150°C	
ESD (HBM) Last Passing Voltage	2000V	

**Recommended Operating
Conditions**

Supply Voltage	4.5V to 5.5V
V_{CC}	0V to V_{CC}
DC Input Voltage (V_I)	0V to 5.5V
Open Drain Voltage (V_O)	0V to 5.5V
Operating Temperature (T_A)	-40°C to + 85°C

Note 3: Absolute Maximum continuous ratings are those values beyond which damage to the device may occur. Exposure to these indicated may adversely affect device reliability. Functional operation under absolute maximum rated conditions is not implied.

Note 4: Either voltage limit or current limit is sufficient to protect inputs.

DC Electrical Characteristics

Symbol	Parameter	V_{CC} (V)	$T_A = -40^\circ\text{C to } +85^\circ\text{C}$		Units	Conditions	
			Guaranteed Limits				
V_{IK}	Input Clamp Diode Voltage	3.0	-1.2		V	$I_I = -18 \text{ mA}$	
V_{IH}	Minimum HIGH Level Input Voltage	A _n , PLH _{IN} , DIR, HD	4.5 - 5.5	0.7 V_{CC}		V	
		B _n	4.5 - 5.5	2.0			
		C _n	4.5 - 5.5	2.3			
		HLH _{IN}	4.5 - 5.5	2.6			
V_{IL}	Maximum LOW Level Input Voltage	A _n , PLH _{IN} , DIR, HD	4.5 - 5.5	0.3 V_{CC}		V	
		B _n	4.5 - 5.5	0.8			
		C _n	4.5 - 5.5	0.8			
		HLH _{IN}	4.5 - 5.5	1.6			
ΔVT	Minimum Input Hysteresis	A _n , PLH _{IN} , DIR, HD	4.5 - 5.5	0.4		V	$V_{T^+} - V_{T^-}$
		B _n	4.5 - 5.5	0.4			$V_{T^+} - V_{T^-}$
		C _n	5.0	0.8			$V_{T^+} - V_{T^-}$
		HLH _{IN}	5.0	0.3			$V_{T^+} - V_{T^-}$
V_{OH}	Minimum HIGH Level Output Voltage	A _n , HLH	4.5	4.4		V	$I_{OH} = -50 \mu\text{A}$
			4.5	3.8			$I_{OH} = -8 \text{ mA}$
		B _n , Y _n	4.5	3.73			$I_{OH} = -14 \text{ mA}$
		PLH	4.5	4.45			$I_{OH} = -500 \mu\text{A}$

DC Electrical Characteristics (Continued)

Symbol	Parameter	V _{CC} (V)	T _A = -40°C to +85°C		Units	Conditions	
			Guaranteed Limits				
V _{OL}	Maximum LOW Level Output Voltage	A _n , HLH	4.5	0.1	V	I _{OL} = 50 μA I _{OL} = 8 mA	
			4.5	0.44			
			B _n , Y _n	4.5			0.77
				PLH			4.5
RD	Maximum Output Impedance	B ₁ -B ₈ , Y ₉ -Y ₁₃	5.0	55	Ω	(Note 5)(Note 6)	
	Minimum Output Impedance	B ₁ -B ₈ , Y ₉ -Y ₁₃	5.0	35	Ω	(Note 5)(Note 6)	
RP	Maximum Pull-Up Resistance	B ₁ -B ₈ , Y ₉ -Y ₁₃ , C ₁₄ -C ₁₇	5.0	1650	Ω		
	Minimum Pull-Up Resistance	B ₁ -B ₈ , Y ₉ -Y ₁₃ , C ₁₄ -C ₁₇	5.0	1150	Ω		
I _{IH}	Maximum Input Current in HIGH State	A ₉ -A ₁₃ , PLH _{IN} , HD, DIR, HLH _{IN}	5.5	1.0	μA	V _I = 5.5V V _I = 5.5V	
		C ₁₄ -C ₁₇	5.5	100			
I _{IL}	Maximum Input Current in LOW State	A ₉ -A ₁₃ , PLH _{IN} , HD, DIR, HLH _{IN}	5.5	-1.0	μA	V _I = 0.0V V _I = 0.0V	
		C ₁₄ -C ₁₇	5.5	-5.0			mA
I _{OZH}	Maximum Output Disable Current (HIGH)	A ₁ -A ₈	5.5	20	μA	V _O = 5.5V V _O = 5.5V	
		B ₁ -B ₈	5.5	100			
I _{OZL}	Maximum Output Disable Current (LOW)	A ₁ -A ₈	5.5	-20	μA	V _O = 0.0V	
		B ₁ -B ₈	5.5	-5.0			mA
I _{OFF}	Power Down Output Leakage	B ₁ -B ₈ , Y ₉ -Y ₁₃ , PLH	0.0	100	μA	V _O = 5.5V	
I _{OFF}	Power Down Input Leakage	C ₁₄ -C ₁₇ , HLH _{IN}	0.0	100	μA	V _I = 5.5V	
I _{OFF} - I _{CC}	Power Down Leakage to V _{CC}		0.0	250	μA	(Note 7)	
I _{CC}	Maximum Supply Current		5.5	70	mA	V _I = V _{CC} or GND	

Note 5: Output impedance is measured with the output active LOW and active HIGH (HD = HIGH).

Note 6: This parameter is guaranteed but not tested, characterized only.

Note 7: Power-down leakage to V_{CC} is tested by simultaneously forcing all pins on the cable-side (B₁-B₈, Y₉-Y₁₃, PLH, C₁₄-C₁₇ and HLH_{IN} to 5.5V and measuring the resulting I_{CC}.

AC Electrical Characteristics					
Symbol	Parameter	$T_A = -40^\circ\text{C to } +85^\circ\text{C}$ $V_{CC} = 4.5\text{V} - 5.5\text{V}$		Units	Figure Number
		Min	Max		
t_{PHL}	A ₁ -A ₈ to B ₁ -B ₈	2.0	30.0	ns	Figure 1
t_{PLH}	A ₁ -A ₈ to B ₁ -B ₈	2.0	30.0	ns	Figure 2
t_{PHL}	B ₁ -B ₈ to A ₁ -A ₈	2.0	30.0	ns	Figure 3
t_{PLH}	B ₁ -B ₈ to A ₁ -A ₈	2.0	30.0	ns	Figure 3
t_{PHL}	A ₉ -A ₁₃ to Y ₉ -Y ₁₃	2.0	30.0	ns	Figure 1
t_{PLH}	A ₉ -A ₁₃ to Y ₉ -Y ₁₃	2.0	30.0	ns	Figure 2
t_{PHL}	C ₁₄ -C ₁₇ to A ₁₄ -A ₁₇	2.0	30.0	ns	Figure 3
t_{PLH}	C ₁₄ -C ₁₇ to A ₁₄ -A ₁₇	2.0	30.0	ns	Figure 3
t_{SKEW}	LH-LH or HL-HL		6.0	ns	(Note 9)
t_{PHL}	PLH _{IN} to PLH	2.0	30.0	ns	Figure 1
t_{PLH}	PLH _{IN} to PLH	2.0	30.0	ns	Figure 2
t_{PHL}	HLH _{IN} to HLH	2.0	30.0	ns	Figure 3
t_{PLH}	HLH _{IN} to HLH	2.0	30.0	ns	Figure 3
t_{PHZ}	Output Disable Time	2.0	18.0	ns	Figure 7
t_{PLZ}	DIR to A ₁ -A ₈	2.0	18.0	ns	Figure 7
t_{PZH}	Output Enable Time	2.0	25.0	ns	Figure 8
t_{PZL}	DIR to A ₁ -A ₈	2.0	25.0	ns	Figure 8
t_{PHZ}	Output Disable Time	2.0	25.0	ns	Figure 9
t_{PLZ}	DIR to B ₁ -B ₈	2.0	25.0	ns	Figure 9
t_{pEN}	Output Enable Time HD to B ₁ -B ₈ , Y ₉ -Y ₁₃	2.0	28.0	ns	Figure 2
t_{pDis}	Output Disable Time HD to B ₁ -B ₈ , Y ₉ -Y ₁₃	2.0	28.0	ns	Figure 2
$t_{pEN} - t_{pDis}$	Output Enable-Output Disable		20.0	ns	
t_{SLEW}	Output Slew Rate				
t_{PLH}	B ₁ -B ₈ , Y ₉ -Y ₁₃	0.05	0.40	V/ns	Figure 5
t_{PHL}	B ₁ -B ₈ , Y ₉ -Y ₁₃	0.05	0.40	V/ns	Figure 4
t_r, t_f	t_{RISE} and t_{FALL} B ₁ -B ₈ , Y ₉ -Y ₁₃ (Note 8)		120	ns	Figure 6
			120	ns	(Note 10)
Note 8: Open Drain					
Note 9: t_{SKEW} is measured for common edge output transitions and compares the measured propagation delay for a given path type.					
(i) A ₁ -A ₈ to B ₁ -B ₈ , A ₉ -Y ₁₃ to Y ₉ -Y ₁₃					
(ii) B ₁ -B ₈ to A ₁ -A ₈					
(iii) C ₁₄ -C ₁₇ to A ₁₄ -A ₁₇					
Note 10: This parameter is guaranteed but not tested, characterized only.					
Capacitance (Note 11)					
Symbol	Parameter	Typ	Units	Conditions	
C _{IN}	Input Capacitance	5	pF	V _{CC} = 0.0V (HD, DIR, A ₉ -A ₁₃ , C ₁₄ -C ₁₇ , PLH _{IN} and HLH _{IN})	
C _{I/O}	I/O Pin Capacitance	12	pF	V _{CC} = 3.3V	
Note 11: Capacitance is measured at frequency = 1 MHz.					

AC Loading and Waveforms

Pulse Generator for all pulses: Rate ≤ 1.0 MHz; $Z_0 \leq 50\Omega$; $t_r \leq 2.5$ ns, $t_f \leq 2.5$ ns.

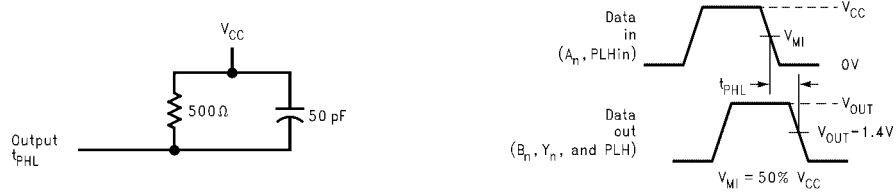


FIGURE 1. t_{PHL} Test Load and Waveforms
A₁–A₈ to B₁–B₈
A₉–A₁₃ to Y₉–Y₁₃
PLH_{IN} to PLH

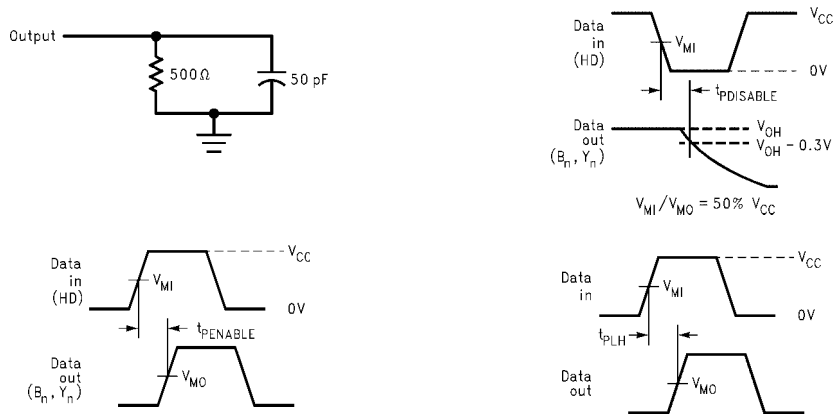


FIGURE 2. t_{PLH} , t_{pEn} , t_{pDis} Test Load and Waveforms
A₁–A₈ to B₁–B₈, A₉–A₁₃ to Y₉–Y₁₃
PLH_{IN} to PLH, HD to B₁–B₈, Y₉–Y₁₃, PLH



FIGURE 3. t_{PHL} , t_{PLH} Test Load and Waveforms
B₁–B₈ to A₁–A₈, C₁₄–C₁₇ to A₁₄–A₁₇, HLH_{IN} to HLH

AC Loading and Waveforms (Continued)

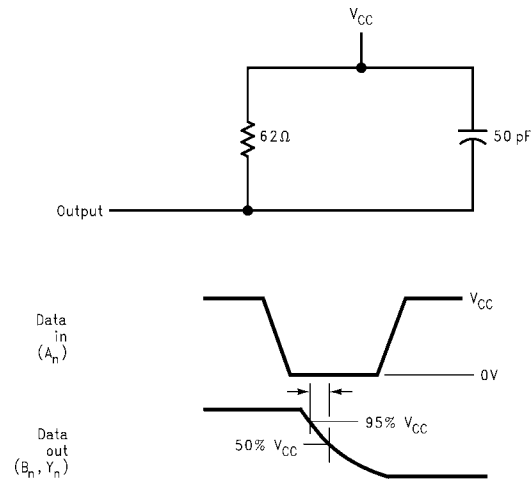


FIGURE 4. $t_{SLEW\ HL}$ Test Load and Waveforms
A₁-A₈ to B₁-B₈
A₉-A₁₃ to Y₉-Y₁₃

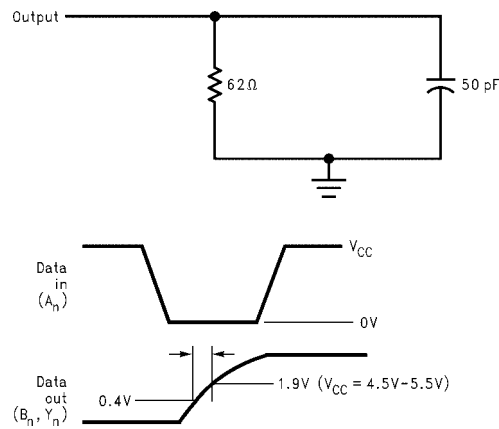
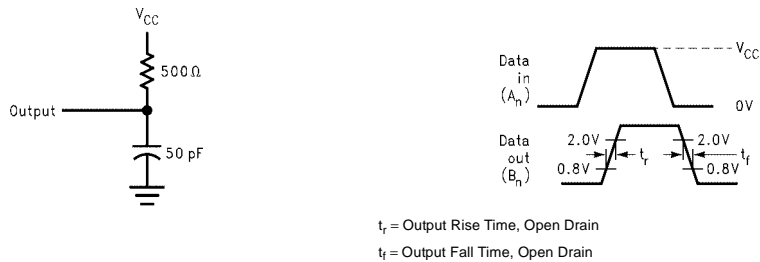


FIGURE 5. $t_{SLEW\ LH}$ Test Load and Waveforms
A₁-A₈ to B₁-B₈
A₉-A₁₃ to Y₉-Y₁₃



t_r = Output Rise Time, Open Drain
 t_f = Output Fall Time, Open Drain

FIGURE 6. t_{RISE} and t_{FALL} Test Load and Waveforms for Open Drain Outputs
A₁-A₈ to B₁-B₈, A₉-A₁₃ to Y₉-Y₁₃

AC Loading and Waveforms (Continued)

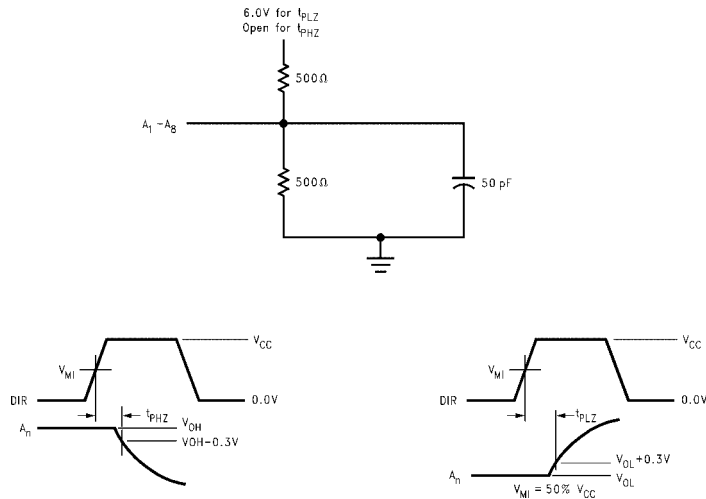


FIGURE 7. t_{PHZ} and t_{PLZ} Test Load and Waveforms, DIR to A₁-A₈

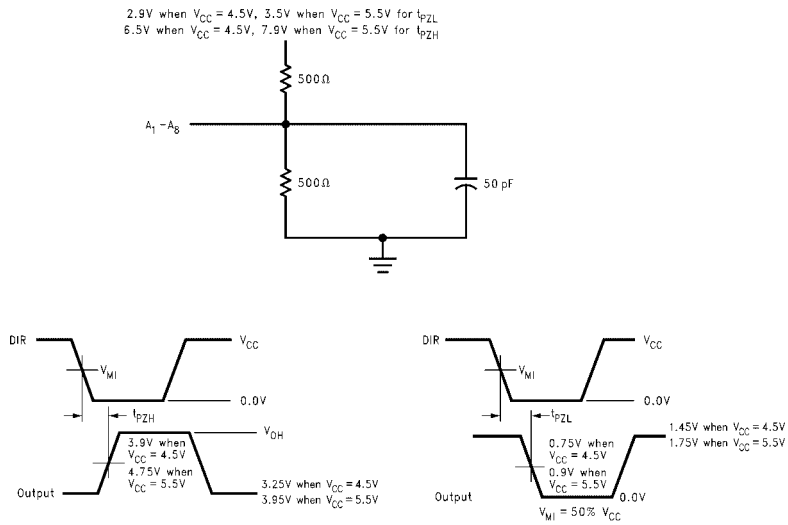


FIGURE 8. t_{PZH} and t_{PZL} Test Load and Waveforms, DIR to A₁-A₈

AC Loading and Waveforms (Continued)

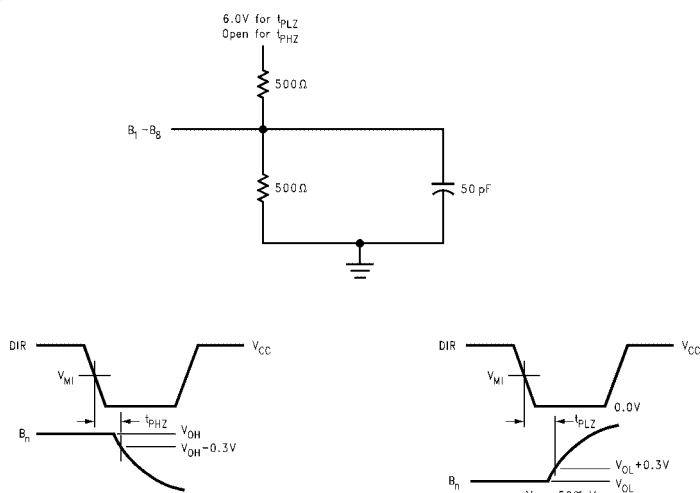
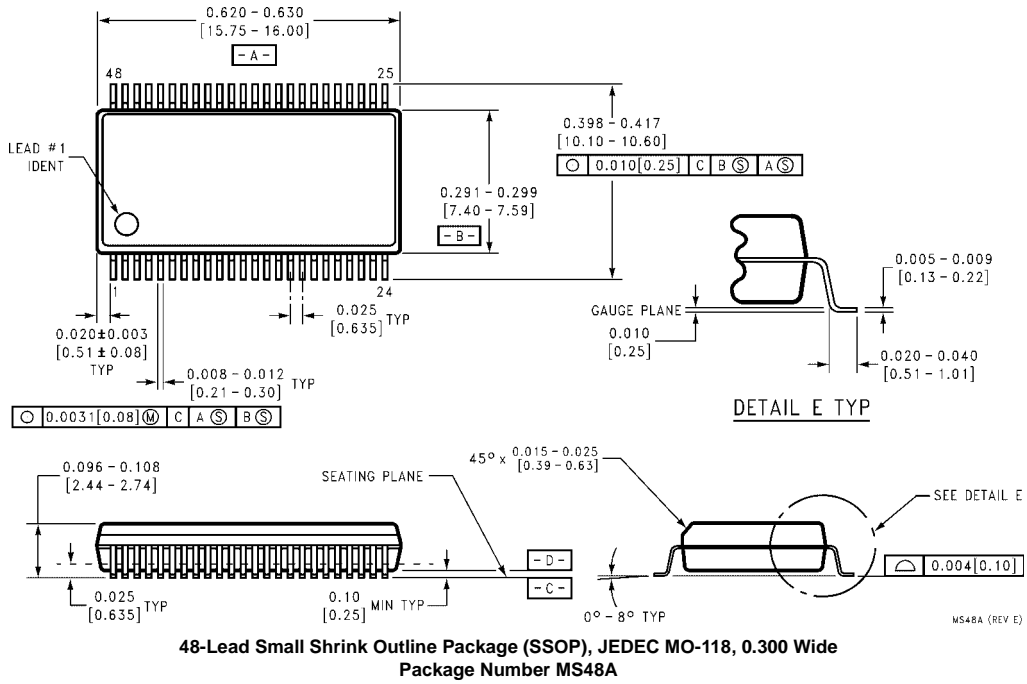


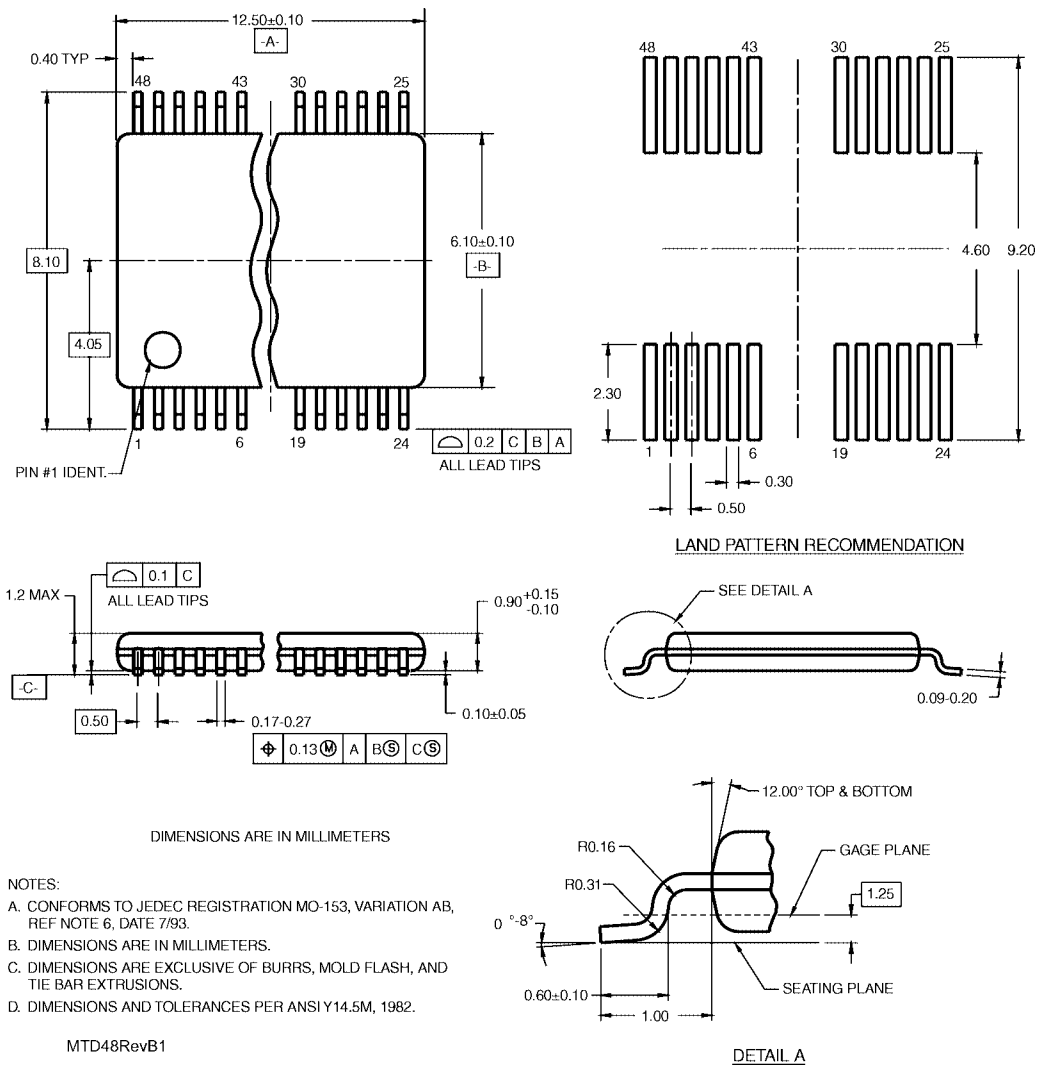
FIGURE 9. t_{PHZ} and t_{PLZ} Test Load and Waveforms, DIR to B_1-B_8

74VHC161284

Physical Dimensions inches (millimeters) unless otherwise noted



Physical Dimensions inches (millimeters) unless otherwise noted (Continued)



Fairchild does not assume any responsibility for use of any circuitry described, no circuit patent licenses are implied and Fairchild reserves the right at any time without notice to change said circuitry and specifications.

LIFE SUPPORT POLICY

FAIRCHILD'S PRODUCTS ARE NOT AUTHORIZED FOR USE AS CRITICAL COMPONENTS IN LIFE SUPPORT DEVICES OR SYSTEMS WITHOUT THE EXPRESS WRITTEN APPROVAL OF THE PRESIDENT OF FAIRCHILD SEMICONDUCTOR CORPORATION. As used herein:

1. Life support devices or systems are devices or systems which, (a) are intended for surgical implant into the body, or (b) support or sustain life, and (c) whose failure to perform when properly used in accordance with instructions for use provided in the labeling, can be reasonably expected to result in a significant injury to the user.
2. A critical component in any component of a life support device or system whose failure to perform can be reasonably expected to cause the failure of the life support device or system, or to affect its safety or effectiveness.

www.fairchildsemi.com