

Watercooled RF Power Barrel Capacitors for Dielectric Heating Equipment



QUICK REFERENCE DATA	
DESCRIPTION	VALUE
Ceramic Class	1
Ceramic Dielectric	R16 HQ
Type	TOSW 118115
Voltage (V_p)	13 500
Min. Capacitance (pF)	125
Max. Capacitance (pF)	125
Mounting	Screw terminal

MATERIAL

Capacitor elements made from class 1 ceramic dielectric with noble metal electrodes.

Connection terminals:
thread terminal, brass, silver plated.

Allowable torque: 5.0 Nm (44 lbf in)

FINISH

Capacitor body completely glazed.

MARKING

Type designator, capacitance value and tolerance, test voltage (peak value), ceramic material code, production date code, manufacturer logo, serial no.

FEATURES

These capacitors feature a high Q-factor of greater than 10 000 which makes them ideal in operating frequency range from 0.1 MHz up to 30 MHz where high voltages and currents are present. This capacitor type can be used as replacement for fixed vacuum capacitors. The construction provides the advantage of a long lifetime without vacuum deterioration.

The TOSW 118115 has additionally watercooling systems on both electrodes. That provides very high power ratings up to 1940 kvar.

APPLICATIONS

Dielectric heating equipments in industrial segment

CAPACITANCE RANGE

125 pF

CAPACITANCE TOLERANCE

$\pm 10 \%$

CERAMIC DIELECTRICS

R16 High Q (TCC + 100 ppm/K)

RATED VOLTAGE

13.5 kV_p

DIELECTRIC STRENGTH TEST

157 % rated AC voltage (21 200 V_{RMS}, 50 Hz, 5 minutes)

RF-POWER TEST

140 % of rated power, for 5 minutes in a test generator circuit

DISSIPATION FACTOR

Max. 0.025 % (1 MHz)

INSULATION RESISTANCE

Min. 100 000 M Ω (at 25 °C)

OPERATING TEMPERATURE RANGE

-55 °C to +100 °C

WATERCOOLING SYSTEM

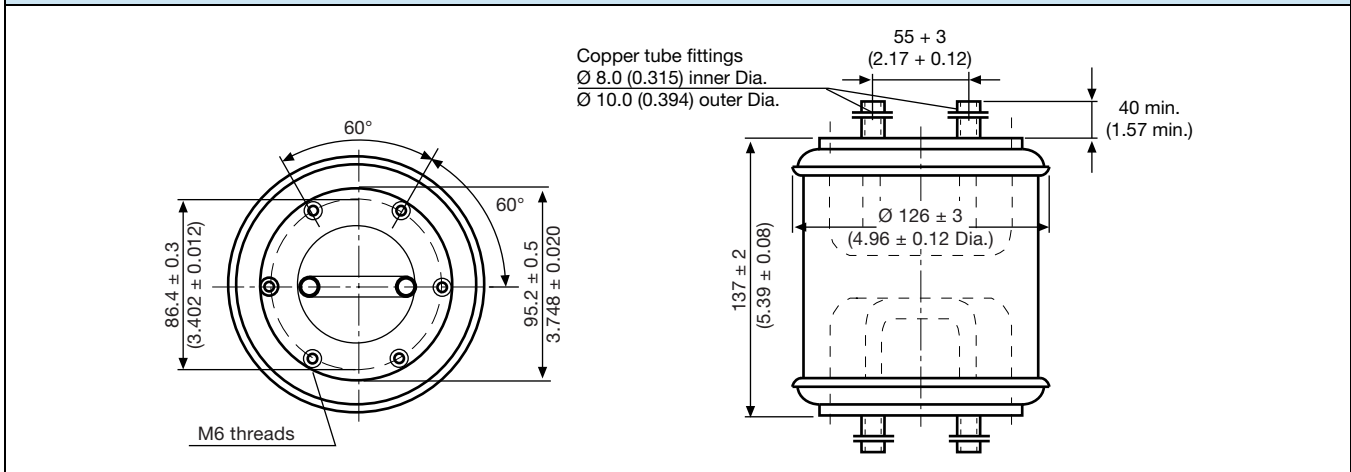
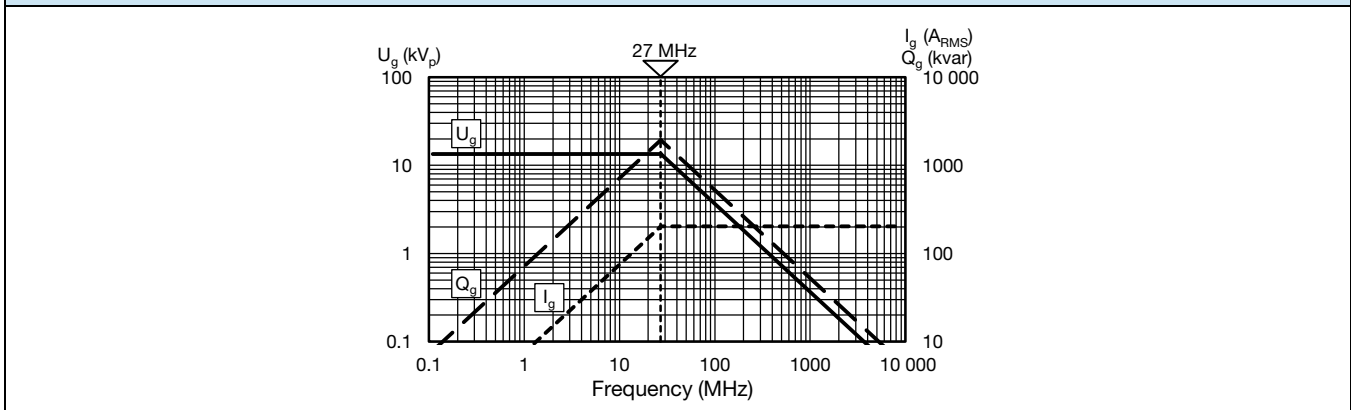
Allowable intake water pressure: 15 bar (218 psi)

SAP PART NUMBER AND ELECTRICAL DATA

PART NUMBER	CERAMIC	CAP. VALUES (pF)	RATED VOLTAGE (kV _p)	RATED POWER ⁽¹⁾ (kvar)	RATED CURRENT (A _{RMS})
BW118115XT125P36CB	R16 High Q	125	13.5	Up to 1940	203

Note

⁽¹⁾ The temperature of the connection terminals must be less than 30 °C

DIMENSIONS in millimeters (inches)

DERATING DIAGRAM

WATERCOOLING SYSTEM

The watercooling systems are designed with 8 mm / 10 mm copper tube fittings. The fittings must not be used as a mechanical support for other devices or components.

Each cooling system is designed to operate at a maximum water pressure of 15 bars (218 psi).

A coolant temperature rate monitor must provide a fail-safe on / off power control for the RF equipment.

Normal tap water or de-mineralized water may be used for cooling. The water must be reasonably free of CaCO₃ and clear of foreign particles or milkyness. The pH-value of the coolant should be between 6 and 8.

INSTALLATION

The electrical connection to one electrode must be flexible in order to prevent the generation of physical forces which could damage the capacitor elements. Such forces are often generated by the dimensional differences resulting from the normal physical tolerances of the capacitors.

RELATED DOCUMENTS

General Information	www.vishay.com/doc?22071
---------------------	--



Disclaimer

ALL PRODUCT, PRODUCT SPECIFICATIONS AND DATA ARE SUBJECT TO CHANGE WITHOUT NOTICE TO IMPROVE RELIABILITY, FUNCTION OR DESIGN OR OTHERWISE.

Vishay Intertechnology, Inc., its affiliates, agents, and employees, and all persons acting on its or their behalf (collectively, "Vishay"), disclaim any and all liability for any errors, inaccuracies or incompleteness contained in any datasheet or in any other disclosure relating to any product.

Vishay makes no warranty, representation or guarantee regarding the suitability of the products for any particular purpose or the continuing production of any product. To the maximum extent permitted by applicable law, Vishay disclaims (i) any and all liability arising out of the application or use of any product, (ii) any and all liability, including without limitation special, consequential or incidental damages, and (iii) any and all implied warranties, including warranties of fitness for particular purpose, non-infringement and merchantability.

Statements regarding the suitability of products for certain types of applications are based on Vishay's knowledge of typical requirements that are often placed on Vishay products in generic applications. Such statements are not binding statements about the suitability of products for a particular application. It is the customer's responsibility to validate that a particular product with the properties described in the product specification is suitable for use in a particular application. Parameters provided in datasheets and / or specifications may vary in different applications and performance may vary over time. All operating parameters, including typical parameters, must be validated for each customer application by the customer's technical experts. Product specifications do not expand or otherwise modify Vishay's terms and conditions of purchase, including but not limited to the warranty expressed therein.

Except as expressly indicated in writing, Vishay products are not designed for use in medical, life-saving, or life-sustaining applications or for any other application in which the failure of the Vishay product could result in personal injury or death. Customers using or selling Vishay products not expressly indicated for use in such applications do so at their own risk. Please contact authorized Vishay personnel to obtain written terms and conditions regarding products designed for such applications.

No license, express or implied, by estoppel or otherwise, to any intellectual property rights is granted by this document or by any conduct of Vishay. Product names and markings noted herein may be trademarks of their respective owners.