

To our customers,

Old Company Name in Catalogs and Other Documents

On April 1st, 2010, NEC Electronics Corporation merged with Renesas Technology Corporation, and Renesas Electronics Corporation took over all the business of both companies. Therefore, although the old company name remains in this document, it is a valid Renesas Electronics document. We appreciate your understanding.

Renesas Electronics website: <http://www.renesas.com>

April 1st, 2010
Renesas Electronics Corporation

Issued by: Renesas Electronics Corporation (<http://www.renesas.com>)

Send any inquiries to <http://www.renesas.com/inquiry>.

Notice

1. All information included in this document is current as of the date this document is issued. Such information, however, is subject to change without any prior notice. Before purchasing or using any Renesas Electronics products listed herein, please confirm the latest product information with a Renesas Electronics sales office. Also, please pay regular and careful attention to additional and different information to be disclosed by Renesas Electronics such as that disclosed through our website.
2. Renesas Electronics does not assume any liability for infringement of patents, copyrights, or other intellectual property rights of third parties by or arising from the use of Renesas Electronics products or technical information described in this document. No license, express, implied or otherwise, is granted hereby under any patents, copyrights or other intellectual property rights of Renesas Electronics or others.
3. You should not alter, modify, copy, or otherwise misappropriate any Renesas Electronics product, whether in whole or in part.
4. Descriptions of circuits, software and other related information in this document are provided only to illustrate the operation of semiconductor products and application examples. You are fully responsible for the incorporation of these circuits, software, and information in the design of your equipment. Renesas Electronics assumes no responsibility for any losses incurred by you or third parties arising from the use of these circuits, software, or information.
5. When exporting the products or technology described in this document, you should comply with the applicable export control laws and regulations and follow the procedures required by such laws and regulations. You should not use Renesas Electronics products or the technology described in this document for any purpose relating to military applications or use by the military, including but not limited to the development of weapons of mass destruction. Renesas Electronics products and technology may not be used for or incorporated into any products or systems whose manufacture, use, or sale is prohibited under any applicable domestic or foreign laws or regulations.
6. Renesas Electronics has used reasonable care in preparing the information included in this document, but Renesas Electronics does not warrant that such information is error free. Renesas Electronics assumes no liability whatsoever for any damages incurred by you resulting from errors in or omissions from the information included herein.
7. Renesas Electronics products are classified according to the following three quality grades: “Standard”, “High Quality”, and “Specific”. The recommended applications for each Renesas Electronics product depends on the product’s quality grade, as indicated below. You must check the quality grade of each Renesas Electronics product before using it in a particular application. You may not use any Renesas Electronics product for any application categorized as “Specific” without the prior written consent of Renesas Electronics. Further, you may not use any Renesas Electronics product for any application for which it is not intended without the prior written consent of Renesas Electronics. Renesas Electronics shall not be in any way liable for any damages or losses incurred by you or third parties arising from the use of any Renesas Electronics product for an application categorized as “Specific” or for which the product is not intended where you have failed to obtain the prior written consent of Renesas Electronics. The quality grade of each Renesas Electronics product is “Standard” unless otherwise expressly specified in a Renesas Electronics data sheets or data books, etc.
 - “Standard”: Computers; office equipment; communications equipment; test and measurement equipment; audio and visual equipment; home electronic appliances; machine tools; personal electronic equipment; and industrial robots.
 - “High Quality”: Transportation equipment (automobiles, trains, ships, etc.); traffic control systems; anti-disaster systems; anti-crime systems; safety equipment; and medical equipment not specifically designed for life support.
 - “Specific”: Aircraft; aerospace equipment; submersible repeaters; nuclear reactor control systems; medical equipment or systems for life support (e.g. artificial life support devices or systems), surgical implantations, or healthcare intervention (e.g. excision, etc.), and any other applications or purposes that pose a direct threat to human life.
8. You should use the Renesas Electronics products described in this document within the range specified by Renesas Electronics, especially with respect to the maximum rating, operating supply voltage range, movement power voltage range, heat radiation characteristics, installation and other product characteristics. Renesas Electronics shall have no liability for malfunctions or damages arising out of the use of Renesas Electronics products beyond such specified ranges.
9. Although Renesas Electronics endeavors to improve the quality and reliability of its products, semiconductor products have specific characteristics such as the occurrence of failure at a certain rate and malfunctions under certain use conditions. Further, Renesas Electronics products are not subject to radiation resistance design. Please be sure to implement safety measures to guard them against the possibility of physical injury, and injury or damage caused by fire in the event of the failure of a Renesas Electronics product, such as safety design for hardware and software including but not limited to redundancy, fire control and malfunction prevention, appropriate treatment for aging degradation or any other appropriate measures. Because the evaluation of microcomputer software alone is very difficult, please evaluate the safety of the final products or system manufactured by you.
10. Please contact a Renesas Electronics sales office for details as to environmental matters such as the environmental compatibility of each Renesas Electronics product. Please use Renesas Electronics products in compliance with all applicable laws and regulations that regulate the inclusion or use of controlled substances, including without limitation, the EU RoHS Directive. Renesas Electronics assumes no liability for damages or losses occurring as a result of your noncompliance with applicable laws and regulations.
11. This document may not be reproduced or duplicated, in any form, in whole or in part, without prior written consent of Renesas Electronics.
12. Please contact a Renesas Electronics sales office if you have any questions regarding the information contained in this document or Renesas Electronics products, or if you have any other inquiries.

(Note 1) “Renesas Electronics” as used in this document means Renesas Electronics Corporation and also includes its majority-owned subsidiaries.

(Note 2) “Renesas Electronics product(s)” means any product developed or manufactured by or for Renesas Electronics.

300 OUTPUT TFT-LCD SOURCE DRIVER

DESCRIPTION

The μ PD16780A is a source driver for 300-output TFT-LCDs, providing support for only striped pixel array LDCs..

The driver consists of a shift register for generating the sampling timing and sample & hold circuits for sampling the analog voltage. The high picture quality obtained by the alternate sample & hold execution of the two types of on-chip sample & hold circuits enables employment in applications such as car navigation panels.

FEATURES

- 5.0 V Drive (Dynamic range 4.6 V_{P-P}, V_{DD2} = 5.0 V)
- 300 Output channel
- f_{CLK} = 20 MHz MAX. (V_{DD1} = 3.0 V)
- 1-phase/3-phase sampling clocks supported
- Corresponds only to LCD of Stripe array color filter
- Two on-chip sample-and-hold circuits
- Small output deviation between pins (deviation between chip pins: ± 20 mV MAX.)
- Switch between right and left shift using the R,/L pin
- Logic power supply voltage (V_{DD1}): 3.0 to 5.5 V
- Driver power supply voltage(V_{DD2}): 5.0 \pm 0.5 V

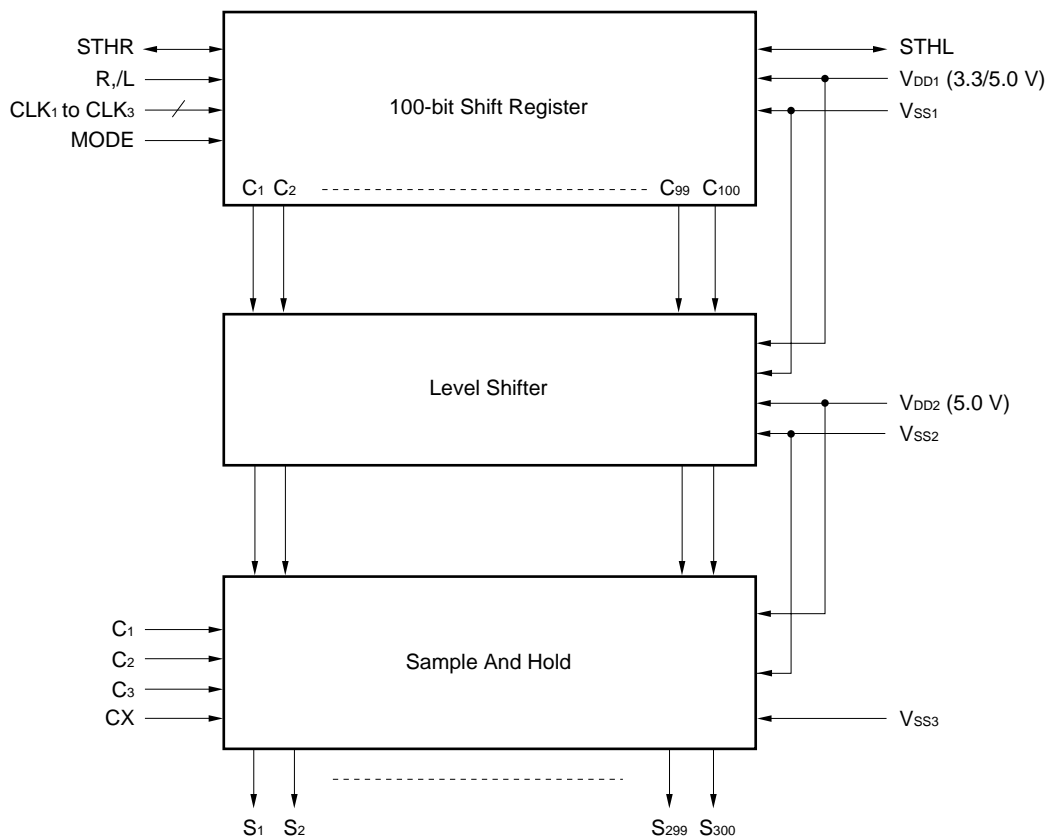
ORDERING INFORMATION

Part Number	Package
μ PD16780AN-xxx	TCP (TAB package)

Remark The TCP's external shape is customized. To order the required shape, so please contact one of our sales representatives.

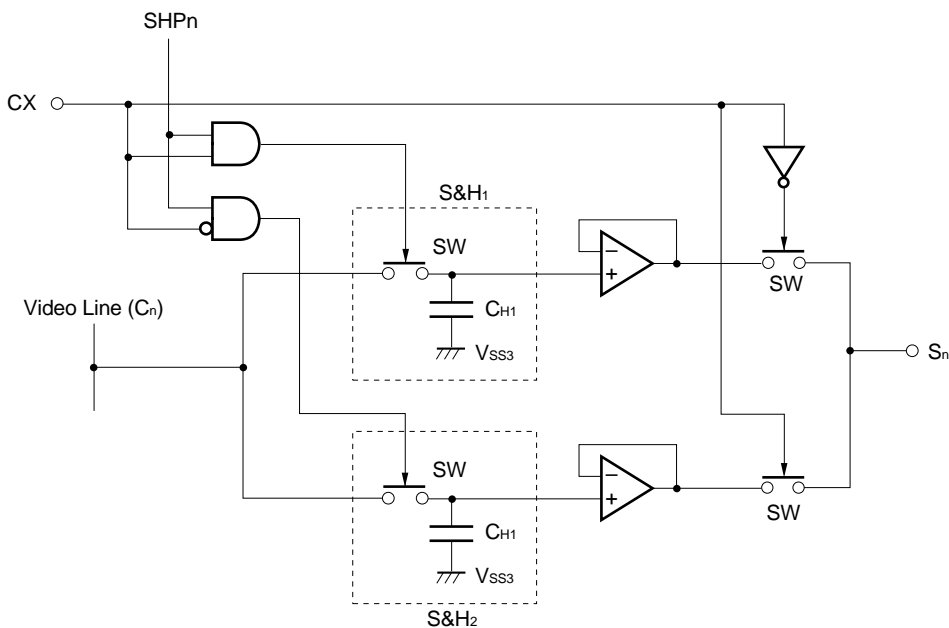
The information in this document is subject to change without notice. Before using this document, please confirm that this is the latest version.
Not all devices/types available in every country. Please check with local NEC representative for availability and additional information.

1. BLOCK DIAGRAM

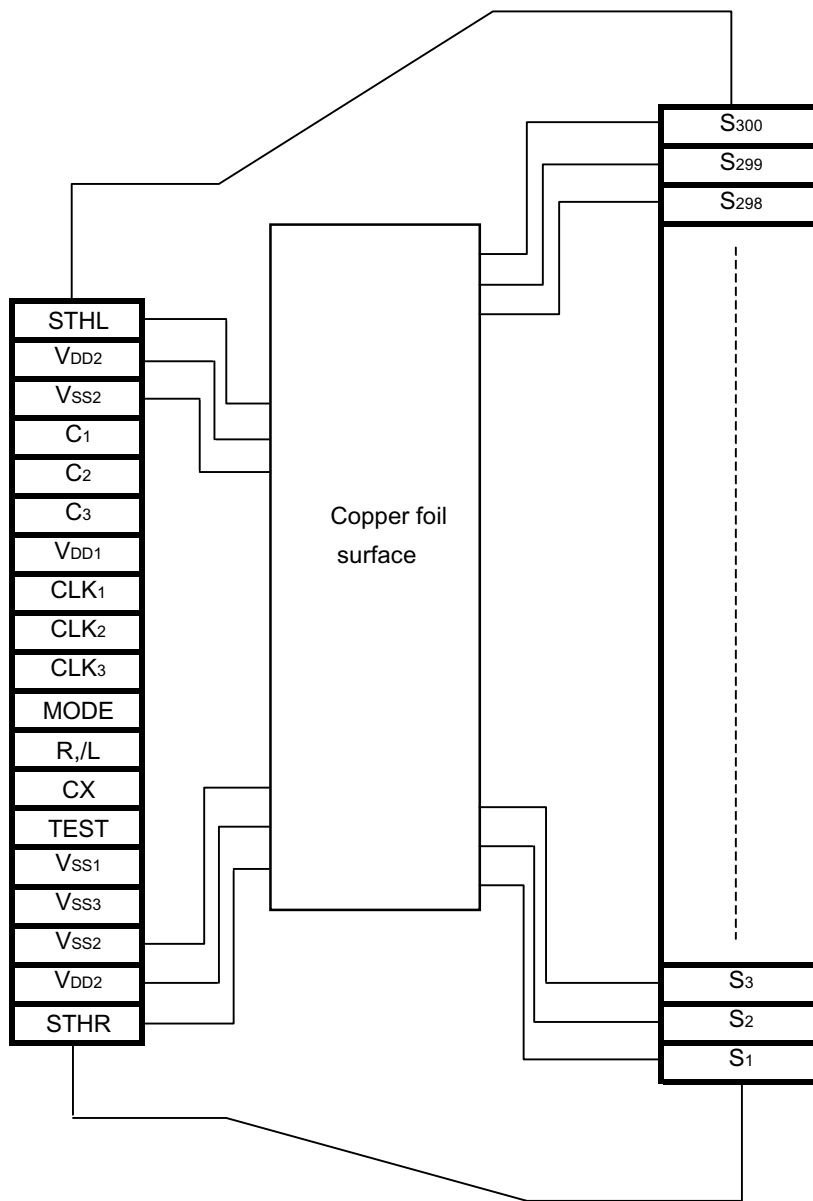


Remark /xxx indicates active low signal.

2. SAMPLE-AND HOLD CIRCUIT AND OUTPUT CIRCUIT



3. PIN CONFIGURATION (μ PD16780AN-xxx) (COPPER FOIL SURFACE, FACE UP)



Remark This figure does not specify the TCP package.

4. PIN FUNCTIONS

Pin Symbol	Pin Name	Description
C ₁ , C ₂ , C ₃	Video signal input	These pins are input video signals R,G, and B.
S ₁ to S ₃₀₀	Video signal output	These pins are output video signals, which have been sampled and hold. The relationship between the video signal input (C ₁ , C ₂ , C ₃) and video signal output is shown below. C ₁ : S _{3n-2} (n = 1, 2,100) C ₂ : S _{3n-1} C ₃ : S _{3n}
STHR, STHL	Cascade I/O	These pins are inputs/outputs for the start pulse for sample and hold timing. High level of STHR/STHL is read at rising edge of CLK and start sampling video signal. STHR serves as the input pin and STHL serves as output pin for the right shift. For left shift, STHL serves as the input pins and STHR serves as the output pin.
R,/L	Shift direction switching input	The shift directions of the shift registers are as follows. R,/L = H: STHR input, S ₁ → S ₃₀₀ , STHL output. R,/L = L: STHL input, S ₃₀₀ → S ₁ , STHR output.
CLK ₁ to CLK ₃	Shift clock input	The start pulse is read at rising edge of CLK. The sampling pulse SHP _n is generated at rising edge of CLK. For details, refer to 6. TIMING CHART . The relationship between the clocks and the output pins is shown below. (1) When MODE = L or open (sequential sampling) CLK ₁ R,/L = H: S _{3n-2} R,/L = L: S _{3n} CLK ₂ :S _{3n-1} CLK ₃ R,/L = H: S _{3n} R,/L = L: S _{3n-2} (1) When MODE = H (simultaneous sampling) CLK ₁ : S _{3n-2} , S _{3n-1} , S _{3n} (n = 1,2,.....100) CLK ₂ : Connect V _{DD1} or V _{SS1} CLK ₃ : Connect V _{DD1} or V _{SS1}
MODE	Mode select signal input pin	This pin is used to select whether the three analog input signals, C ₁ , C ₂ , and C ₃ are sampled simultaneously or sequentially (This pin is pulled down in the IC). MODE = H: Simultaneous sampling MODE = L or open: Sequential sampling
CX	Hold capacitance control input	Two Sample & hold circuits are switched. CX = H S&H1: Sampling, S&H2: Output CX = L S&H1: Output, S&H2: Sampling
TEST	Test pin	Fix this pin to the L level.
V _{DD1}	Logic power supply	3.0 to 5.5 V
V _{DD2}	Driver power supply	5.0 V ± 0.5 V
V _{SS1}	Logic ground	Grounding
V _{SS2}	Driver ground	Grounding
V _{SS3}	Sample & hold ground	It is ground of Sample & hold capacitance. Supply this terminal with the stable GND.

- Cautions**
1. To prevent latch-up-breakdown, the power should be turned on in order V_{DD1}, Logic input V_{DD2}, video signal input. It should be turned off in the opposite order. This relationship should be followed during transition periods as well.
 2. The sampling of the video signal of this IC is only the simultaneous 3 output sampling of C₁, C₂, C₃. Incidentally, it is designing around of the input of the video signal in 10 MHz MAX. If a video signal with a higher frequency is input, the data may not be correctly displayed.
 3. Recommend a bypass capacitor of about 0.1 μF with good high-frequency characteristics between V_{DD1} and V_{SS1}, and V_{DD2} and V_{SS2} in each driver IC.
 4. If noise is superimposed on the start pulse pin, the data may not be displayed. For this reason, be sure to input CX signal during the vertical blanking period.
 5. If the start pulse width is extended by half the clock or longer, the sampling start timing SHP1 does not change from normal timing; therefore, the sampling operation is performed normally.

5. FUNCTION DESCRIPTION

5.1 Switching of Sample & Hold Circuits

Two sample-and-hold circuits are switched.

CX	Output	Sample & hold operation
L	Sample & Hold Circuit 1 (S&H ₁)	Sample & Hold Circuit 2 (S&H ₂)
H	Sample & Hold Circuit 2 (S&H ₂)	Sample & Hold Circuit 1 (S&H ₁)

5.2 Sample & Hold and Output

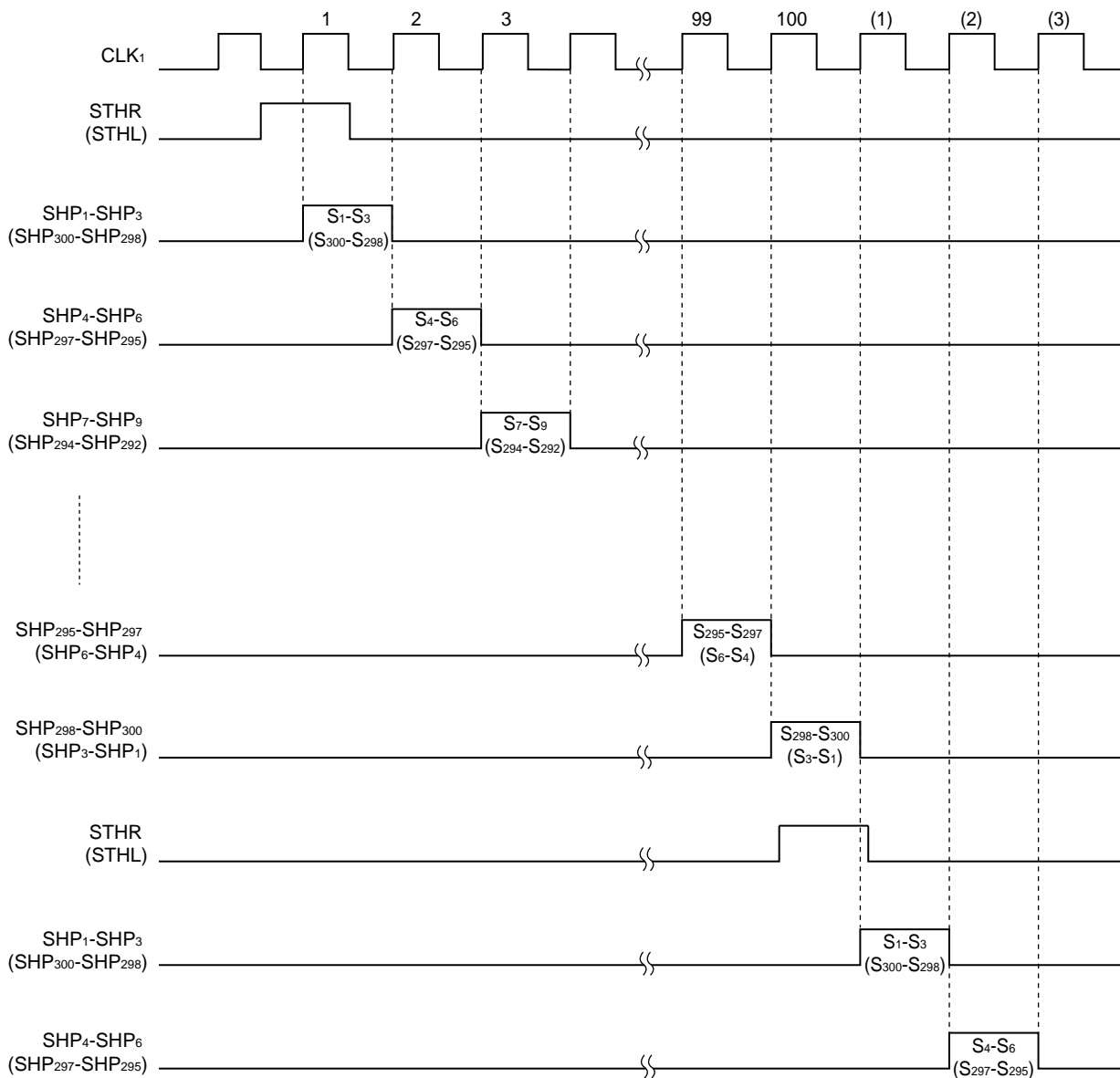
Relation between video signals C₁, C₂ and C₃ and output pins and two sample & hold circuits.

CX		S ₁ (S ₃₀₀)	S ₂ (S ₂₉₉)	S ₃ (S ₂₉₈)	S ₄ (S ₂₉₇)	...	S ₂₉₉ (S ₂)	S ₃₀₀ (S ₁)
L	Sampling	C ₁₋₂ (C ₃₋₂)	C ₂₋₂ (C ₂₋₂)	C ₃₋₂ (C ₁₋₂)	C ₁₋₂ (C ₃₋₂)	...	C ₂₋₂ (C ₂₋₂)	C ₃₋₂ (C ₁₋₂)
	Output	C ₁₋₁ (C ₃₋₁)	C ₂₋₁ (C ₂₋₁)	C ₃₋₁ (C ₁₋₁)	C ₁₋₁ (C ₃₋₁)	...	C ₂₋₁ (C ₂₋₁)	C ₃₋₁ (C ₁₋₁)
H	Sampling	C ₁₋₁ (C ₃₋₁)	C ₂₋₁ (C ₂₋₁)	C ₃₋₁ (C ₁₋₁)	C ₁₋₁ (C ₃₋₁)	...	C ₂₋₁ (C ₂₋₁)	C ₃₋₁ (C ₁₋₁)
	Output	C ₁₋₂ (C ₃₋₂)	C ₂₋₂ (C ₂₋₂)	C ₃₋₂ (C ₁₋₂)	C ₁₋₂ (C ₃₋₂)	...	C ₂₋₂ (C ₂₋₂)	C ₃₋₂ (C ₁₋₂)

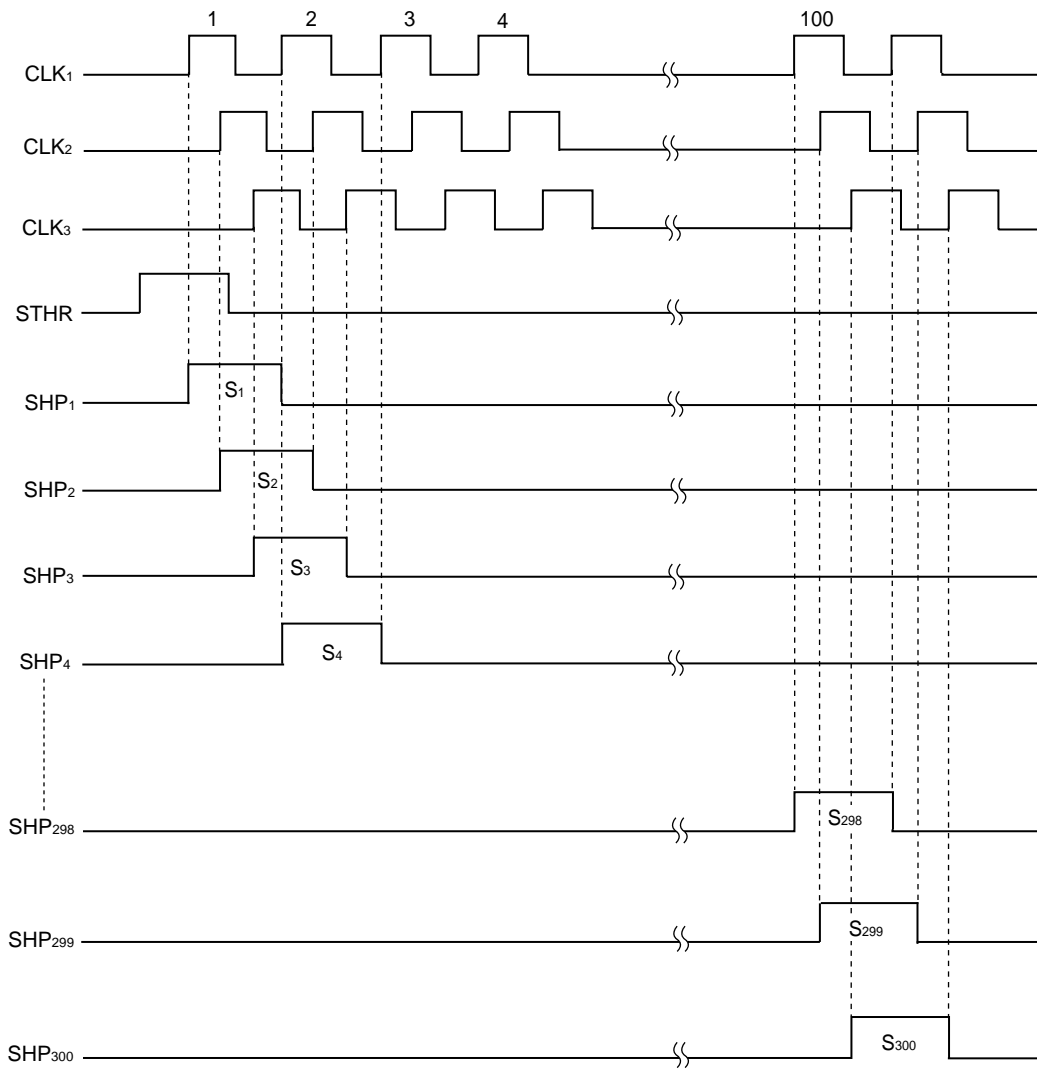
Remark C_{m-n} = m: Video input, n: Sample & Hold

6. TIMING CHART

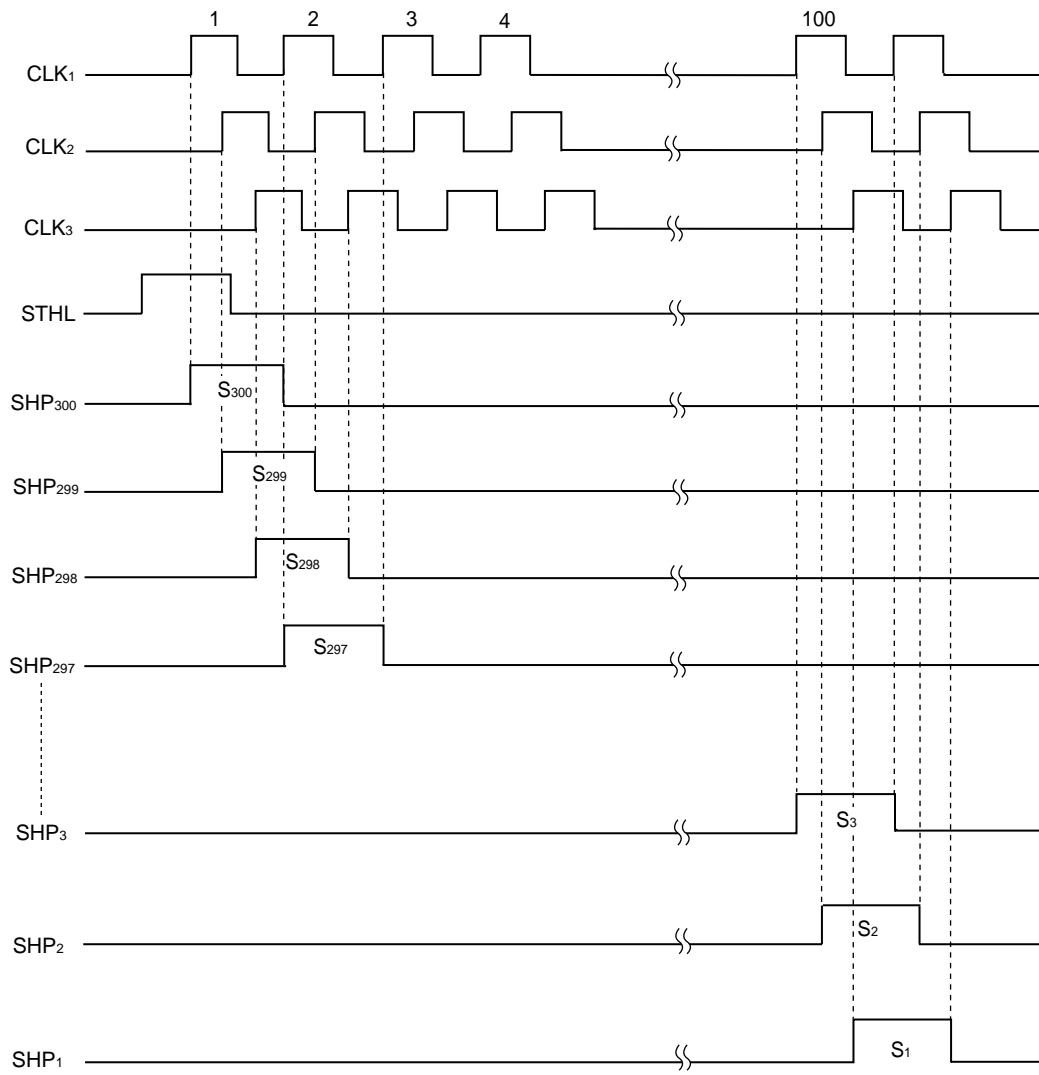
6.1 1-Phase simultaneous sampling



6.2 3-phase sequential sampling, right shift



6.3 3-phase sequential sampling, left shift



7. ELECTRICAL SPECIFICATIONS

Absolute Maximum Ratings (T_A = +25°C, V_{SS1} = V_{SS2} = 0 V)

Parameter	Symbol	Rating	Unit
Logic Part Supply Voltage	V _{DD1}	-0.3 to +7.0	V
Driver Part Supply Voltage	V _{DD2}	-0.3 to +7.0	V
Input Voltage	V _I	-0.3 to V _{DD1/2} + 0.3	V
Output Voltage	V _O	-0.3 to V _{DD1/2} + 0.3	V
Operating Ambient Temperature	T _A	-30 to +85	°C
Storage Temperature	T _{stg}	-55 to +125	°C

Caution Product quality may suffer if the absolute maximum rating is exceeded even momentarily for any parameter. That is, the absolute maximum ratings are rated values at which the product is on the verge of suffering physical damage, and therefore the product must be used under conditions that ensure that the absolute maximum ratings are not exceeded.

Recommended Operating Range (T_A = -30 to +85°C, V_{DD2} ≥ V_{DD1}, V_{SS1} = V_{SS2} = 0 V)

Parameter	Symbol	Conditions	MIN.	TYP.	MAX.	Unit
Logic Part Supply Voltage	V _{DD1}		3.0		5.5	V
Driver Part Supply Voltage	V _{DD2}		4.5	5.0	5.5	V
Video Input Voltage	V _{VI}		V _{SS2} + 0.2		V _{DD2} - 0.2	V
Driver Part Output Voltage	V _{O2}		V _{SS2} + 0.2		V _{DD2} - 0.2	V
Maximum Clock Frequency	f _{CLK}	CLK ₁ to CLK ₃			20	MHz
Output Load Capacitance	C _L	1 output			50	pF

Electrical Characteristics (T_A = -30 to +85°C, V_{DD1} = 3.0 to 5.5 V, V_{DD2} = 5.0 V ± 0.5 V, V_{DD2} ≥ V_{DD1},

V_{SS1} = V_{SS2} = 0 V)

Parameter	Symbol	Conditions	MIN.	TYP.	MAX.	Unit	
Low-Level Driver Part Output Voltage	V _{VOL}	S ₁ to S ₃₀₀			V _{SS2} + 0.2	V	
High-Level Driver Part Output Voltage	V _{VOH}		V _{DD2} - 0.2			V	
★ High-Level Input Voltage	V _{IH}	CLK, STHR (L), R,/L, CX,	0.7 V _{DD1}		V _{DD1}	V	
Low-Level Input Voltage	V _{IL}	MODE	V _{SS1}		0.3 V _{DD1}	V	
Input Leak Current	I _{IL}	Except for MODE pin	-1.0		+1.0	μA	
		MODE pin	V _I = 0 V	-10		+10	μA
			V _I = V _{DD1} = 5 V	30		300	μA
High-Level Output Voltage	V _{LOH}	STHR (STHL), I _{OH} = -1.0 mA	0.85 V _{DD1}			V	
Low-Level Output Voltage	V _{LOH}	STHR (STHL), I _{OL} = +1.0 mA			0.15 V _{DD1}	V	
Reference Voltage	V _{REF1}	V _{DD2} = 5.0 V, V _{VI} = 0.5 V, T _A = 25°C		0.5		V	
	V _{REF2}	V _{DD2} = 5.0 V, V _{VI} = 2.5 V, T _A = 25°C		2.5		V	
	V _{REF3}	V _{DD2} = 5.0 V, V _{VI} = 4.5 V, T _A = 25°C		4.5		V	
Output Voltage Deviation	ΔV _{VO1}	V _{DD2} = 5.0 V, V _{VI} = 0.5 V, T _A = 25°C			±20	mV	
	ΔV _{VO2}	V _{DD2} = 5.0 V, V _{VI} = 2.5 V, T _A = 25°C			±20	mV	
	ΔV _{VO3}	V _{DD2} = 5.0 V, V _{VI} = 4.5 V, T _A = 25°C			±20	mV	
Logic Dynamic Current Consumption	I _{DD1}	V _{DD1} = 5.0 V with no load ^{Note}		1.0	3.5	mA	
Driver Dynamic Current Consumption	I _{DD2}	V _{DD2} = 5.0 V with no load ^{Note}		7.0	10.0	mA	

Note f_{CLK} = 15 MHz, f_{CX} = 17 kHz.

Switching Characteristics ($T_A = -30$ to $+85^\circ\text{C}$, $V_{DD1} = 3.0$ to 5.5 V, $V_{DD2} = 5.0$ V \pm 0.5 V, $V_{DD2} \geq V_{DD1}$, $V_{SS1} = V_{SS2} = 0$ V)

Parameter	Symbol	Conditions	MIN.	TYP.	MAX.	Unit
Start Pulse Delay Time	t _{PHL1}	C _L = 20 pF	7		43	ns
	t _{PLH1}	CLK → STHL(STHR)	7		43	ns
Driver Output Delay Time	t _{PLH2}	V _{DD2} = 5.0 V			8	μs
	t _{PLH3}	R _L = 2 kΩ			16	μs
	t _{PHL2}	C _L = 25 pF x 2			8	μs
	t _{PHL3}				16	μs
Input Capacitance	C _{I1}	STHR(STHL), T _A =25°C		10	20	pF
	C _{I2}	C ₁ , C ₂ , C ₃ , T _A =25°C		40	60	pF
	C _{I3}	STHR(STHL), C ₁ , C ₂ , C ₃ excluded input, T _A =25°C		7	15	pF

Timing Requirement ($T_A = -30$ to $+85^\circ\text{C}$, $V_{DD1} = 3.0$ to 5.5 V, $V_{SS1} = 0$ V)

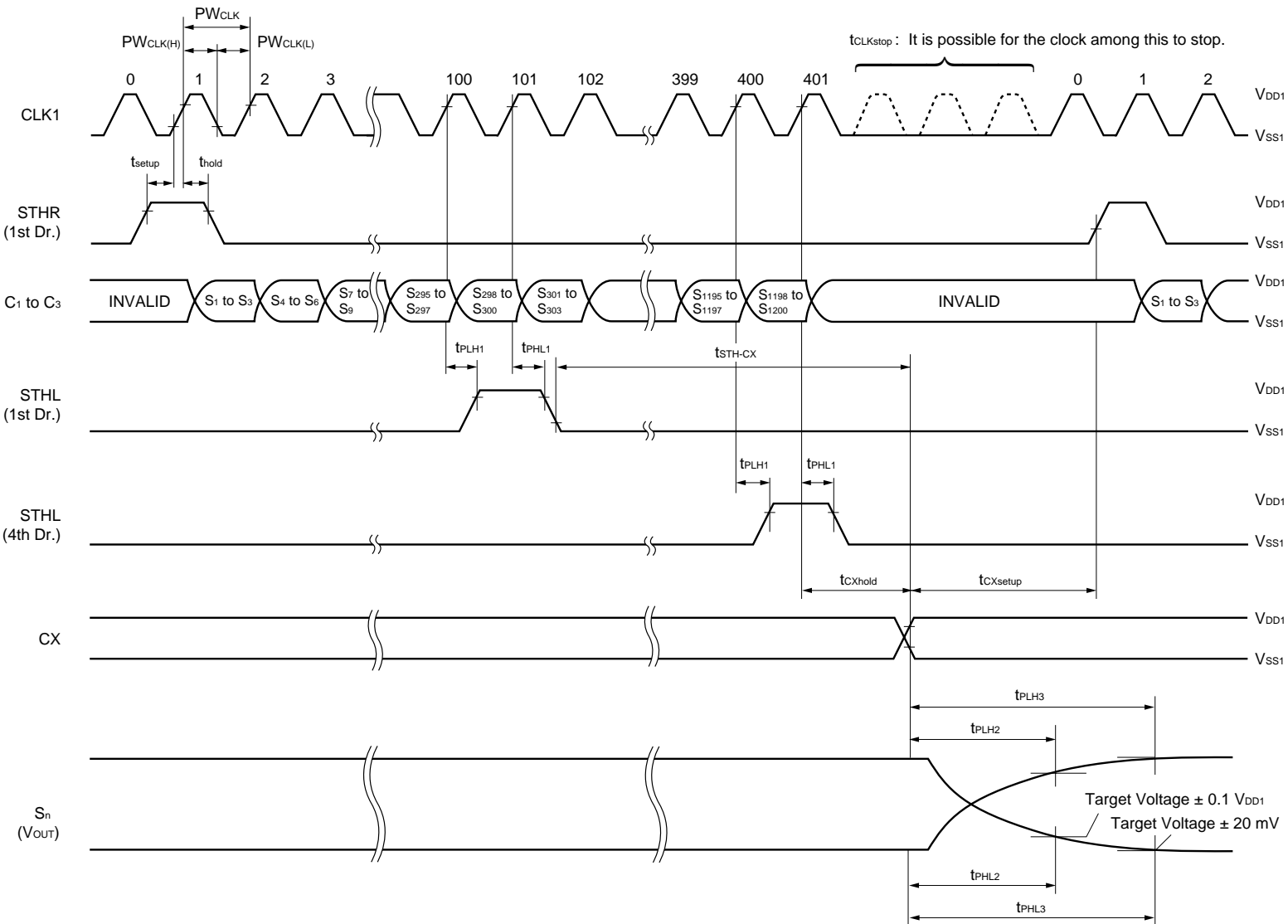
Parameter	Symbol	Conditions	MIN.	TYP.	MAX.	Unit
Clock Pulse Width	PW _{CLK}	CLK ₁ to CLK ₃	50			ns
Clock Pulse High Period	PW _{CLK(H)}		15			ns
Clock Pulse Low Period	PW _{CLK(L)}		15			ns
★ Clock Delay Time	t _{CL1-2} t _{CL2-3}		16.6		$\frac{PW_{CLK}}{2}$	ns
Start Pulse Setup Time	t _{setup}		7			ns
Start Pulse Setup Time	t _{hold}		7			ns
Start Pulse – CX Time	t _{STH-CX}		50			ns
CX Setup Time	t _{CXsetup}		1.0			μs
CX Hold Time	t _{CXhold}		50			ns
CLK Stop Period	t _{CLKstop}		Refer to 8. SWITCHING CHARACTERISTICS WAVEFORM.			

Remark Unless otherwise specified, the input level is defined to be V_{IH} = 0.7 V_{DD1}, V_{IL} = 0.3 V_{DD1}.

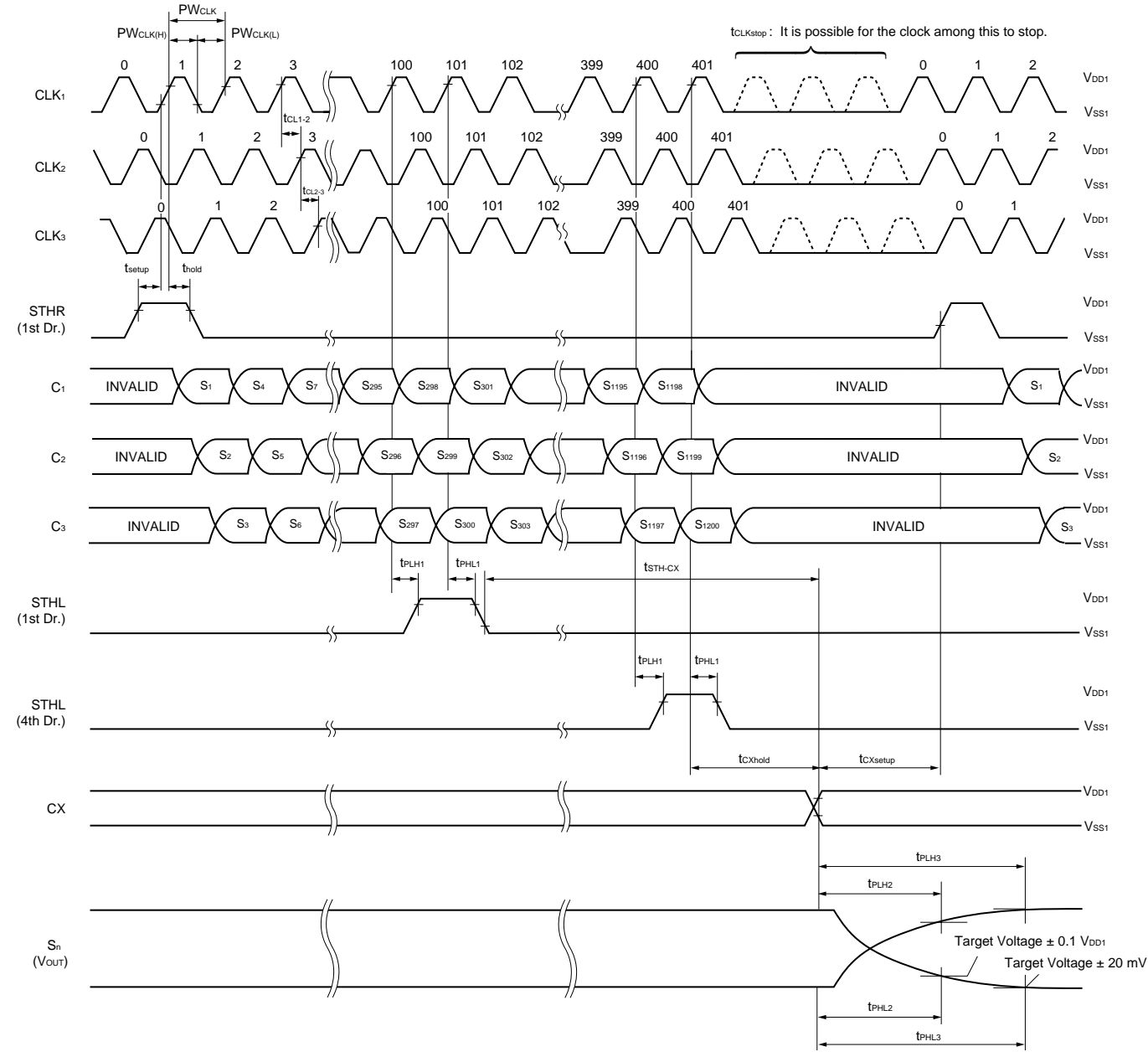
8. SWITCHING CHARACTERISTICS WAVEFORM (R,I,L=H)

Unless otherwise specified, the input level is defined to be $V_{IH} = 0.7 V_{DD1}$, $V_{IL} = 0.3 V_{DD1}$.

8.1 1-Phase simultaneous sampling



★ 8.2 3-phase sequential sampling



9. RECOMMENDED MOUNTING CONDITIONS

The following conditions must be met for mounting conditions of the μ PD16780A.

For more details, refer to the **Semiconductor Device Mounting Technology Manual(C10535E)**.

Please consult with our sales offices in case other mounting process is used, or in case the mounting is done under different conditions.

μ PD16780AN-xxx : TCP(TAB Package)

Mounting Condition	Mounting Method	Condition
Thermocompression	Soldering	Heating tool 300 to 350°C, heating for 2 to 3 sec ; pressure 100g(per solder)
	ACF (Adhesive Conductive Film)	Temporary bonding 70 to 100°C ; pressure 3 to 8 kg/cm2; time 3 to 5 sec. Real bonding 165 to 180°C pressure 25 to 45 kg/cm2 time 30 to 40 secs (When using the anisotropy conductive film SUMIZAC1003 of Sumitomo Bakelite, Ltd).

Caution To find out the detailed conditions for mounting the ACF part, please contact the ACF manufacturing company. Be sure to avoid using two or more mounting methods at a time.

NOTES FOR CMOS DEVICES**① PRECAUTION AGAINST ESD FOR SEMICONDUCTORS**

Note:

Strong electric field, when exposed to a MOS device, can cause destruction of the gate oxide and ultimately degrade the device operation. Steps must be taken to stop generation of static electricity as much as possible, and quickly dissipate it once, when it has occurred. Environmental control must be adequate. When it is dry, humidifier should be used. It is recommended to avoid using insulators that easily build static electricity. Semiconductor devices must be stored and transported in an anti-static container, static shielding bag or conductive material. All test and measurement tools including work bench and floor should be grounded. The operator should be grounded using wrist strap. Semiconductor devices must not be touched with bare hands. Similar precautions need to be taken for PW boards with semiconductor devices on it.

② HANDLING OF UNUSED INPUT PINS FOR CMOS

Note:

No connection for CMOS device inputs can be cause of malfunction. If no connection is provided to the input pins, it is possible that an internal input level may be generated due to noise, etc., hence causing malfunction. CMOS devices behave differently than Bipolar or NMOS devices. Input levels of CMOS devices must be fixed high or low by using a pull-up or pull-down circuitry. Each unused pin should be connected to V_{DD} or GND with a resistor, if it is considered to have a possibility of being an output pin. All handling related to the unused pins must be judged device by device and related specifications governing the devices.

③ STATUS BEFORE INITIALIZATION OF MOS DEVICES

Note:

Power-on does not necessarily define initial status of MOS device. Production process of MOS does not define the initial operation status of the device. Immediately after the power source is turned ON, the devices with reset function have not yet been initialized. Hence, power-on does not guarantee out-pin levels, I/O settings or contents of registers. Device is not initialized until the reset signal is received. Reset operation must be executed immediately after power-on for devices having reset function.

Reference Documents

NEC Semiconductor Device Reliability/Quality Control System(C10983E)

Quality Grades to NEC's Semiconductor Devices(C11531E)

- **The information in this document is current as of November, 2000. The information is subject to change without notice. For actual design-in, refer to the latest publications of NEC's data sheets or data books, etc., for the most up-to-date specifications of NEC semiconductor products. Not all products and/or types are available in every country. Please check with an NEC sales representative for availability and additional information.**
 - No part of this document may be copied or reproduced in any form or by any means without prior written consent of NEC. NEC assumes no responsibility for any errors that may appear in this document.
 - NEC does not assume any liability for infringement of patents, copyrights or other intellectual property rights of third parties by or arising from the use of NEC semiconductor products listed in this document or any other liability arising from the use of such products. No license, express, implied or otherwise, is granted under any patents, copyrights or other intellectual property rights of NEC or others.
 - Descriptions of circuits, software and other related information in this document are provided for illustrative purposes in semiconductor product operation and application examples. The incorporation of these circuits, software and information in the design of customer's equipment shall be done under the full responsibility of customer. NEC assumes no responsibility for any losses incurred by customers or third parties arising from the use of these circuits, software and information.
 - While NEC endeavours to enhance the quality, reliability and safety of NEC semiconductor products, customers agree and acknowledge that the possibility of defects thereof cannot be eliminated entirely. To minimize risks of damage to property or injury (including death) to persons arising from defects in NEC semiconductor products, customers must incorporate sufficient safety measures in their design, such as redundancy, fire-containment, and anti-failure features.
 - NEC semiconductor products are classified into the following three quality grades:
"Standard", "Special" and "Specific". The "Specific" quality grade applies only to semiconductor products developed based on a customer-designated "quality assurance program" for a specific application. The recommended applications of a semiconductor product depend on its quality grade, as indicated below. Customers must check the quality grade of each semiconductor product before using it in a particular application.
"Standard": Computers, office equipment, communications equipment, test and measurement equipment, audio and visual equipment, home electronic appliances, machine tools, personal electronic equipment and industrial robots
"Special": Transportation equipment (automobiles, trains, ships, etc.), traffic control systems, anti-disaster systems, anti-crime systems, safety equipment and medical equipment (not specifically designed for life support)
"Specific": Aircraft, aerospace equipment, submersible repeaters, nuclear reactor control systems, life support systems and medical equipment for life support, etc.
- The quality grade of NEC semiconductor products is "Standard" unless otherwise expressly specified in NEC's data sheets or data books, etc. If customers wish to use NEC semiconductor products in applications not intended by NEC, they must contact an NEC sales representative in advance to determine NEC's willingness to support a given application.
- (Note)
- (1) "NEC" as used in this statement means NEC Corporation and also includes its majority-owned subsidiaries.
(2) "NEC semiconductor products" means any semiconductor product developed or manufactured by or for NEC (as defined above).