



# SMA Female Connector Solder Attachment 2 Hole Flange Mount Tab Terminal, .481 inch Hole Spacing

## RF Connectors Technical Data Sheet

**PE4370**

### Configuration

- SMA Female Connector
- MIL-STD-348
- 50 Ohms
- Straight Body Geometry
- Tab Interface Type
- Solder Attachment
- 2 Hole Flange

### Features

- Max. Operating Frequency 18 GHz
- Gold Plated Beryllium Copper Contact
- Contact plating according to MIL-G-45204

### Applications

- General Purpose Test
- Rack and Panel Mount Applications

### Description

Pasternack's PE4370 SMA female 2 hole flange mount connector with solder attachment tab terminal (.481 inch hole spacing) is part of our full line of RF components available for same-day shipping. Our SMA female connector operates up to a maximum frequency of 18 GHz. This SMA 2 hole flange connector allows designers to create external connections on their product enclosures, and can be used in a variety of other rack mount and panel mount applications.

Our SMA female 2 hole flange connector PE4370 datasheet specifications and drawing with dimensions are shown below in this PDF. Pasternack's broad catalog of RF, microwave and millimeter wave connectors allows designers to configure and customize their signal connections however they like. Whether the need is to provide an I/O for a board design, or simply create a custom cable assembly configuration, Pasternack has the right connector for the job. Pasternack can also expertly build your custom cable assemblies for you and ship same-day.

### Electrical Specifications

| Description     | Minimum | Typical | Maximum | Units |
|-----------------|---------|---------|---------|-------|
| Frequency Range | DC      |         | 18      | GHz   |

### Mechanical Specifications

|             |                     |
|-------------|---------------------|
| <b>Size</b> |                     |
| Length      | 0.475 in [12.07 mm] |
| Width/Dia.  | 0.223 in [5.66 mm]  |
| Height      | 0.625 in [15.88 mm] |
| Weight      | 0.005 lbs [2.27 g]  |

Click the following link (or enter part number in "SEARCH" on website) to obtain additional part information including price, inventory and certifications: [SMA Female Connector Solder Attachment 2 Hole Flange Mount Tab Terminal, .481 inch Hole Spacing PE4370](#)



SMA Female Connector Solder Attachment 2 Hole  
 Flange Mount Tab Terminal, .481 inch Hole Spacing

## RF Connectors Technical Data Sheet

**PE4370**

### Material Specifications

| Description | Material         | Plating             |
|-------------|------------------|---------------------|
| Contact     | Beryllium Copper | Gold<br>MIL-G-45204 |
| Insulation  | PTFE             |                     |
| Body        | Stainless Steel  | Gold<br>MIL-G-45204 |

### Environmental Specifications

#### Temperature

Operating Range -65 to +165 deg C

**Compliance Certifications** (see [product page](#) for current document)

### Plotted and Other Data

Notes:

### Assembly Instruction

SMA Female Connector Solder Attachment 2 Hole Flange Mount Tab Terminal, .481 inch Hole Spacing from Pasternack Enterprises has same day shipment for domestic and International orders. Our RF, microwave and millimeter wave products maintain a 99.4% availability and are part of the broadest selection in the industry.

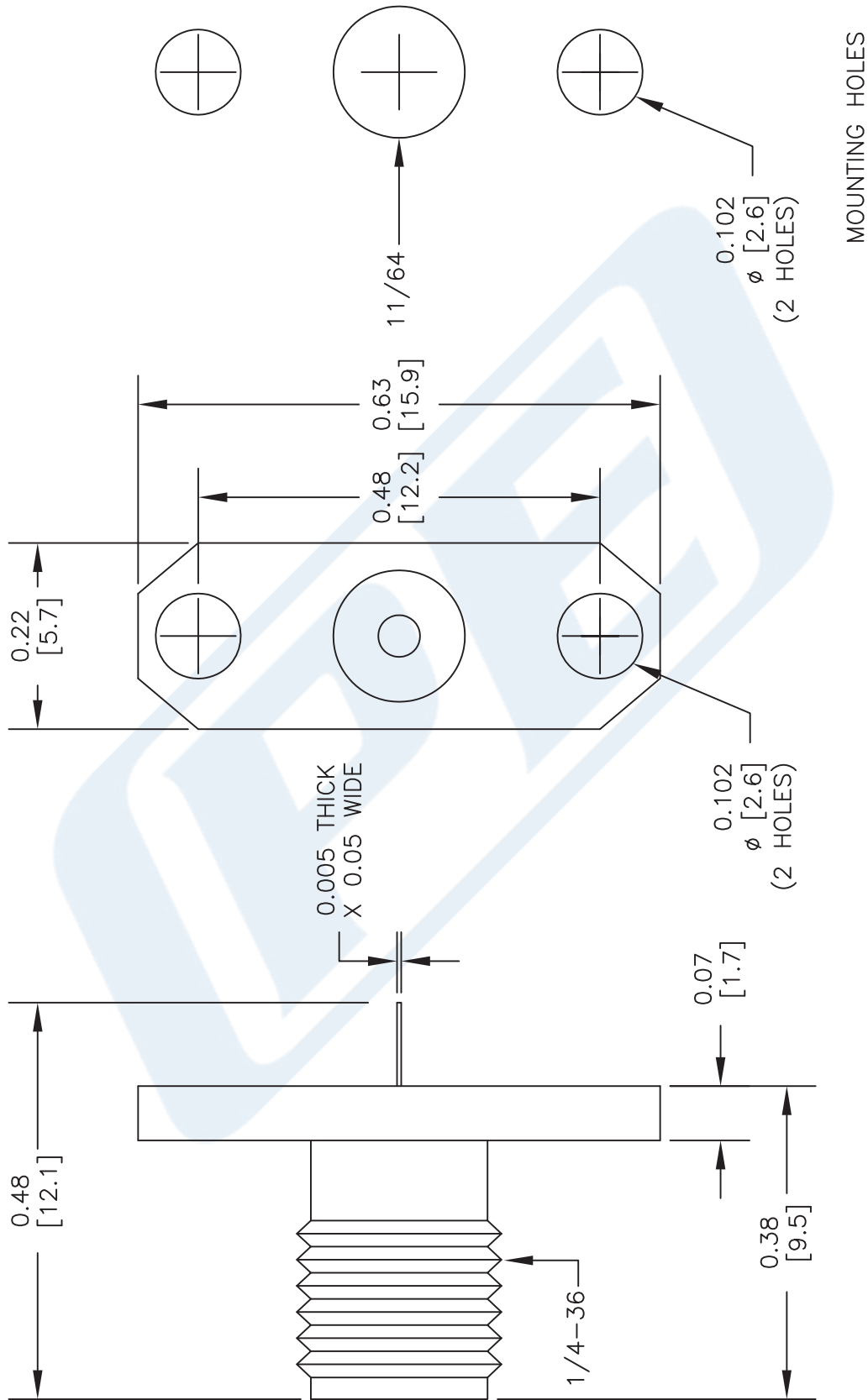
Click the following link (or enter part number in "SEARCH" on website) to obtain additional part information including price, inventory and certifications: [SMA Female Connector Solder Attachment 2 Hole Flange Mount Tab Terminal, .481 inch Hole Spacing PE4370](#)

URL: <https://www.pasternack.com/sma-female-standard-tab-terminal-connector-pe4370-p.aspx>

The information contained in this document is accurate to the best of our knowledge and representative of the part described herein. It may be necessary to make modifications to the part and/or the documentation of the part, in order to implement improvements. Pasternack reserves the right to make such changes as required. Unless otherwise stated, all specifications are nominal. Pasternack does not make any representation or warranty regarding the suitability of the part described herein for any particular purpose, and Pasternack does not assume any liability arising out of the use of any part or documentation.

# PE4370 CAD Drawing

SMA Female Connector Solder Attachment 2 Hole Flange  
Mount Tab Terminal, .481 inch Hole Spacing



NOTES:  
 1. UNLESS OTHERWISE SPECIFIED ALL DIMENSIONS ARE NOMINAL.  
 2. ALL SPECIFICATIONS ARE SUBJECT TO CHANGE WITHOUT NOTICE AT ANY TIME.  
 3. DIMENSIONS ARE IN INCHES [mm].

DWG TITLE

**PE4370**

FSCM NO. 53919

CAD FILE 013114

SCALE N/A

SIZE A

150

**(PE) PASTERNAK®**  
 THE ENGINEER'S RF SOURCE

Pasternack Enterprises, Inc.  
 P.O. Box 16759 | Irvine | CA | 92623  
 Phone: (949) 261-1920 | Fax: (949) 261-7451  
 Website: www.pasternack.com | E-Mail: sales@pasternack.com