

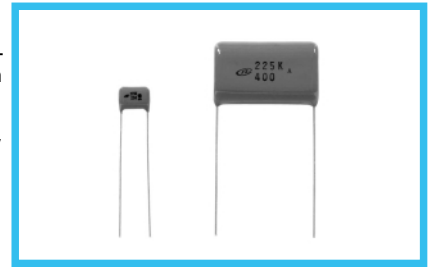
PLASTIC FILM CAPACITORS



XK Metallized Polyester Film Capacitor
series (Extended Standard Type)



- Highly reliable and superior performance in high frequency applications, self-healing and non-inductive construction, using a dielectric made of polyethylene terephthalate film covered with vacuum-evaporated metal.
- Large capacitance in small dimensions.
- Finished by inner dipping with liquid epoxy resin and outer coating with flame-retardant epoxy resin, those double coating provides excellent humidity resistance.
- Designed 1mm max. of epoxy on lead wire for best performance at soldering process on P.C. board assemblies.
- Compliant to the RoHS directive (2011/65/EU).



Applications

- General electronic and communications equipment. Contact us for details for use in AC circuits.
- However, do not use this product for across-the-line applications.

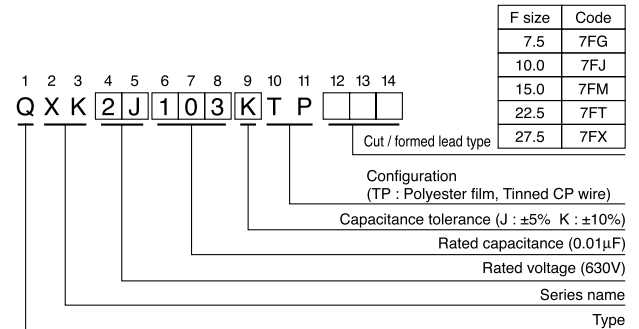
Specifications

| Item | Performance Characteristics |
|----------------------------|---|
| Category Temperature Range | -40 to +105°C (Rated temperature : 85°C) |
| Rated Voltage (Ur) | 250, 400, 630VDC |
| Rated Capacitance Range | 0.01 to 10μF |
| Capacitance Tolerance | ±5% (J)※, ±10% (K) |
| Dielectric Loss Tangent | 0.8% or less (at 1kHz 20°C) |
| Insulation Resistance | C ≤ 0.33μF : 9000 MΩ or more C > 0.33μF : 3000 ΩF or more |
| Withstand Voltage | Between Terminals : Rated Voltage × 175%, 1 to 5 secs. Between Terminals and Coverage : Rated Voltage × 200%, 1 to 5 secs. |
| Encapsulation | Flame retardant epoxy resin |

※ Except for 250VDC 0.01 to 0.15μF
400VDC 0.01 to 0.033μF

Category voltage = $U_r \times 0.7$

Type numbering system (Example : 630V 0.01μF)



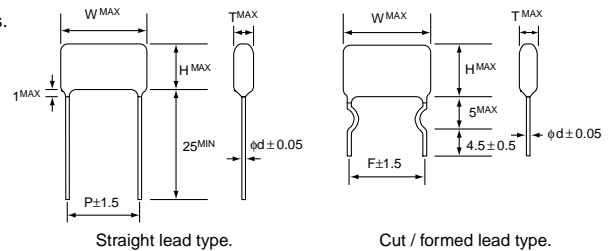
AC Voltage

- AC Voltage (Operating at 50 / 60Hz AC circuit) shall be as follows. However, do not use this product for across-the-line applications.

| DC Rated Voltage | 250VDC | 400VDC | 630VDC |
|------------------|--------|--------|--------|
| AC Voltage | 125VAC | 200VAC | 250VAC |

※ When operating capacitors in the high frequency circuit, maximum permissible value (Vc) can be calculated from table 2, provided that the effective current (Ie) and the effective VA (Ve x Ve) shall not exceed the values specified in table 4. Shown in Pages 380, 383.

Drawing



Dimensions

| Cap.(μF) | V(Code) Size Code | 250VDC (2E) | | | | | | 400VDC (2G) | | | | | | 630VDC (2J) | | | | | |
|----------|-------------------------|-------------|------|------|-----|------|------|-------------|------|------|-----|------|------|-------------|------|------|-----|------|------|
| | | T | W | H | d | P | F | T | W | H | d | P | F | T | W | H | d | P | F |
| 0.01 | 103 | 4.4 | 11.0 | 8.1 | 0.6 | 7.5 | 7.5 | 4.4 | 11.0 | 8.1 | 0.6 | 7.5 | 7.5 | 4.4 | 13.5 | 9.5 | 0.6 | 10.0 | 10.0 |
| 0.015 | 153 | 5.0 | 11.0 | 8.7 | 0.6 | 7.5 | 7.5 | 5.0 | 11.0 | 8.7 | 0.6 | 7.5 | 7.5 | 4.7 | 13.5 | 9.8 | 0.6 | 10.0 | 10.0 |
| 0.022 | 223 | 4.4 | 11.0 | 8.5 | 0.6 | 7.5 | 7.5 | 4.3 | 11.0 | 8.4 | 0.6 | 7.5 | 7.5 | 5.1 | 13.5 | 10.8 | 0.6 | 10.0 | 10.0 |
| 0.033 | 333 | 4.4 | 11.0 | 8.5 | 0.6 | 7.5 | 7.5 | 4.9 | 11.0 | 9.1 | 0.6 | 7.5 | 7.5 | 5.9 | 13.5 | 11.6 | 0.6 | 10.0 | 10.0 |
| 0.047 | 473 | 4.0 | 11.0 | 8.1 | 0.6 | 7.5 | 7.5 | 4.7 | 13.5 | 9.8 | 0.6 | 10.0 | 10.0 | 6.4 | 13.5 | 13.7 | 0.6 | 10.0 | 10.0 |
| 0.068 | 683 | 4.7 | 11.0 | 8.7 | 0.6 | 7.5 | 7.5 | 5.4 | 13.5 | 10.5 | 0.6 | 10.0 | 10.0 | 5.8 | 18.5 | 11.5 | 0.6 | 15.0 | 15.0 |
| 0.1 | 104 | 5.2 | 11.0 | 9.4 | 0.6 | 7.5 | 7.5 | 6.1 | 13.5 | 11.7 | 0.6 | 10.0 | 10.0 | 6.4 | 18.5 | 13.7 | 0.6 | 15.0 | 15.0 |
| 0.15 | 154 | 6.1 | 11.0 | 10.3 | 0.6 | 7.5 | 7.5 | 5.1 | 18.5 | 12.4 | 0.6 | 15.0 | 15.0 | 7.1 | 18.5 | 15.9 | 0.6 | 15.0 | 15.0 |
| 0.22 | 224 | 5.9 | 13.5 | 11.0 | 0.6 | 10.0 | 10.0 | 5.9 | 18.5 | 13.2 | 0.6 | 15.0 | 15.0 | 9.6 | 18.5 | 15.3 | 0.6 | 15.0 | 15.0 |
| 0.33 | 334 | 6.7 | 13.5 | 12.4 | 0.6 | 10.0 | 10.0 | 7.6 | 18.5 | 13.3 | 0.6 | 15.0 | 15.0 | 7.9 | 25.5 | 16.7 | 0.8 | 22.5 | 22.5 |
| 0.47 | 474 | 5.5 | 18.5 | 12.8 | 0.6 | 15.0 | 15.0 | 8.3 | 18.5 | 15.6 | 0.6 | 15.0 | 15.0 | 9.4 | 25.5 | 18.2 | 0.8 | 22.5 | 22.5 |
| 0.68 | 684 | 6.0 | 18.5 | 14.8 | 0.6 | 15.0 | 15.0 | 7.2 | 25.5 | 16.1 | 0.8 | 22.5 | 22.5 | 11.3 | 25.5 | 20.1 | 0.8 | 22.5 | 22.5 |
| 1.0 | 105 | 7.1 | 18.5 | 16.0 | 0.6 | 15.0 | 15.0 | 8.7 | 25.5 | 17.6 | 0.8 | 22.5 | 22.5 | 12.0 | 30.5 | 21.0 | 0.8 | 27.5 | 27.5 |
| 1.5 | 155 | 9.9 | 18.5 | 15.6 | 0.6 | 15.0 | 15.0 | 9.4 | 30.5 | 18.5 | 0.8 | 27.5 | 27.5 | 14.8 | 30.5 | 23.8 | 0.8 | 27.5 | 27.5 |
| 2.2 | 225 | 8.1 | 25.5 | 17.0 | 0.8 | 22.5 | 22.5 | 11.5 | 30.5 | 20.5 | 0.8 | 27.5 | 27.5 | 18.5 | 30.5 | 28.0 | 0.8 | 27.5 | 27.5 |
| 3.3 | 335 | 10.0 | 25.5 | 18.8 | 0.8 | 22.5 | 22.5 | | | | | | | | | | | | |
| 4.7 | 475 | 12.0 | 25.5 | 20.8 | 0.8 | 22.5 | 22.5 | | | | | | | | | | | | |
| 6.8 | 685 | 12.7 | 30.5 | 21.8 | 0.8 | 27.5 | 27.5 | | | | | | | | | | | | |
| 10.0 | 106 | 15.6 | 30.5 | 24.7 | 0.8 | 27.5 | 27.5 | | | | | | | | | | | | |

F : lead pitch for cut / formed lead wires

Please contact us and let us know the specification you need.