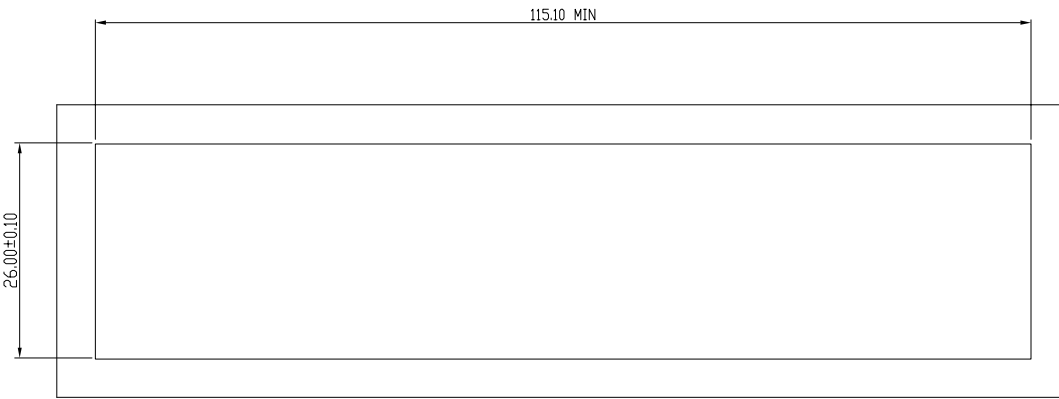


1. FULL RADIUS TYP. ON END OF PINS TO ASSIST ENTRY INTO PCB HOLES.  
2. FREE OF BURRS AND OVERHANGS.

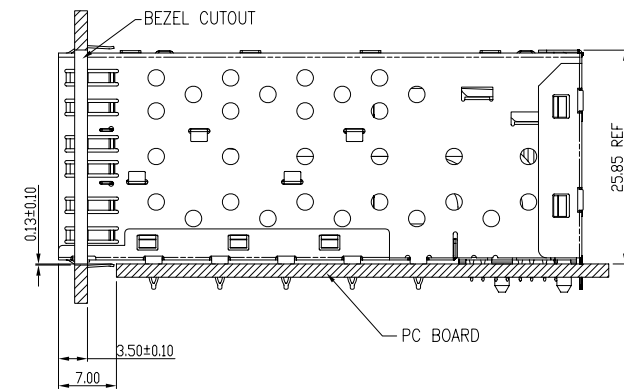
Qty Per:	TRAY	CARTON		
	3	18		
PART NUMBER	STATEMENT			
SFP0-3000-L	INNER/OUTER LIGHT PIPES			
	INNER LIGHT PIPES			
	OUTER LIGHT PIPES			
No.	DESCRIPTION	Q'ty	MATERIAL	PLATING
01	SFP CAGE (Non-Logo)	1	COPPER ALLOY	
02	CONNECTOR	8	HIGH TEMP/COPPER ALLOY	GOLD
03	LIGHT PIPES	8	POLYCARBONITE	

DETACHED LISTS	MM (INCH)	RoHS Compliant		Pulse A TECHNITROL COMPANY	
	TOLERANCES EXCEPT AS NOTED	TITLE			
	MM .0 ± 0.25 ± .00 ± 0.20 ± .000 ± 0.10 ±	W/LIGHT PIPES			
ANGLES ± 0.5	SFP 2 by 8 CAGE+CONNECTOR_P				
THIRD ANGLE PROJECTION	DFTD Jack	DRAWING NO. CSFP0-3000-L	SIZE	REV	
	DATE 1/05/2010	/PART NO. SFP0-3000-L	A3	0	
	SCALE : 1	DO NOT SCALE DRAWING	SHEET 1	OF 4	

8 | 7 | 6 | 5 | 4 | 3 | 2 | 1



BEZEL CUT-OUT CENTER SPACING DETAIL  
BEZEL THICKNESS:0.8-2.6



8

7

6

5

4

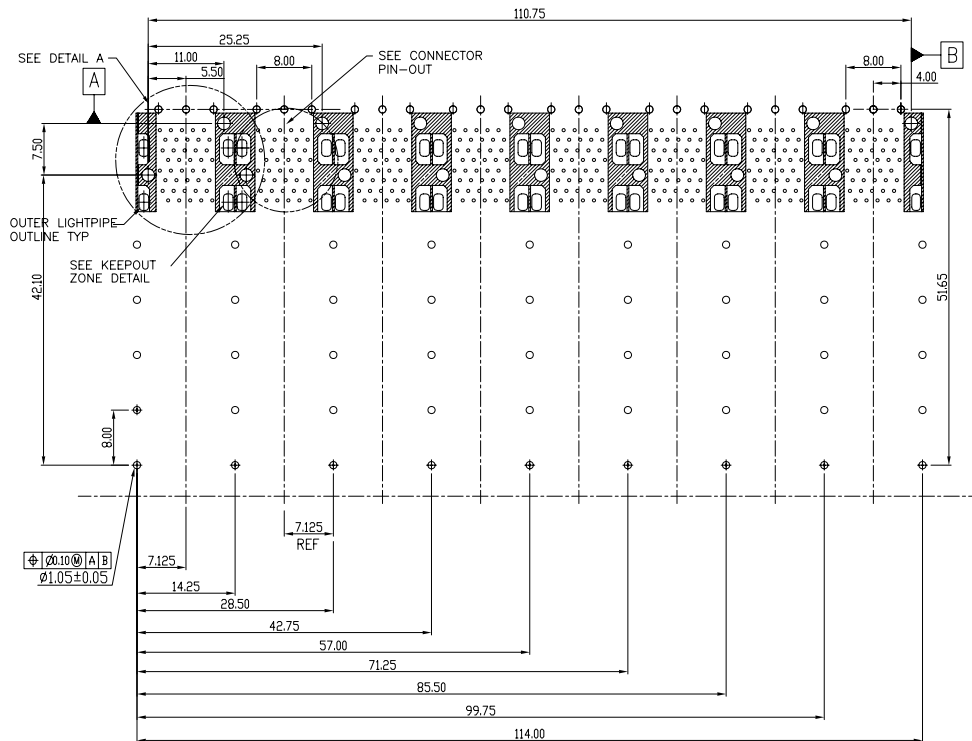
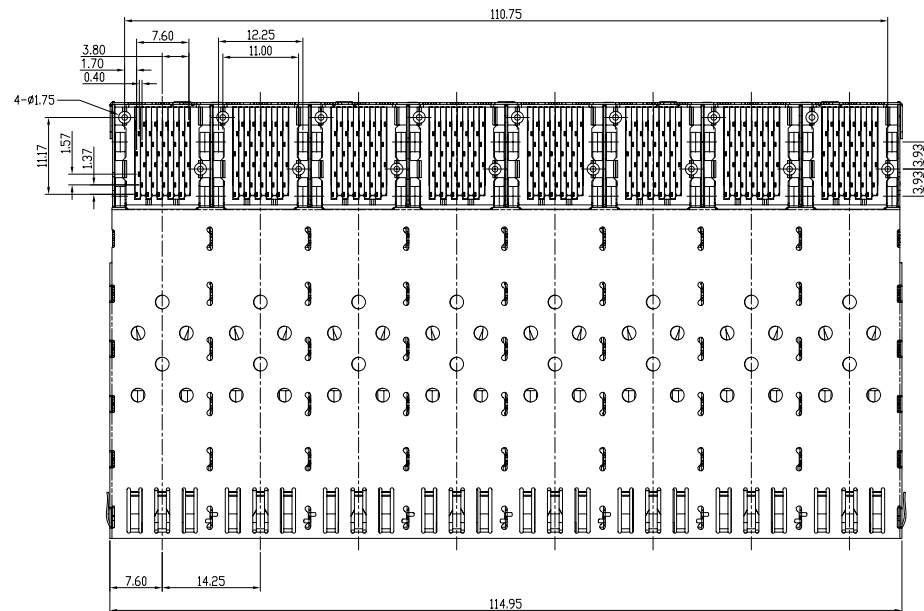
3

2

1

DETACHED LISTS	MM (INCH)		<b>RoHS Compliant</b>			
	TOLERANCES EXCEPT AS NOTED		TITLE SFP 2 by 8 CAGE+CONNECTOR_P W/LIGHT PIPES			
	MM					
	.0 ± 0.25	±				
.00 ± 0.20	±	DRAWING NO. CSFP0-3000-L /PART NO. SFP0-3000-L				
.000 ± 0.10	±					
ANGLES ± 0.5		DATE 1/05/2010		SCALE : 2:1		
		DO NOT SCALE DRAWING		SHEET 2	OF 4	
		DFTD Jack		SIZE A3	REV 0	

H  
G  
F  
E  
D  
C  
B  
A



8

7

6

5

4

3

2

1

A

MM (INCH)		RoHS Compliant			
TOLERANCES EXCEPT AS NOTED		TITLE W/LIGHT PIPES			
MM		SFP 2 by 8 CAGE+CONNECTOR_P			
.0 ± 0.25	±	DFTD Jack		DRAWING NO. CSFP0-3000-L	SIZE A3
.00 ± 0.20	±	DATE 1/05/2010		/PART NO. SFPO-3000-L	REV 0
.000 ± 0.10	±	SCALE : 2:1		DO NOT SCALE DRAWING	SHEET 3 OF 4
ANGLES ± 0.5					
 THIRD ANGLE PROJECTION					

H

G

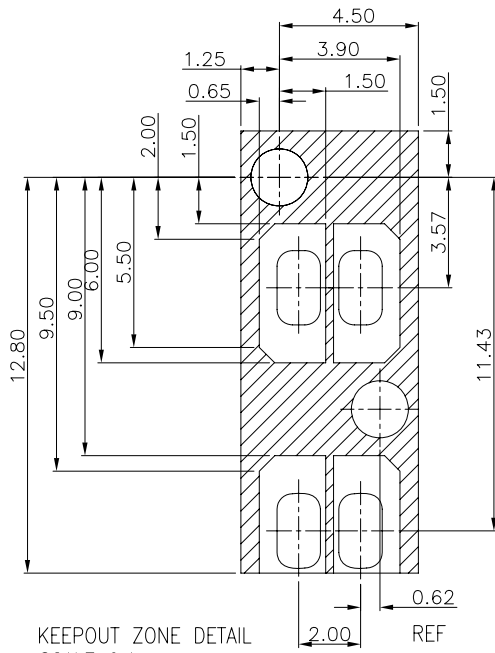
F

E

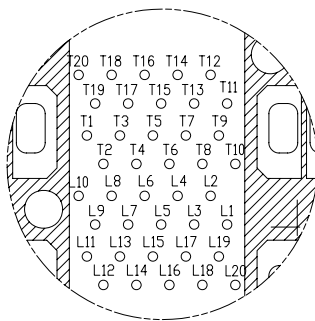
D

C

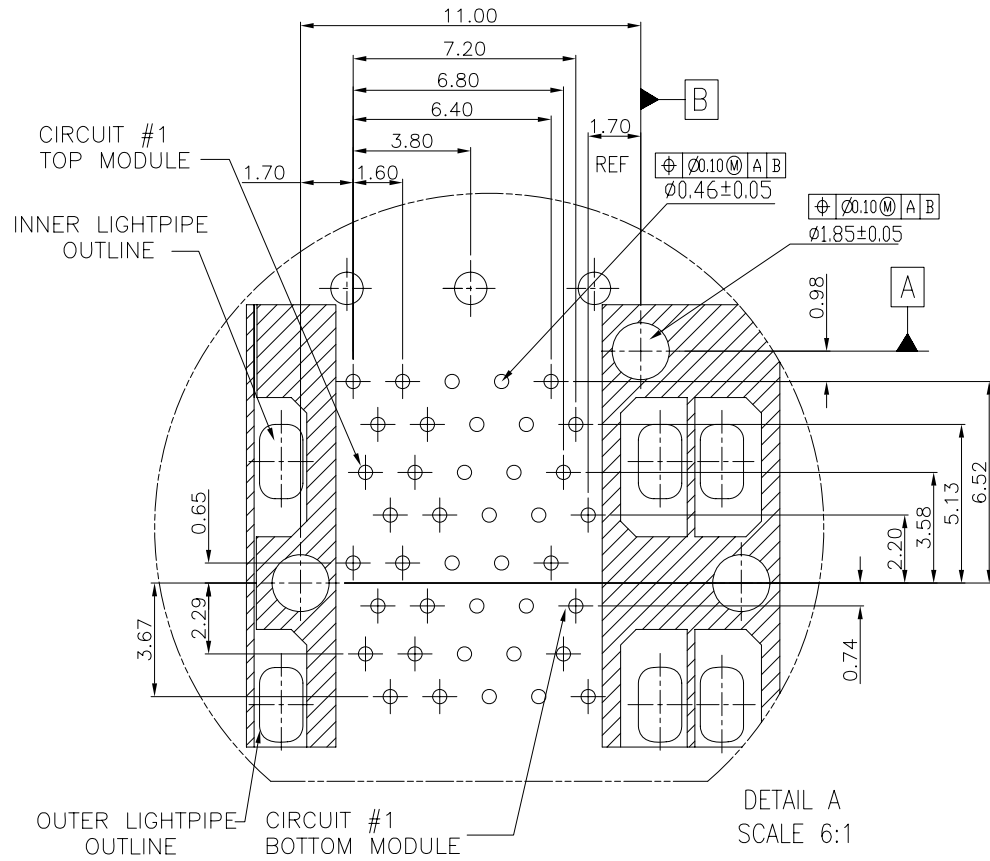
B



KEEP-OUT ZONE DETAIL  
SCALE 6:1



CONNECTOR PIN-OUT  
COMPONENT SIDE OF BOARD



DETAIL A  
SCALE 6:1

MM (INCH)		<b>RoHS Compliant</b>			
TOLERANCES EXCEPT AS NOTED					
DETACHED LISTS	MM				
	.0 ± 0.25		±		
	.00 ± 0.20		±		
	.000 ± 0.10		±		
	ANGLES ± 0.5				
 THIRD ANGLE PROJECTION		<b>RoHS Compliant</b>		<b>Pulse</b> A TECHNITROL COMPANY	
TITLE SFP 2 by 8 CAGE+CONNECTOR_P				W/LIGHT PIPES	
DFTD Jack DATE 1/05/2010		DRAWING NO. CSFP0-3000-L /PART NO. SFPO-3000-L		SIZE A3	REV 0
SCALE : 2:1				DO NOT SCALE DRAWING	
				SHEET 4	OF 4