



TAI-SAW TECHNOLOGY CO., LTD.

No. 3, Industrial 2nd Rd., Ping-Chen Industrial District,
Taoyuan, 324, Taiwan, R.O.C.

TEL: 886-3-4690038 FAX: 886-3-4697532

E-mail: tstsales@mail.taisaw.com Web: www.taisaw.com

Approval Sheet For Product Specification

Issued Date:

Product Name: Two-Port SAW Filter 480MHz, TO-39

TST Parts No.: TB480E2

Customer Parts No.: _____

Company: _____
Division: _____
Approved by : _____
Date: _____

Checked by: Andy Lee

Approval by: Francis Chen

Date: Sep. 28. 2006



TAI-SAW TECHNOLOGY CO., LTD.

No. 3, Industrial 2nd Rd., Ping-Chen Industrial District,
Taoyuan, 324, Taiwan, R.O.C.

TEL: 886-3-4690038 FAX: 886-3-4697532

E-mail: tstsales@mail.taisaw.com Web: www.taisaw.com

SAW Filter 480MHz for Satellite Receiver

MODEL NO.: TB480E2

REV. NO.:2

A. MAXIMUM RATING:

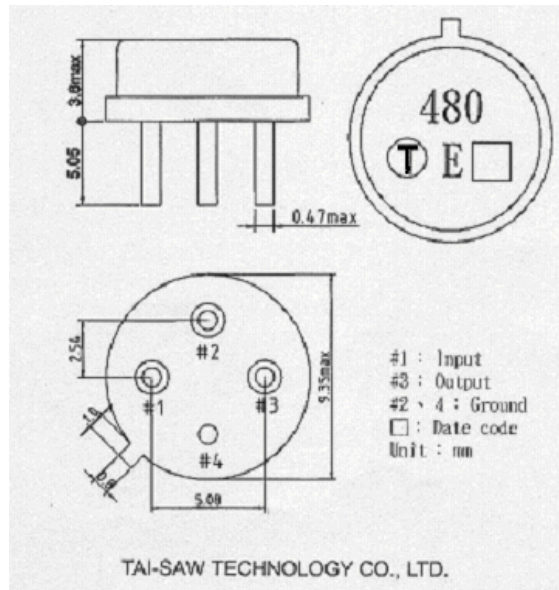
1. Input Power Level: 0 dBm
2. DC voltage: 3 V
3. Operating Temperature: -20°C to 70°C
4. Storage Temperature: -55°C to +85°C



B. ELECTRICAL CHARACTERISTICS:

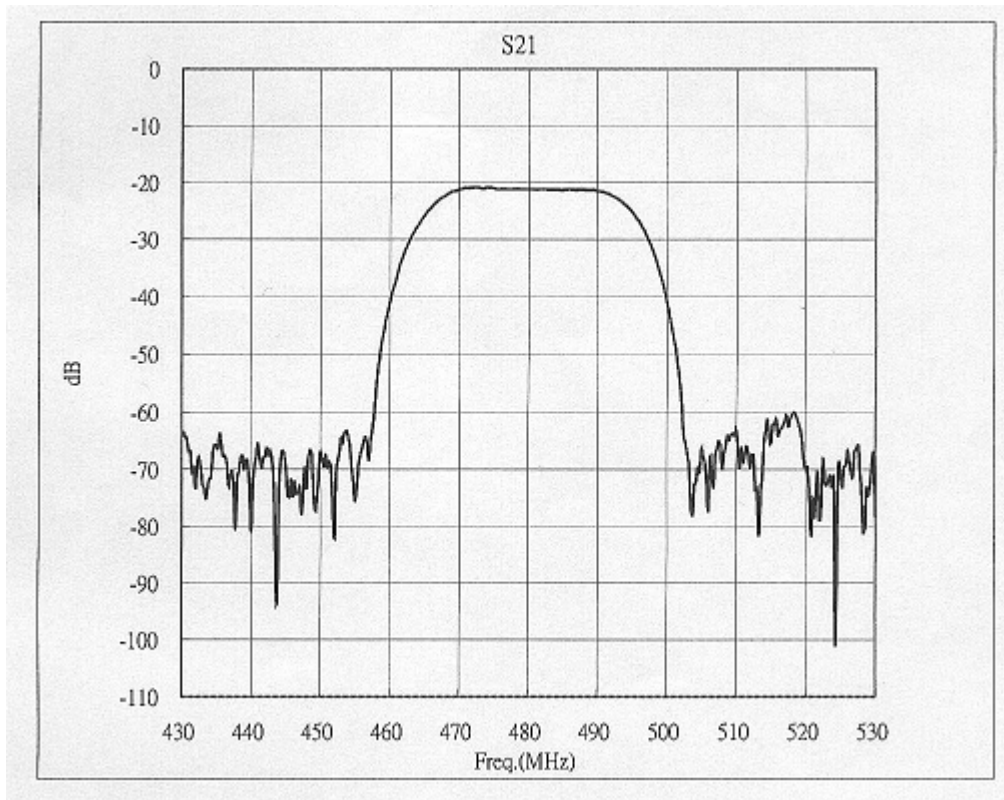
Item	Unit	Min.	Type.	Max.
Center frequency, F _c	MHz	-	480	-
Insertion Loss, IL at F _c	dB	-	21.3	23
Passband width BW3	MHz	26.9	27.9	28.9
Amplitude Ripple in F _c ±6.5MHz	dB	-	0.3	0.5
Group delay ripple in F _c ±13MHz	ns	-	8.5	15
Attenuation:(Refernce level from IL)				
F _c -13.5MHz	dB	-	2.5	5
F _c +13.5MHz	dB	-	2.4	5
F _c -50 to -28MHz	dB	35	42	-
F _c +27 to +50MHz	dB	33	39	-
Temperature coefficient of frequency	ppm/c	-	-86	-

C. OUTLINE DRAWING:

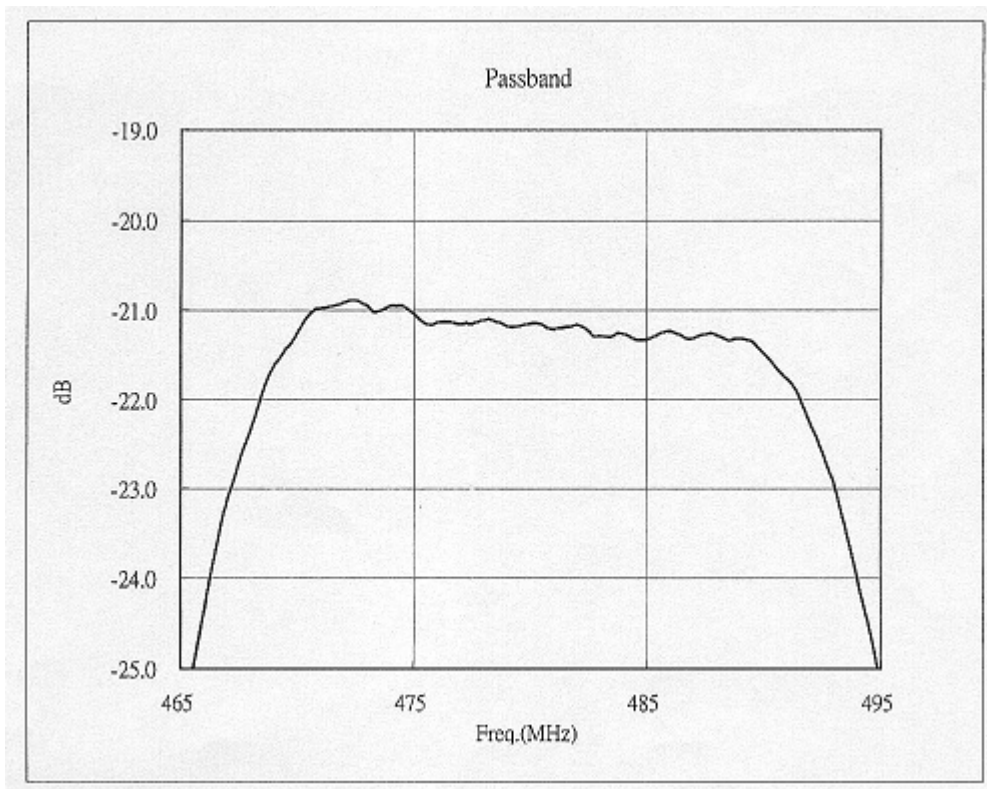


D. FREQUENCY CHARACTERISTICS:

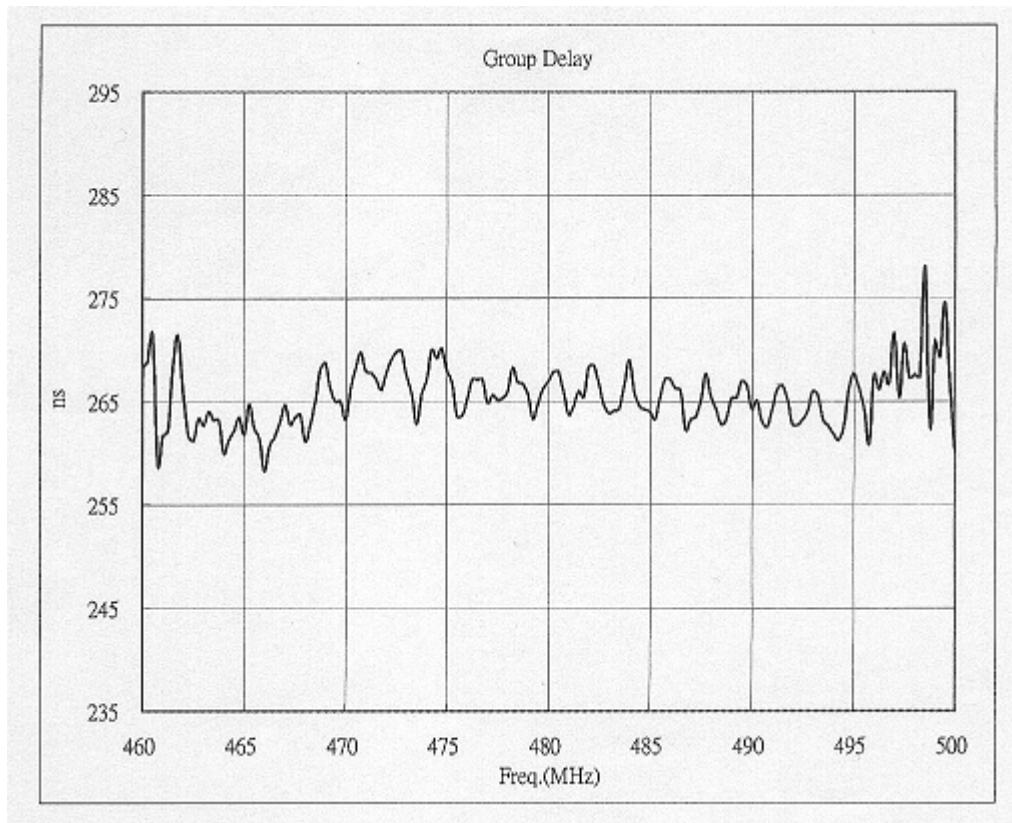
(1) Frequency Response:



(2) Amplitude ripple:



(3) Group delay:



E. MEASUREMENT CIRCUIT:

