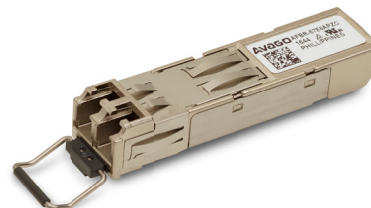


# AFBR-57E6APZC



## Multimode Small Form Factor Pluggable Transceivers with LC Connector and Conformal Coating, DMI for FDDI and Fast Ethernet

### Data Sheet



### Description

The AFBR-57E6APZC Small Form Factor Pluggable LC transceiver provides the system designer a product to implement FDDI/Fast Ethernet networks with DMI physical layers.

As an enhancement to the conventional SFP interface defined in SFF-8074i, the AFBR-57E6APZC is compatible to SFF-8472 (digital diagnostic interface for optical transceivers). Using the 2-wire serial interface defined in the SFF-8472 MSA, the AFBR-57E6APZC provides real time information on temperature, LED bias current, LED average output power and receiver average input power. The interface also adds the ability to monitor the Receiver Loss of Signal (RX\_LOS). The PCB has an overall conformal coating except in the contact pad area.

### Transmitter

The transmitter contains a 1310-nm InGaAsP LED. This LED is packaged in the optical subassembly of the transmitter. It is driven by an integrated circuit which converts differential PECL logic signals into an analog LED drive current. This current is monitored by the digital diagnostic interface. The transmitter light output power is inferred from this information.

The LED is switched off in case a static signal is present at the PECL inputs.

### Receiver

The receiver utilizes an InGaAs PIN photodiode coupled to a transimpedance pre- and postamplifier IC. It is packaged in the optical subassembly of the receiver. The data output is differential LVPECL. The LOS output is +3.3V TTL as per SFF-8074i. The PIN photodiode average current is monitored by the digital diagnostic interface as a measure for input optical power. Rx squelch is activated when a low input power is detected.

### Features

- RoHS compliant
- Lead free
- Industry standard Small Form Pluggable (SFP) package
- LC duplex connector optical interface
- Operates with 50/125- $\mu\text{m}$  and 62.5/125- $\mu\text{m}$  multimode fiber
- Compatible with 100Base-FX version of IEEE802.3u
- Single +3.3V power supply
- +3.3V TTL LOS output
- Squelched receiver outputs
- Manufactured in an ISO 9001 certified facility
- Operating temperature range:  $-40^{\circ}\text{C}$  to  $+85^{\circ}\text{C}$
- Bail de-latch
- Hot plug capability
- Usage in harsh environment enabled by conformal coated PCB
- Harsh environment tested according to EIA-364-65B Class IIIA and ASTM B 117

### Applications

- Factory automation at Fast Ethernet speeds
- Fast Ethernet networking over multimode fiber

## Loss of Signal

The Loss of Signal (LOS) output indicates that the optical input power to the receiver does not meet the minimum detectable level for FDDI compliance.

## Module Package

The transceiver package is compliant with the Small Form Pluggable (SFP) MSA with the LC duplex connector option. The hot-pluggable capability of the SFP package allows the module to be installed at any time including when the host system is on-line and operating. This permits the system to be configured or maintained without system downtime. The AFBR-57E6APZC requires a 3.3V DC power supply for optimal performance.

## Module Diagrams

Figure 1 illustrates the major functional components of the AFBR-57E6APZC. The connection diagram of the module is shown in Figure 2. Figure 5 to Figure 8 depict the external configuration and dimensions of the module.

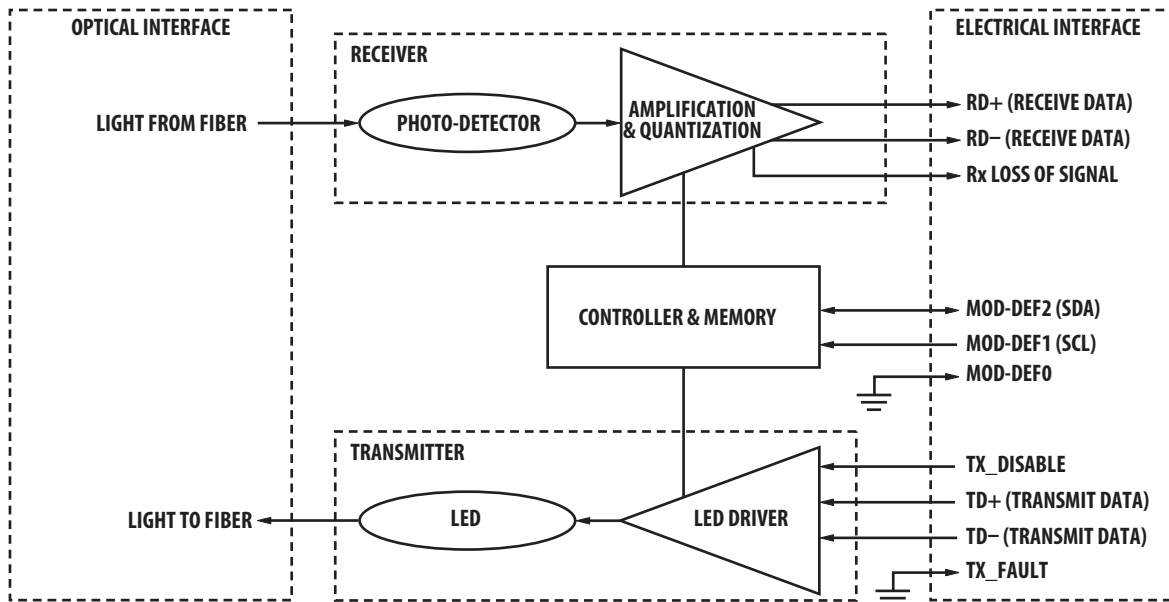
## Installation

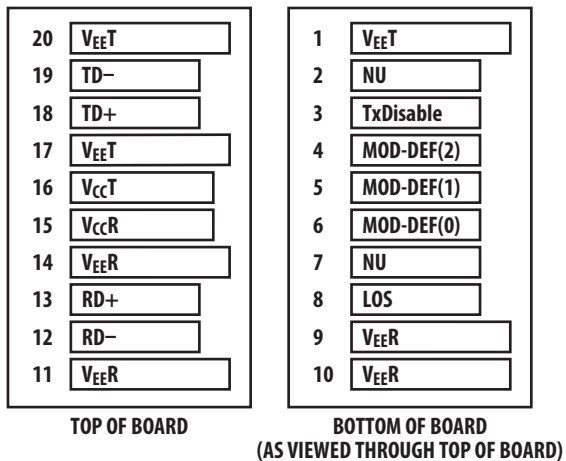
The AFBR-57E6APZC can be installed in or removed from any MultiSource Agreement (MSA) – compliant Small Form Pluggable port regardless of whether the host equipment is operating or not. The module is simply inserted, electrical interface first, under finger pressure. Controlled hot-plugging is ensured by 3-stage pin sequencing at the electrical interface. The module housing makes initial contact with the host board EMI shield mitigating potential damage due to Electro-Static Discharge (ESD). The 3-stage pin contact sequencing involves (1) Ground, (2) Power, and then (3) Signal pins making contact with the host board surface mount connector in that order.

This printed circuit board card edge connector is depicted in Figure 2 on the next page.

**NOTE** Note that the pad areas shown in Figure 2 and Figure 7 are not coated.

Figure 1 Transceiver Functional Diagram



**Figure 2 Connection Diagram of Module Printed Circuit Board**

## Digital Diagnostic Interface and Serial Identification

The 2-wire serial interface is based on ATMEL AT24C02C series EEPROM protocol. Conventional EEPROM memory (bytes 0–255 at memory address 0xA0) is organized in compliance with SFF-8074i. As an enhancement the AFBR-57E6APZC is also compatible to SFF-8472. This enhancement offers digital diagnostic information at bytes 0–255 at memory address 0xA2.

In addition to monitoring of the LED drive current and photodiode current, the interface also monitors the transmitter supply voltage and the temperature. The transmitter voltage supply must be provided for the digital diagnostic interface to operate.

## Data I/O

The AFBR-57E6APZC fiber-optic transceiver is designed to accept industry standard differential signals. The transceiver provides an AC-coupled, internally terminated data interface. Coupling capacitors have been included within the module to reduce the number of components on the customer's board. [Figure 3](#) depicts the recommended interface circuitry.

## Regulatory Compliance

See [Table 1](#) for transceiver Regulatory Compliance performance. The overall equipment design will determine the certification level. The transceiver performance is offered as a figure of merit to assist the designer.

## Electrostatic Discharge (ESD)

There are two conditions where immunity to ESD damage is important. [Table 1](#) documents the transceiver's immunity to both these conditions.

The first condition is static discharge to the transceiver when handling it. For example when the transceiver is inserted into the transceiver port. To protect the transceiver, it is important to use normal ESD handling procedures. These precautions include grounded wrist straps, workbenches, and floor mats in ESD controlled areas. The ESD sensitivity of the AFBR-57E6APZC is compatible with typical industry production environments.

The second condition is static discharge to the exterior of the host equipment chassis after installation. To the extent that the duplex LC optical interface is exposed to the outside of the host equipment chassis, it may be subject to system-level ESD events. The ESD performance of AFBR-57E6APZC exceeds typical industry standards.

## Immunity

Equipment hosting the AFBR-57E6APZC will be subjected to radio-frequency electromagnetic fields in some environments. These transceivers have good immunity to such fields due to their shielded design.

## Electromagnetic Interference (EMI)

Most equipment designs utilizing these high-speed transceivers from Broadcom will be required to meet the requirements of CENELEC EN55022.

The metal housing design and shielded design of the AFBR-57E6APZC transceiver minimize the EMI challenge facing the host equipment designer. The transceivers provide superior EMI performance.

## Eye Safety

These transceivers provide Class 1 eye safety by design. Broadcom has tested the transceiver design for compliance with the requirements listed in [Table 1](#) under normal operating conditions and under a single fault condition.

## Flammability

The AFBR-57E6APZC transceiver housing is made of metal and high strength, heat resistant, chemically resistant and UL-94V-0 flame retardant plastic.

## Shipping Container

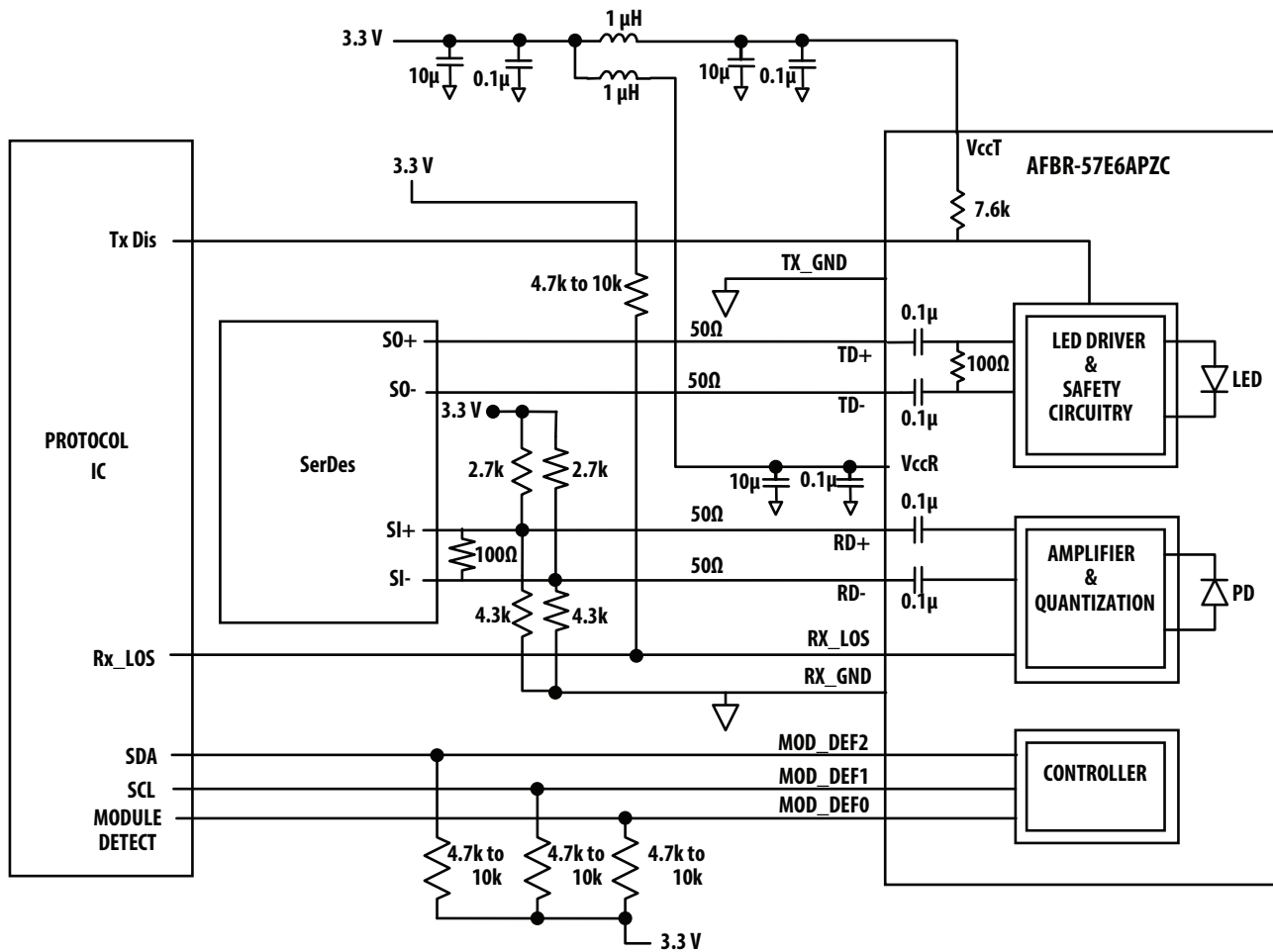
Ten transceivers are packaged in one shipping container designed to protect it from mechanical and ESD damage during shipment or storage.

## Regulatory Compliance

**Table 1 Regulatory Compliance**

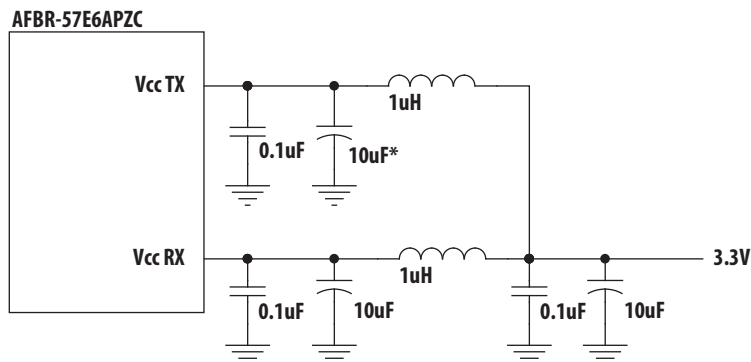
Feature	Test Method	Performance
Electrostatic Discharge (ESD) to the electrical pins	JEDEC JESD22-A114	Meets Class 2 (2000 to 3999 Volts). Withstand up to 2000V applied between electrical pins.
Electrostatic Discharge (ESD) to the Duplex LC Receptacle	Variation of IEC 61000-4-2	Typically withstand at least 9 kV without damage when the LC connector receptacle is contacted by a Human Body Model probe. Typically withstand 15-kV air discharge on LC-connector receptacle.
Electromagnetic Interference (EMI)	FCC Class B, CENELEC EN55022 (CISPR 22) Class B	System margins are dependent on customer board and chassis design.
Immunity	IEC 61000-4-3	Typically shows no measurable effect from a 10 V/m field swept from 80 to 1 GHz applied to the transceiver without a chassis enclosure.
Component Recognition	Underwriters Laboratories and Canadian Standards Association Joint Component Recognition for Information Technology Equipment including Electrical Business Equipment	E173874, Vol. 1.
Eye Safety	EN 60950-1:2006+A11+A1+A12+A2 EN 60825-1:2007 EN 60825-2:2004+A1+A2	Compliant per Broadcom testing under single fault conditions.
RoHS Compliance		Reference to RoHS Directive 2011/65EU Annex II.

Figure 3 Recommended Connection Circuitry



**NOTE** Refer to SerDes supplier’s recommendation regarding the interface between the AFBR-57E6APZC and the SerDes. The proposed termination is a general recommendation for LVPECL AC-coupled signals. Other terminations could also be applicable depending on the SerDes interface.

Figure 4 MSA Required Power Supply Filter



Note: Inductors should have less than 1 Ohm series resistor per MSA  
 \* optional capacitance but recommended (required for SFP+)

## Pin Description

**Table 2 Pin Description**

Pin	Name	Function/Description	MSA Notes
1	VEET	Transmitter Ground	a
2	NU	Not Used	b
3	Tx Disable	Transmitter Disable – Module disables on high or open	
4	MOD-DEF2	Module Definition 2 – Two wire serial ID interface	c
5	MOD-DEF1	Module Definition 1 – Two wire serial ID interface	c
6	MOD-DEF0	Module Definition 0 – grounded in module	c
7	NU	Not Used	
8	LOS	Loss of Signal – high indicates loss of signal	d
9	VEER	Receiver Ground	a
10	VEER	Receiver Ground	a
11	VEER	Receiver Ground	a
12	RD–	Inverse Received Data Out	e
13	RD+	Received Data Out	e
14	VEER	Receiver Ground	a
15	VCCR	Receiver Power 3.3V	
16	VCCT	Transmitter Power 3.3V	
17	VEET	Transmitter Ground	a
18	TD+	Transmitter Data In	f
19	TD–	Inverse Transmitter Data In	f
20	VEET	Transmitter Ground	a

- a. Transmitter and Receiver grounds are connected in the transceiver PCB.
- b. Pulled to <0.8V during transceiver operation.
- c. Mod-Def 0, 1, 2 are the module definition pins. They should be pulled up with a 4.7-kW to 10-kW resistor on the host board to a supply less than VCCT + 0.3V or VCCR + 0.3V. In order to use this interface, supply 3.3V to VCCT.  
Mod-Def 0 is grounded by the module to indicate that the module is present.  
Mod-Def 1 is the clock line of the two-wire serial interface.  
Mod-Def 2 is the data line of the two-wire serial interface.
- d. LOS (Loss Of Signal) is an open collector/drain output that should be pulled up externally with a 4.7-kW to 10-kW resistor on the host board to a supply less than VCCT,R +0.3V. When high, this output indicates that the received optical power is below the worst case receiver sensitivity (as defined by the standard in use). In the low state, the output will be pulled to a voltage less than 0.8V. LOS only valid if VCCT and VCCR are powered.
- e. RD±: These are the differential receiver outputs. They are AC-coupled to 100W differential lines which should be terminated with 100W differential at the SERDES. AC-coupling is present inside the module and is not required on the host board.
- f. TD±: These are the differential transmitter inputs. They are AC-coupled differential lines with 100W differential termination inside the module. AC-coupling is present inside the module and is not required on the host board.

# Package Dimensions

Figure 5 Module Drawing

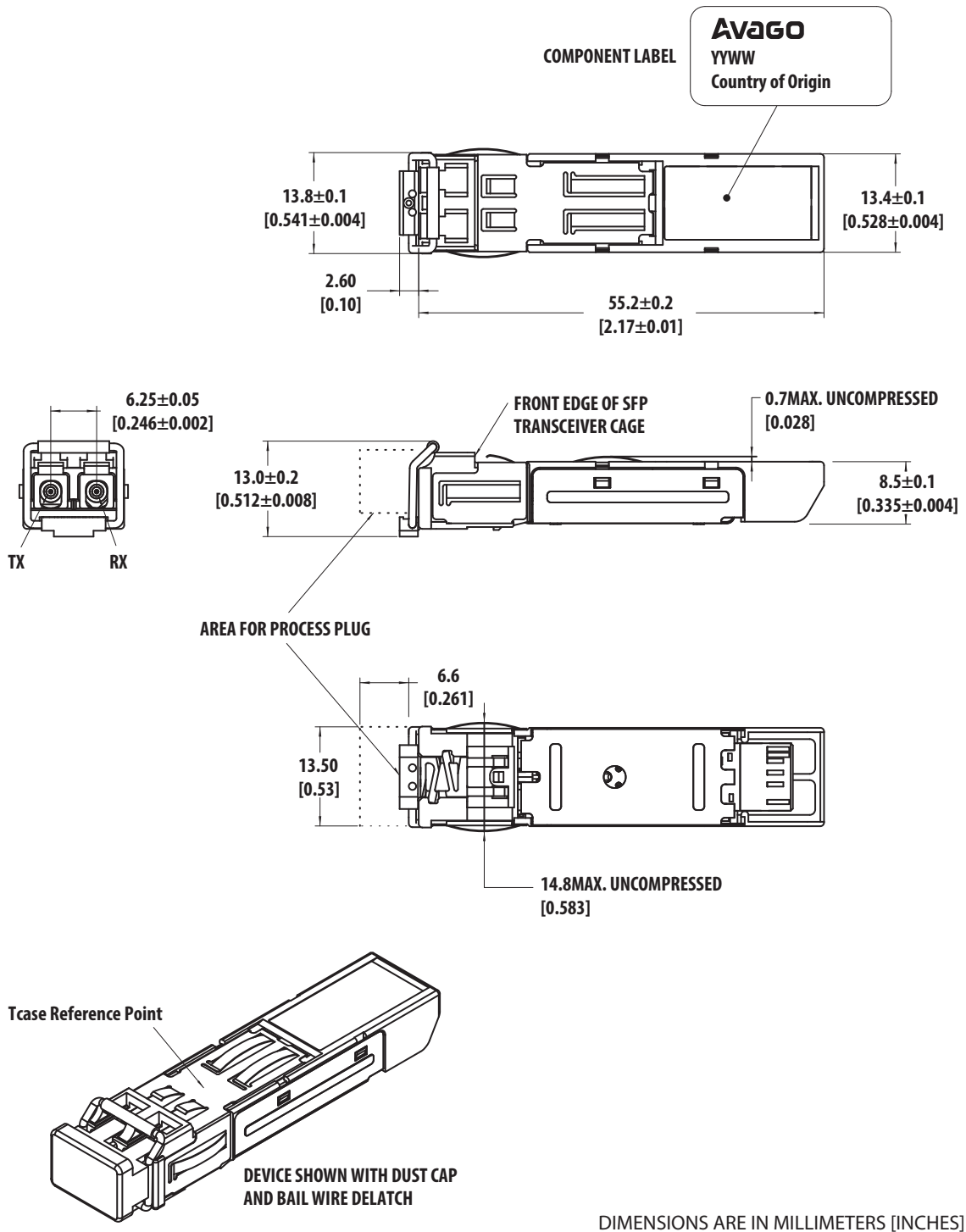
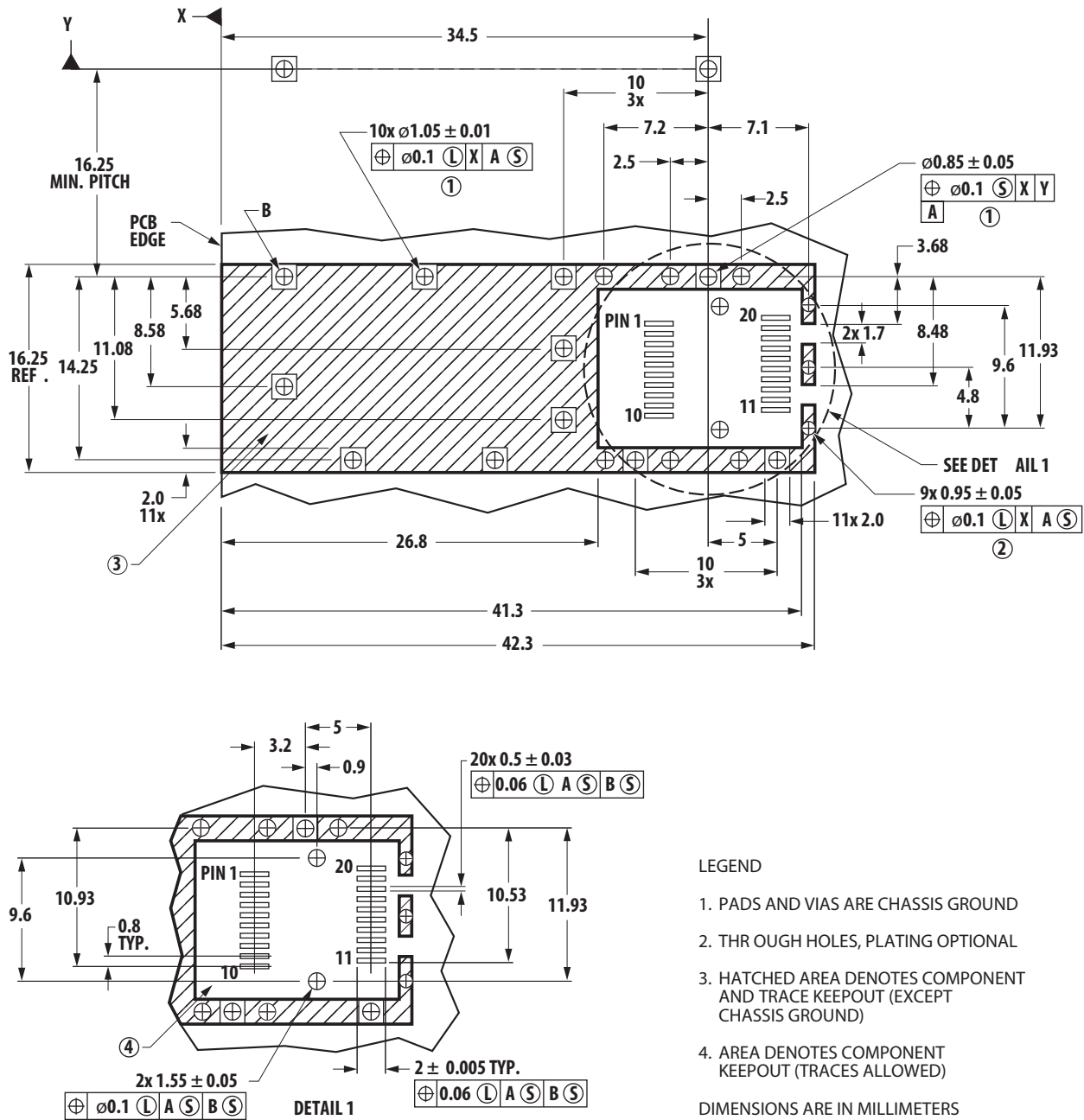


Figure 6 SFP Host Board Mechanical Layout



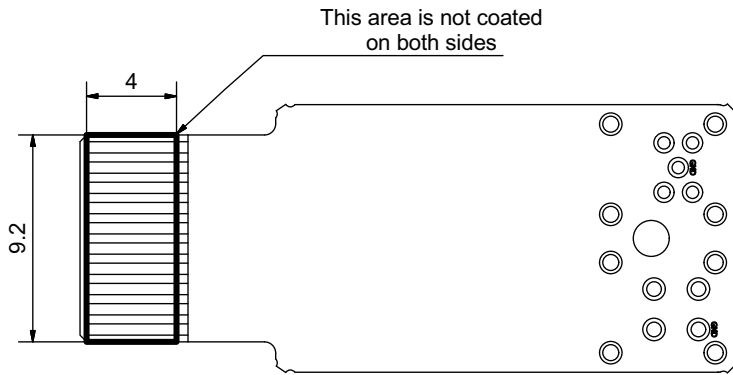
LEGEND

1. PADS AND VIAS ARE CHASSIS GROUND
2. THROUGH HOLES, PLATING OPTIONAL
3. HATCHED AREA DENOTES COMPONENT AND TRACE KEEPOUT (EXCEPT CHASSIS GROUND)
4. AREA DENOTES COMPONENT KEEPOUT (TRACES ALLOWED)

DIMENSIONS ARE IN MILLIMETERS

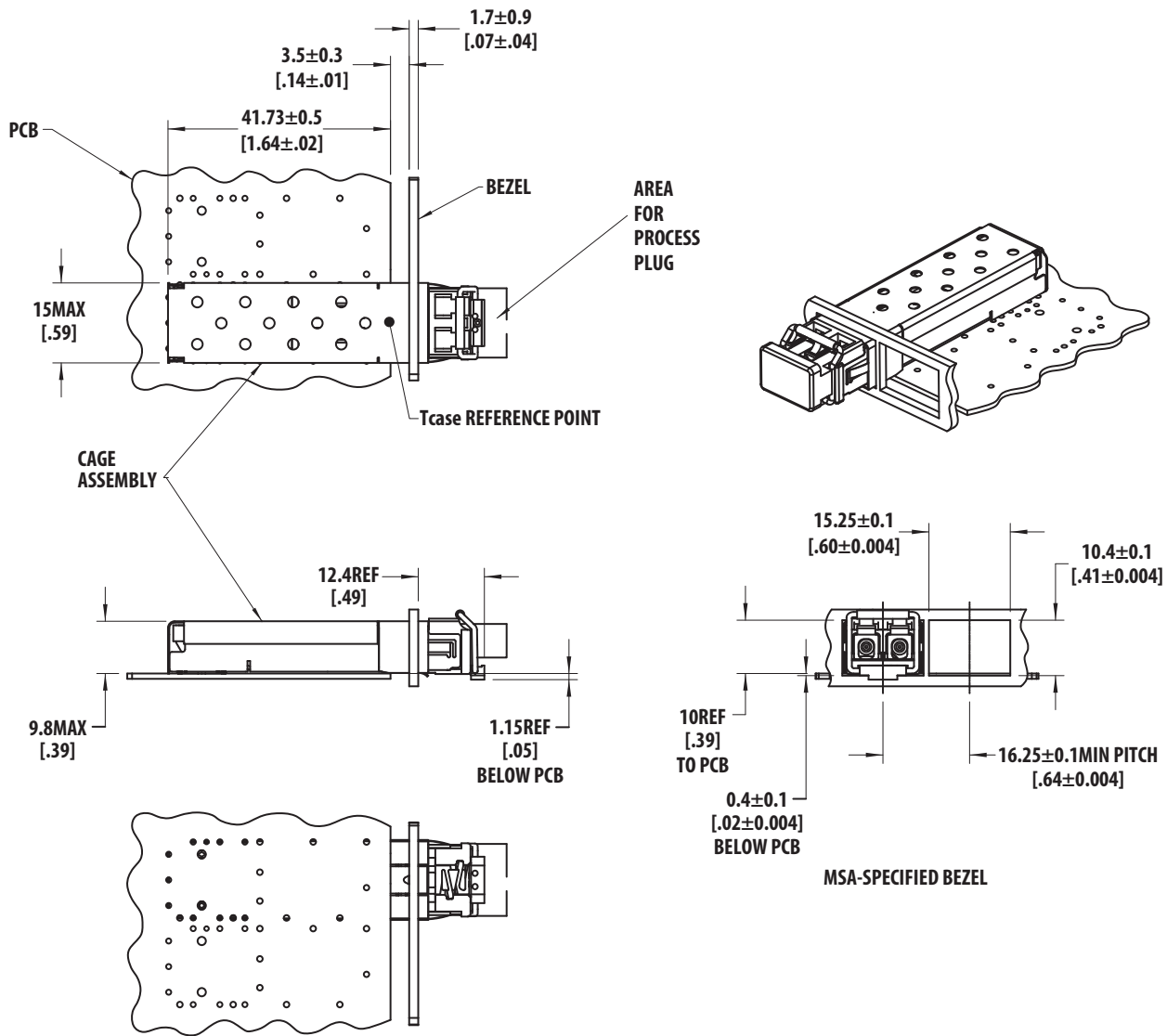


**Figure 7 PCB Contact Pad Area**



**NOTE** Note that the pad area shown in [Figure 7](#) is not coated. This needs to be considered in the application.

Figure 8 SFP Assembly Drawing



DIMENSIONS ARE IN MILLIMETERS [INCHES].

## Absolute Maximum Ratings

Stresses in excess of the absolute maximum ratings can cause catastrophic damage to the device. Limits apply to each parameter in isolation, all other parameters having values within the recommended operation conditions. It should not be assumed that limiting values of more than one parameter can be applied to the products at the same time. Exposure to the absolute maximum ratings for extended periods can adversely affect device reliability.

**Table 3 Absolute Maximum Ratings**

Parameter	Symbol	Min	Max	Unit	Notes
Storage Temperature	$T_S$	-40	+100	°C	
Supply Voltage	$V_{CC}$	-0.5	3.63	V	
Data Input Voltage	$V_I$	-0.5	$V_{CC}$	V	
Receiver Optical Input Power	$P_{in}$	—	0	dBm	

## Recommended Operating Conditions

All the data in this specification refers to the operating conditions above and over lifetime unless otherwise stated.

**Table 4 Recommended Operating Conditions**

Parameter	Symbol	Min	Typ	Max	Unit	Notes
Case Operating Temperature	$T_C$	-40	—	+85	°C	a, b
Supply Voltage	$V_{CC}$	3.0	3.3	3.6	V	
Data Output Load	$R_L$	—	100	—	$\Omega$	Differential
Signalling rate (Fast Ethernet)	B	—	125	—	MBd	c

- The case temperature is measured at the surface of the topside (see [Figure 5, Module Drawing](#)) using a thermocouple connected to the housing.
- Electrical and optical specifications of the product are guaranteed across recommended case operating temperature only.
- 4B/5B. Ethernet auto-negotiation pulses are not supported.

## Transmitter Electrical Characteristics

**Table 5 Transmitter Electrical Characteristics**

Parameter	Symbol	Min	Typ	Max	Unit	Notes
Supply Current	$I_{CC}$	—	45	70	mA	a
Power Dissipation	$P_{DISS}$	—	150	260	mW	
Differential input voltage	$V_{DIFF}$	0.5	1.0	1.8	V	b
Input Differential Impedance	$R_{in}$	—	100	—	$\Omega$	c
Transmitter Disable (TX Disable) High	$V_{IH}$	2.0	—	$V_{CC}$	V	
Transmitter Disable (TX Disable) Low	$V_{IL}$	0	—	0.8	V	

- Typical values are for room temperature at 3.3V.
- Peak to Peak.
- Tx data inputs are AC coupled.

## Receiver Electrical Characteristics

**Table 6 Receiver Electrical Characteristics**

Parameter	Symbol	Min	Typ	Max	Unit	Notes
Supply Current	$I_{CC}$	—	31	40	mA	a
Power Dissipation	$P_{DISS}$	—	105	145	mW	
Data Output: Receiver Differential		—	—	—		
Output Voltage (RD±)	$ V_{OH} - V_{OL} $	1.0	—	1.8	V	b, c
Data Output Rise Time (10% to 90%)	$t_r$	—	—	2.2	ns	
Data Output Fall Time (10% to 90%)	$t_f$	—	—	2.2	ns	
Loss of Signal Output Voltage – Low	$LOS_{V_{OL}}$	—	—	0.8	V	
Loss of Signal Output Voltage – High	$LOS_{V_{OH}}$	2.0	—	—	V	

- Typical values are for room temperature at 3.3V.
- Differential output voltage is internally AC-coupled. The low and high voltages are measured using 100Ω differential termination.
- RD+ and RD– outputs are squelched at LOS assert levels.

## Transmitter Optical Characteristics

**Table 7 Transmitter Optical Characteristics**

Parameter	Symbol	Min	Typ	Max	Unit	Notes
Output Optical Power 62.5/125 μm NA = 0.275 Fiber	$P_o$	-20.0	-17.0	-14.0	dBm	a, b
Output Optical Power 50/125 μm NA = 0.20 Fiber	$P_o$	-24.0	-21.0	-17.0	dBm	a, b
Extinction Ratio	ER	10	—	—	dB	
Central Wavelength	$\lambda_C$	1270	1308	1380	nm	
Spectral width – FWHM	$\Delta\lambda$	—	147	—	nm	
Optical Rise Time (10% to 90%)	$t_r$	0.6	1.0	3.0	ns	c
Optical Fall Time (10% to 90%)	$t_f$	0.6	1.0	3.0	ns	c
Duty Cycle Distortion Contributed by the Transmitter	DCD	—	—	0.6	ns	d, e
Data Dependent Jitter Contributed by the Transmitter	DDJ	—	—	0.6	ns	d
Random Jitter Contributed by the Transmitter	RJ	—	—	0.69	ns	d, f
Transmitter Disable (High)	$P_{O(off)}$	—	—	-45	dBm	

- Optical values are measured over the specified operating voltage and temperature ranges. The average power can be converted to a peak value by adding 3 dB.
- Average
- Measured with a 400-MHz optical to electrical converter.
- Characterized with 125 MBd, PRBS<sup>27</sup>-1 pattern.
- Duty Cycle Distortion contributed by the transmitter is measured at 50% threshold of the optical signal.
- Peak to peak.

## Receiver Optical and Electrical Characteristics

**Table 8 Receiver Optical and Electrical Characteristics**

Parameter	Symbol	Min	Typ	Max	Unit	Notes
Optical Input Power	$P_{IN}$	-31.0	—	-12.0	dBm	a, b
Operating Wavelength	$\lambda_R$	1270	—	1380	nm	
Duty Cycle Distortion Contributed by the Receiver	DCD	—	—	0.4	ns	c, d
Data Dependent Jitter Contributed by the Receiver	DDJ	—	—	1.0	ns	d
Random Jitter Contributed by the Receiver	RJ	—	—	2.14	ns	d, e
Loss of Signal – Deasserted	$P_D$	—	—	-32.0	dBm	b
Loss of Signal – Asserted	$P_A$	-45	—	—	dBm	b
Loss of Signal – Hysteresis	$P_A - P_D$	0.5	1.6	—	dB	

- a. This specification is intended to indicate the performance of the receiver section of the transceiver when Optical Input Power signal characteristics are present per the following definitions:
- Over the specified operating temperature and voltage ranges.
  - Bit Error Rate (BER) is better than or equal to  $1 \times 10^{-10}$ .
  - Transmitter is operating to simulate any crosstalk present between the transmitter and receiver sections of the transceiver.
  - Fiber: 62.5/125  $\mu$ m, NA = 0.275; or 50/125  $\mu$ m, NA = 0.20.
- b. Average.
- c. Duty Cycle Distortion contributed by the receiver is measured at 50% threshold of the electrical signal.
- d. Characterized with 125 MBd, PRBS<sup>27</sup>-1 pattern.
- e. Peak to peak.

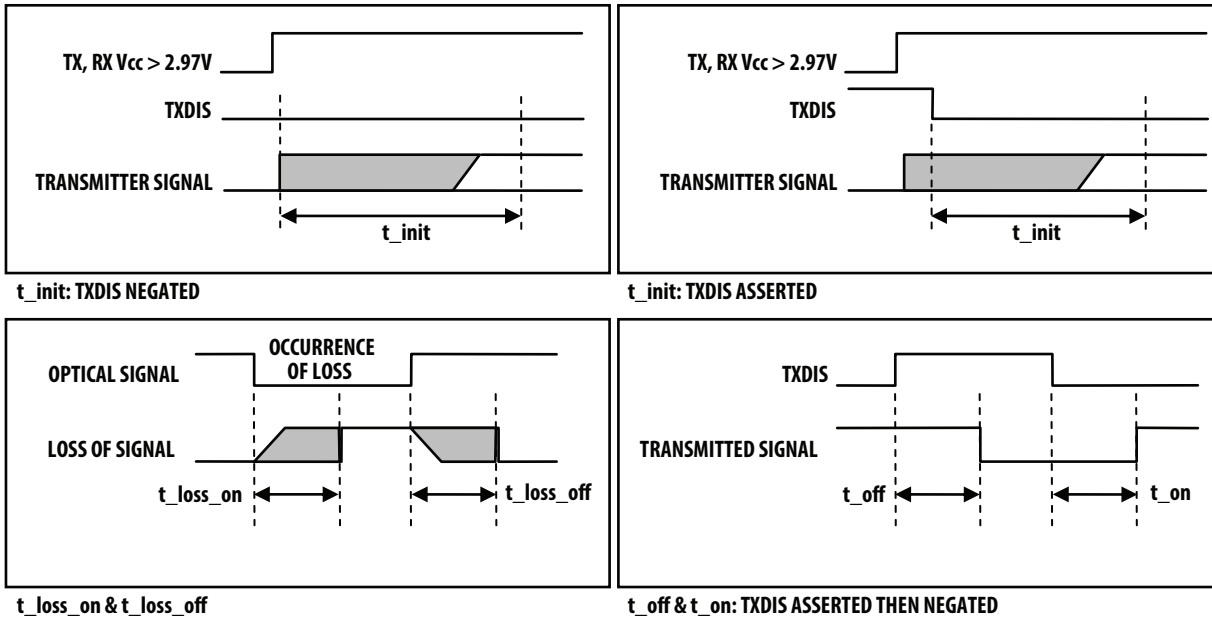
## Transceiver Diagnostics Timing Characteristics

**Table 9 Transceiver Diagnostics Timing Characteristics**

Parameter	Symbol	Min	Max	Unit	Figure	Notes
Hardware TXDIS Assert Time	t_off	—	10	μs	Figure 9	a
Hardware TXDIS Deassert Time	t_on	—	30	μs	Figure 9	b
Time to Initialize	t_init	—	300	ms	Figure 9	c
Hardware LOS Assert Time	t_loss_on	—	100	μs		d
Hardware LOS Deassert Time	t_loss_off	—	350	μs		e
Software TX_DISABLE Assert Time	t_off_soft	—	100	ms		f
Software TX_DISABLE Deassert Time	t_on_soft	—	100	ms		g
Software RX_LOS Assert Time	t_loss_on_soft	—	100	ms		h
Software RX_LOS Deassert Time	t_loss_off_soft	—	100	ms		i
Analog parameter Data Ready	t_data	—	1000	ms		j
Serial Hardware Ready	t_serial	—	300	ms		k
Write Cycle Time	t_write	—	10	ms		l
Serial ID Clock Rate	f_serial_clock	—	400	kHz		

- a. Time from rising edge of TXDIS to when the optical output falls below 10% of nominal.
- b. Time from falling edge of TXDIS to when the modulated optical output rises above 90% of nominal.
- c. Time from Power on or falling edge of TXDIS to when the modulated optical output rises above 90% of nominal.
- d. Time from loss of optical signal to LOS assertion.
- e. Time from valid optical signal to LOS deassertion.
- f. Time from two-wire interface assertion of TX\_DISABLE (A2h, byte 110, bit 6) to when the optical output falls below 10% of nominal. Measured from falling clock edge after stop bit of write transaction.
- g. Time from two-wire interface deassertion of TX\_DISABLE (A2h, byte 110, bit 6) to when the modulated optical output rises above 90% of nominal.
- h. Time for two-wire interface assertion of Rx\_LOS (A2h, byte 110, bit 1) from loss of optical signal.
- i. Time for two-wire interface deassertion of Rx\_LOS (A2h, byte 110, bit 1) from presence of valid optical signal.
- j. From power on to data ready bit asserted (A2h, byte 110, bit 0). Data ready indicates analog monitoring circuitry is functional.
- k. Time from power on until module is ready for data transmission over the serial bus (reads or writes over A0h and A2h).
- l. Time from stop bit to completion of a 1-8 byte write command.

Figure 9 Timing Diagram



## Transceiver Digital Diagnostic Monitor (Read Time Sense) Characteristics

Table 10 Transceiver Digital Diagnostic Monitor (Read Time Sense) Characteristics

Parameter	Symbol	Max	Unit	Notes
Transceiver Internal Temperature Accuracy	$T_{INT}$	$\pm 3.0$	$^{\circ}\text{C}$	Registers indicate case temperature which is derived from the internally measured temperature. Valid from $-40^{\circ}\text{C}$ to $+85^{\circ}\text{C}$ case temperature with Tx Enabled.
Transceiver Internal Supply Voltage Accuracy	$V_{INT}$	$\pm 0.1$	V	Supply voltage is measured internal to the transceiver and can, with less accuracy, be correlated to voltage at the SFP VCC pin. Valid over $3.3\text{V} \pm 10\%$ .
Transmitter LED DC Bias Current Accuracy	$I_{BIAS}$	$\pm 10$	%	$I_{BIAS}$ is better than $\pm 10\%$ nominal value.
Transmitter Average Optical Power Accuracy	$P_T$	$\pm 3.0$	dB	Transmitter power is inferred from the LED bias current.
Received Average Optical Input Power Accuracy	$P_R$	$\pm 3.0$	dB	Coupled from a 62.5/125- $\mu\text{m}$ fiber.

## EEPROM Serial ID Memory Contents – Address A0h

Table 11 EEPROM Serial ID Memory Contents – Address A0h

Byte # Decimal	Hex	ASCII	Description	Byte # Decimal	Hex	ASCII	Description
0	03		SFP transceiver	38	17		
1	04			39	6A		
2	07		LC connector	40	41	A	
3	00			41	46	F	
4	00			42	42	B	
5	00			43	52	R	
6	20		100Base-FX compliance	44	2D	–	
7	00			45	35	5	
8	00			46	37	7	
9	00			47	45	E	
10	00			48	36	6	
11	02		4B/5B Encoding	49	41	A	
12	01		100 Mbits/s	50	50	P	
13	00			51	5A	Z	
14	00			52	43	C	
15	00			53	20		
16	C8			54	20		
17	C8			55	20		
18	00			56	20		
19	00			57	20		
20	41	A		58	20		
21	56	V		59	20		
22	41	A		60	05		Note <sup>a</sup>
23	47	G		61	1E		Note <sup>a</sup>
24	4F	O		62	00		
25	20			63			Note <sup>b</sup>
26	20			64	00		
27	20			65	12		TX Disable and LOS implemented.
28	20			66	00		
29	20			67	00		
30	20			68 to 83			Note <sup>c</sup>
31	20			84 to 91			Note <sup>d</sup>
32	20			92	68		Digital diagnostics implemented. Internally calibrated. Average RX power.



**Table 11 EEPROM Serial ID Memory Contents – Address A0h (Continued)**

Byte # Decimal	Hex	ASCII	Description	Byte # Decimal	Hex	ASCII	Description
33	20			93	D0		Alarm warnings, SoftTX_Disable and Soft RX_LOS implemented.
34	20			94	06		Includes functionality described in Rev 11.3 of SFF-8472.
35	20			95			Note <sup>b</sup>
36	00			96–27	00		Note <sup>e</sup>
37	00						

- a. LED wavelength is represented in 16 unsigned bits. The hex representation of 1310 (nm) is 0x051E.
- b. Address 63 is the checksum for bytes 0–62 and address 95 is the checksum for bytes 64–94. They are calculated (per SFF-8472) and stored prior to product shipment.
- c. Addresses 68–83 specify a unique module serial number.
- d. Addresses 84–91 specify the date code.
- e. Addresses 96–127 are vendor specific.

## EEPROM Serial ID Memory Contents – Enhanced Features (Address A2h)

Table 12 EEPROM Serial ID Memory Contents – Enhanced Features (Address A2h)

Byte # Decimal	Notes	Byte # Decimal	Notes	Byte # Decimal	Notes
0	Temp H Alarm MSB <sup>a</sup>	26	Tx Power L Alarm MSB <sup>g</sup>	104	Real Time Rx Power MSB <sup>b</sup>
1	Temp H Alarm LSB <sup>a</sup>	27	Tx Power L Alarm LSB <sup>g</sup>	105	Real Time Rx Power LSB <sup>b</sup>
2	Temp L Alarm MSB <sup>a</sup>	28	Tx Power H Warning MSB <sup>g</sup>	106	Reserved
3	Temp L Alarm LSB <sup>a</sup>	29	Tx Power H Warning LSB <sup>g</sup>	107	Reserved
4	Temp H Warning MSB <sup>a</sup>	30	Tx Power L Warning MSB <sup>g</sup>	108	Reserved
5	Temp H Warning LSB <sup>a</sup>	31	Tx Power L Warning LSB <sup>g</sup>	109	Reserved
6	Temp L Warning MSB <sup>a</sup>	32	Rx Power H Alarm MSB <sup>b</sup>	110	Status/Control – See <a href="#">Table 13</a>
7	Temp L Warning LSB <sup>a</sup>	33	Rx Power H Alarm LSB <sup>b</sup>	111	Reserved
8	Vcc H Alarm MSB <sup>c</sup>	34	Rx Power L Alarm MSB <sup>b</sup>	112	Flag Bits – See <a href="#">Table 14</a>
9	Vcc H Alarm LSB <sup>c</sup>	35	Rx Power L Alarm LSB <sup>b</sup>	113	Flag Bits – See <a href="#">Table 14</a>
10	Vcc L Alarm MSB <sup>c</sup>	36	Rx Power H Warning MSB <sup>b</sup>	114	Reserved
11	Vcc L Alarm LSB <sup>c</sup>	37	Rx Power H Warning LSB <sup>b</sup>	115	Reserved
12	Vcc H Warning MSB <sup>c</sup>	38	Rx Power L Warning MSB <sup>b</sup>	116	Flag Bits – See <a href="#">Table 14</a>
13	Vcc H Warning LSB <sup>c</sup>	39	Rx Power L Warning LSB <sup>b</sup>	117	Flag Bits – See <a href="#">Table 14</a>
14	Vcc L Warning MSB <sup>c</sup>	40–55	Reserved	118–127	Reserved
15	Vcc L Warning LSB <sup>c</sup>	56–94	External Calibration Constants <sup>d</sup>	128–247	Customer Writable
16	Tx Bias H Alarm MSB <sup>e</sup>	95	Checksum for Bytes 0–94 <sup>f</sup>	248–255	Vendor Specific
17	Tx Bias H Alarm LSB <sup>e</sup>	96	Real Time Temperature MSB <sup>a</sup>		
18	Tx Bias L Alarm MSB <sup>e</sup>	97	Real Time Temperature LSB <sup>a</sup>		
19	Tx Bias L Alarm LSB <sup>e</sup>	98	Real Time Vcc MSB <sup>c</sup>		
20	Tx Bias H Warning MSB <sup>e</sup>	99	Real Time Vcc LSB <sup>c</sup>		
21	Tx Bias H Warning LSB <sup>e</sup>	100	Real Time Tx Bias MSB <sup>e</sup>		
22	Tx Bias L Warning MSB <sup>e</sup>	101	Real Time Tx Bias LSB <sup>e</sup>		
23	Tx Bias L Warning LSB <sup>e</sup>	102	Real Time Tx Power MSB <sup>g</sup>		
24	Tx Power H Alarm MSB <sup>g</sup>	103	Real Time Tx Power LSB <sup>g</sup>		
25	Tx Power H Alarm LSB <sup>g</sup>				

- Temperature (Temp) is decoded as a 16-bit signed two's complement integer in increments of 1/256°C.
- Received average optical power (Rx Pwr) is decoded as a 16-bit unsigned integer in increments of 0.1 μW.
- Supply Voltage (Vcc) is decoded as a 16-bit unsigned integer in increments of 100 μV.
- Bytes 56–94 are not intended for use with AFBR-57E6APZC, but have been set to default values per SFF-8472.
- Tx bias current (Tx Bias) is decoded as a 16-bit unsigned integer in increments of 2 μA.
- Byte 95 is a checksum calculated (per SFF-8472) and stored prior to product shipment.
- Transmitted average optical power (Tx Pwr) is decoded as a 16 bit unsigned integer in increments of 0.1 μW.

## EEPROM Serial ID Memory Contents – Soft Commands (Address A2h, Byte 110)

**Table 13 EEPROM Serial ID Memory Contents – Soft Commands (Address A2h, Byte 110)**

Bit #	Status/Control Name	Description	Notes
7	TX_DISABLE State	Digital state of Soft TX_DISABLE	
6	Soft TX_DISABLE	Read/write bit for changing digital state of TX_DISABLE function.	
5	Reserved		
4	Reserved		
3	Reserved		
2	Reserved		
1	RX_LOS State	Digital state of SFP RX_LOS Output Pin (1 = RX_LOS asserted)	
0	Data Ready (Bar)	Indicates transceiver is powered and real time sense data is ready (0 = ready).	

## EEPROM Serial ID Memory Contents – Alarms and Warnings (Address A2h, Bytes 112, 113, 116, 117)

**Table 14 EEPROM Serial ID Memory Contents – Alarms and Warnings (Address A2h, Bytes 112, 113, 116, 117)**

Byte	Bit	Flag Bit Name	Description
112	7	Temp High Alarm	Set when transceiver internal temperature exceeds high alarm threshold.
	6	Temp Low Alarm	Set when transceiver internal temperature exceeds low alarm threshold.
	5	Vcc High Alarm	Set when transceiver internal supply voltage exceeds high alarm threshold.
	4	Vcc Low Alarm	Set when transceiver internal supply voltage exceeds low alarm threshold.
	3	Tx Bias High Alarm	Set when transceiver LED bias exceeds high alarm threshold.
	2	Tx Bias Low Alarm	Set when transceiver LED bias exceeds low alarm threshold.
	1	Tx Power High Alarm	Set when transmitted average optical power exceeds high alarm threshold.
	0	Tx Power Low Alarm	Set when transmitted average optical power exceeds low alarm threshold.
113	7	Rx Power High Alarm	Set when received average optical power exceeds high alarm threshold.
	6	Rx Power Low Alarm	Set when received average optical power exceeds low alarm threshold.
	0-5	Reserved	
116	7	Temp High Warning	Set when transceiver case temperature exceeds high warning threshold.
	6	Temp Low Warning	Set when transceiver case temperature exceeds low warning threshold.
	5	Vcc High Warning	Set when transceiver internal supply voltage exceeds high warning threshold.
	4	Vcc Low Warning	Set when transceiver internal supply voltage exceeds low warning threshold.
	3	Tx Bias High Warning	Set when transceiver LED bias exceeds high warning threshold.
	2	Tx Bias Low Warning	Set when transceiver LED bias exceeds low warning threshold.
	1	Tx Power High Warning	Set when transmitted average optical power exceeds high warning threshold.
	0	Tx Power Low Warning	Set when transmitted average optical power exceeds low warning threshold.
117	7	Rx Power High Warning	Set when received average optical power exceeds high warning threshold.
	6	Rx Power Low Warning	Set when received average optical power exceeds low warning threshold.
	0-5	Reserved	

---

## Settings of Alarm and Warning Thresholds

**Table 15 Settings of Alarm and Warning Thresholds**

	<b>Tx Power (dBm)</b>	<b>Rx Power (dBm)</b>	<b>Transceiver Temperature (°C)</b>	<b>Supply Voltage (V)</b>	<b>Tx Bias Current (mA)</b>
High Alarm	-11	-11	85	3.6	120
Low Alarm	-23	-33	-40	3	10
High Warning	-12	-12	80	3.5	110
Low Warning	-22	-32	-35	3.1	15

---

For product information and a complete list of distributors, please go to our web site: [www.broadcom.com](http://www.broadcom.com).

Broadcom, the pulse logo, Connecting everything, Avago Technologies, Avago, and the A logo are among the trademarks of Broadcom in the United States, certain other countries and/or the EU.

Copyright © 2016-2017 Broadcom. All Rights Reserved.

The term "Broadcom" refers to Broadcom Limited and/or its subsidiaries. For more information, please visit [www.broadcom.com](http://www.broadcom.com).

Broadcom reserves the right to make changes without further notice to any products or data herein to improve reliability, function, or design.

Information furnished by Broadcom is believed to be accurate and reliable. However, Broadcom does not assume any liability arising out of the application or use of this information, nor the application or use of any product or circuit described herein, neither does it convey any license under its patent rights nor the rights of others.

pub-005500 – March 30, 2017

