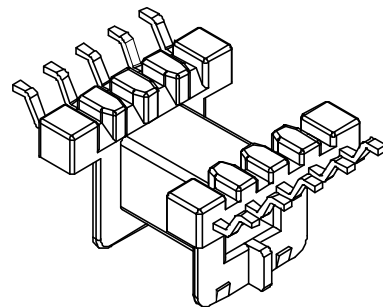
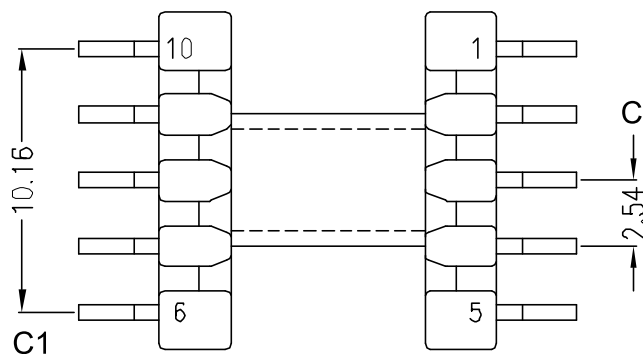
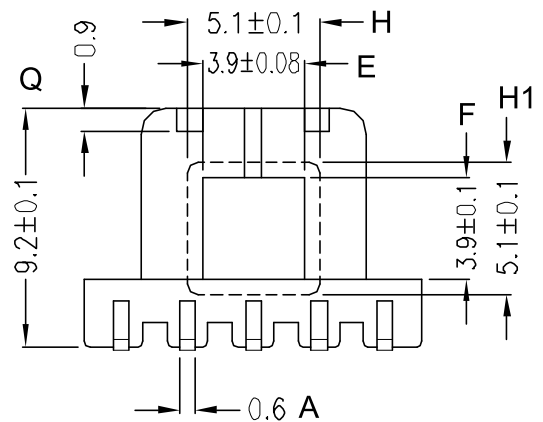
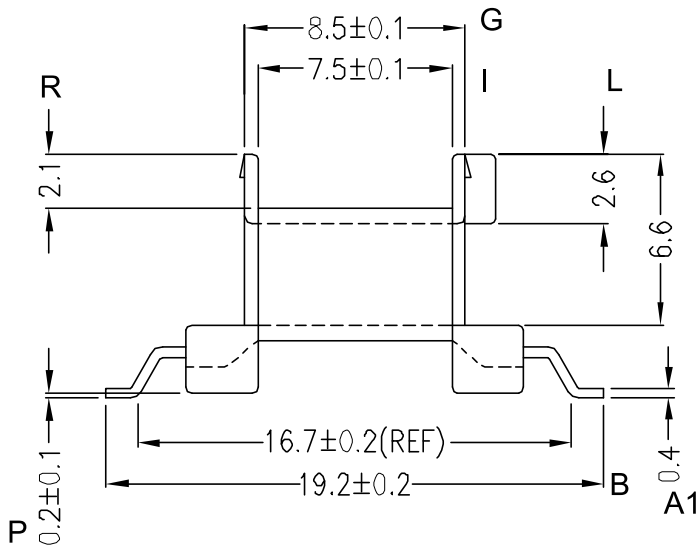
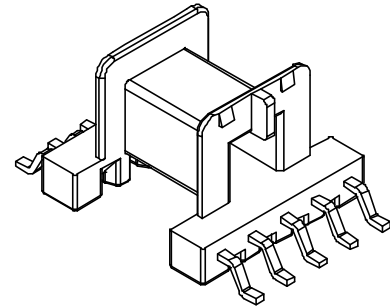
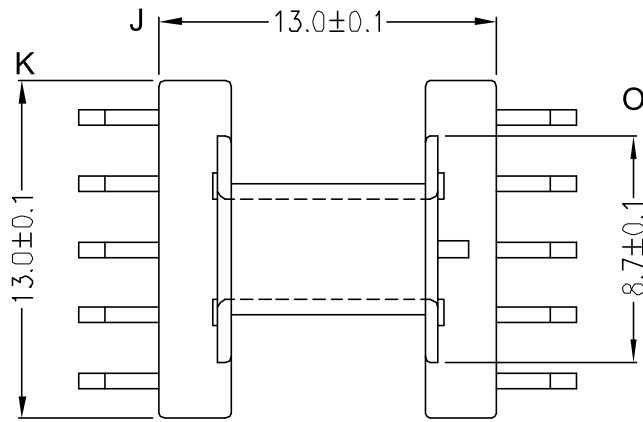


FERYSTER Inductive Components

ul. Traugutta 4 , 68-120 Iłowa Poland

http://www.feryster.com.pl e-mail: info@feryster.com.pl



DOSTAWCA:	TOLERANCES		ANGLE: $\pm 1^\circ$	TITLE: EF12.6-K-H-10P-SMD		
	$0 < L \leq 4 \pm 0.1$ $4 < L \leq 16 \pm 0.2$ $16 < L \leq 63 \pm 0.3$	COPLANARITY 0.1 MAX	UNIT: MM	BOBBIN MATERIAL: LCP E-4008	UL REC. UL 94V-0	
FERYSTER Inductive Components			ORIGIN: DG	PIN MATERIAL: PHOSPHOR BRONZE	PIN TENSION LOAD: 1.0 KG MIN	
Tel: +48 68 360 00 76 fax: +48 68 360 00 70				DATE: MAR. 12 2002	DRAWING NO. S-1204-1	REV. 0