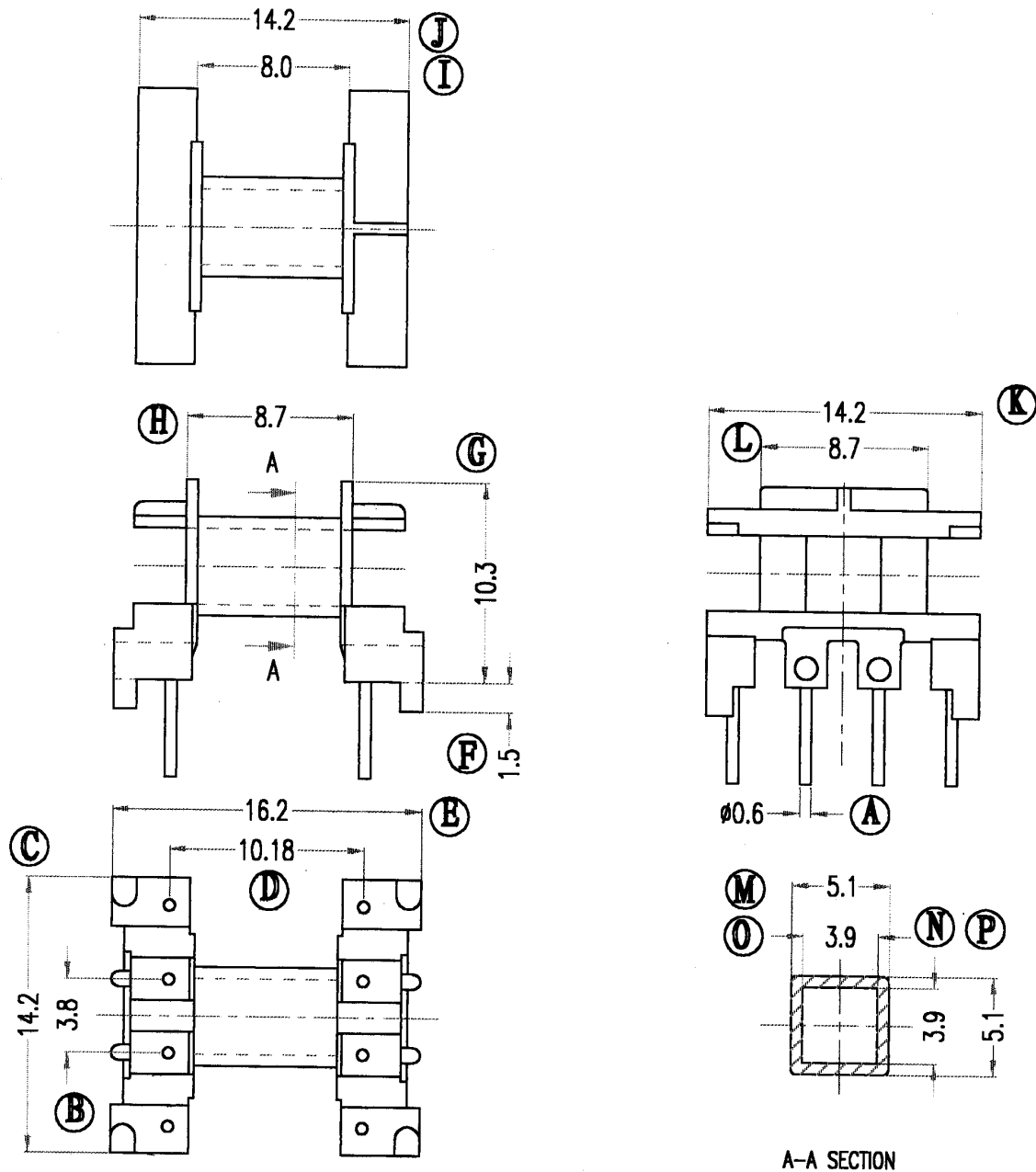


# FERYSTER



MATERIAL :	PHENOLIC
PIN MATERIAL :	CP WIRE
UL RECOGNITION :	94V-0
UNIT :	MM
TOLERANCE : X.X	+/- 0.2 MM
XX.X	+/- 0.3 MM