

NX1610SA

For OA / AV / Mobile Communications

■ Features

Ultra compact, thin, and light weight tuning fork crystal unit.

- Ultra compact and thin. (1.6×1.0×0.45mm)
- Excellent electric performance optimum for mobile communications, OA (office automation) and AV (audiovisual) applications are exhibited.
- A surface-mount crystal oscillator. (Reflow soldering is possible.)
- RoHS compliant. These can meet the requirements of re-flow profiling using leadfree solder.



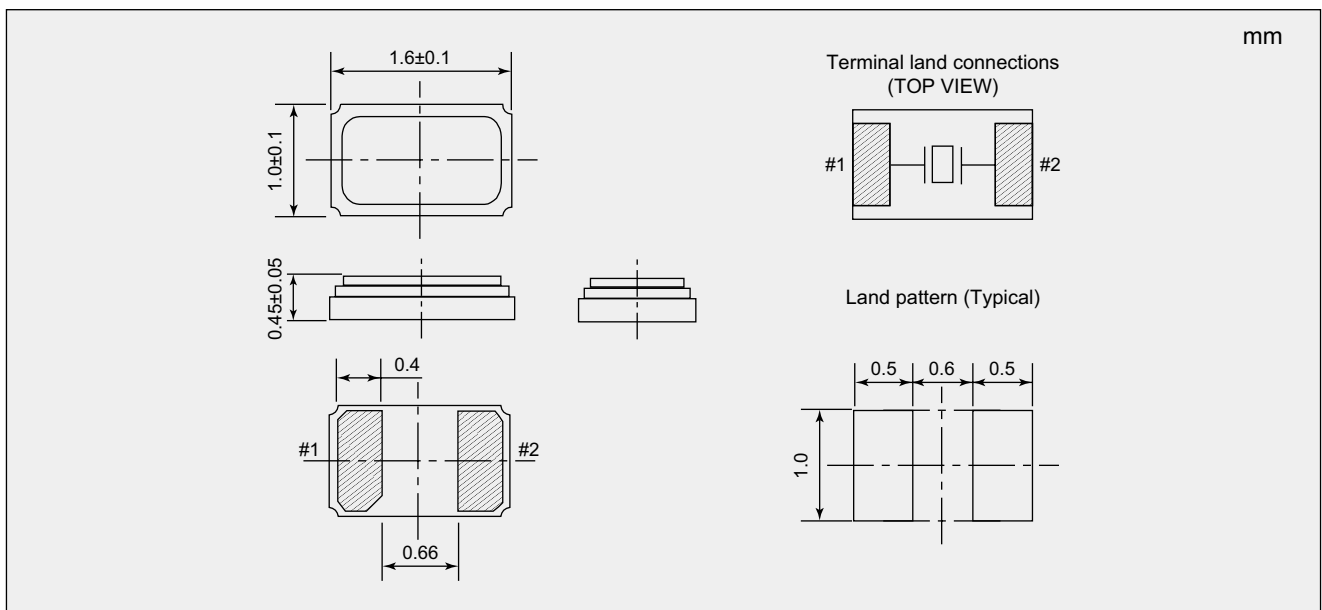
Pb Free

RoHS Compliant
Directive 2011/65/EU

■ Specifications

Item	Model	NX1610SA
Nominal Frequency		32.768kHz
Operating Temperature Range		-40 to +85°C
Storage Temperature Range		-40 to +85°C
Level of Drive		0.1μW (Max. 0.5μW)
Frequency Tolerance (25 ±3 °C)		±20 × 10 ⁻⁶
Turning Point		+25°C ± 5°C
Temperature Coefficient		Max. -0.04 × 10 ⁻⁶ /°C ²
Load Capacitance		12.5pF
Equivalent Series Resistance		Max. 90kΩ
Shunt Capacitance		Typ. 1.3pF/ Max. 1.6pF
Insulation Resistance		Min. 500MΩ
Specifications Number		STD-MUD-1

■ Dimensions



Please specify the model name, frequency, and specification number when you order products.
For further questions regarding specifications, please feel free to contact us.