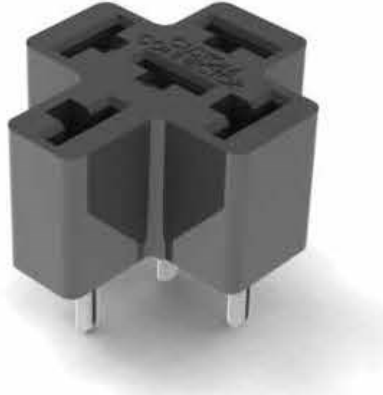


4 / 5 Pin Mini ISO Automotive Relay PCB Socket

SC792-PCB

**For use with, PC792A,
PC792C and PC792H**



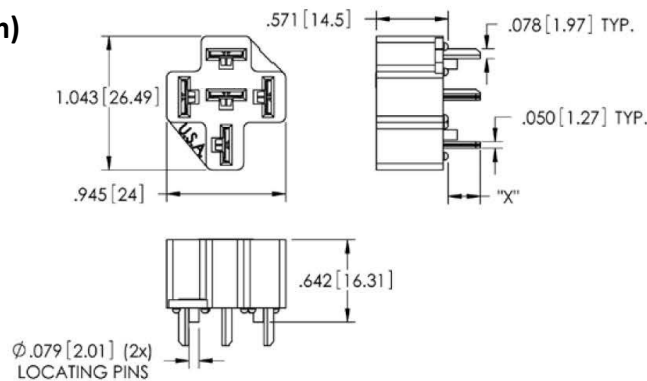
FEATURES

- Mini ISO Automotive Relay Socket
- Heat Stabilized Thermoplastic
- -40 to 140°C Operating Temperature
- Six Versions
 - 4 Pin Socket with 0.234" PCB Pins
 - 4 Pin Socket with 0.149" SPCB Pins
 - 5 Pin Socket with 0.234" PCB Pins
 - 5 Pin Socket with 0.234" PCB Pins w/o Locating Pins
 - 5 Pin Socket with 0.149" SPCB Pins
 - 5 Pin Socket with 0.149" SPCB Pins w/o Locating Pins
- RoHS Compliant

ORDERING INFORMATION

Part Number	Description	Pin Length	Terminal	Form
SC792-4 PIN	4 Pin Socket with 0.234" PCB Pins.	0.234" (5.94mm)	Quick Connect	1A
SC792-4PIN-S	4 Pin Socket with 0.149" SPCB Pins.	0.149" (3.78mm)	Quick Connect	1A
SC792-5PIN	5 Pin Socket with 0.234" PCB Pins.	0.234" (5.94mm)	Quick Connect	1A,1C
SC792-5PIN-XL	5 Pin Socket with 0.234" PCB Pins w/o Locating Pins	0.234" (5.94mm)	Quick Connect	1A, 1C
SC792-5PIN-S	5 Pin Socket with 0.149" SPCB Pins	0.149" (3.78mm)	Quick Connect	1A,1C
SC792-5PIN-SXL	5 Pin Socket with 0.149" SPCB Pins w/o Locating Pins	0.149" (3.78mm)	Quick Connect	1A, 1C

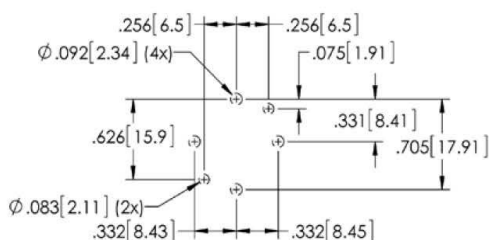
DIMENSIONS Inches (mm)



Pin Lengths

SPCB models X = .149" [3.78]
PCB models X = .234" [5.94]

4 Pins



5 Pins

