

1. PART NO. EXPRESSION :

S M C 1 0 0 7 R 1 7 L A F
 (a) (b) (c) (d)(e)(f)

(a) Series code

(b) Dimension code

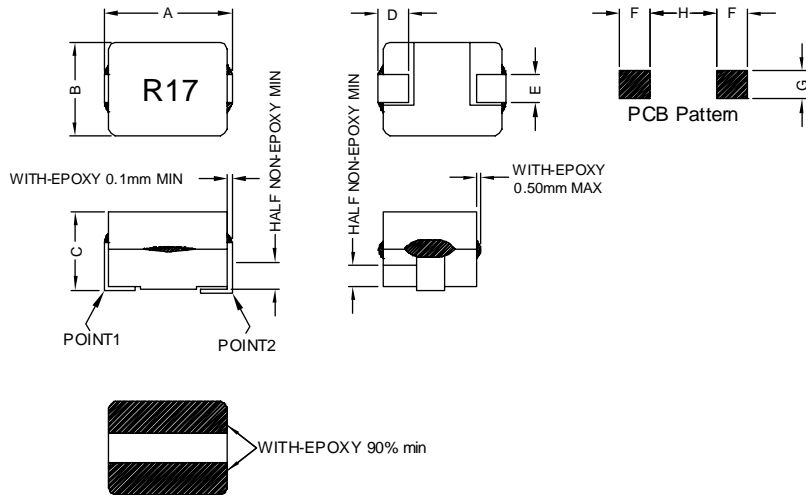
(c) Inductance code : R17 = 0.17uH

(d) Tolerance code : L = ± 15%

(e) A : Special Products

(f) F : RoHS Compliant

2. CONFIGURATION & DIMENSIONS :



Unit : mm

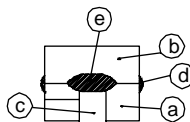
A	B	C	D	E	F	G	H
10.40 Max.	8.00 Max.	7.30± 0.30	2.54± 0.30	2.30± 0.20	3.29 Ref.	2.79 Ref.	4.32 Ref.

3. SCHEMATIC :



4. MATERIALS :

- a) Core
- b) Core
- c) Clip
- d) Adhesive
- e) Adhesive



RoHS Compliant

NOTE : Specifications subject to change without notice. Please check our website for latest information.

05.01.2015



SUPERWORLD ELECTRONICS (S) PTE LTD

5. GENERAL SPECIFICATION :

- a) Temp. Rise : 40°C Max. at I_{rms}
- b) $\Delta L / L_{0A}$: 30% Typ. at I_{sat}
- c) Operating Temperature : -40° C ---+125° C
- d) Storage condition (component in its packaging)
 - i) Temperature : -10 to 40° C
 - ii) Humidity : 60%

6. ELECTRICAL CHARACTERISTICS :

Part Number	Inductance (μ H)	Test Frequency (Hz)	DC Resistance ($m\Omega$) $\pm 10\%$	I _{rms} (A)	I _{sat} (A)
SMC1007R17LAF	0.17 \pm 15%	1V/100K	0.29	61	60
SMC1007R22KAF	0.215 \pm 10%	1V/100K	0.29	61	44



RoHS Compliant

NOTE : Specifications subject to change without notice. Please check our website for latest information.

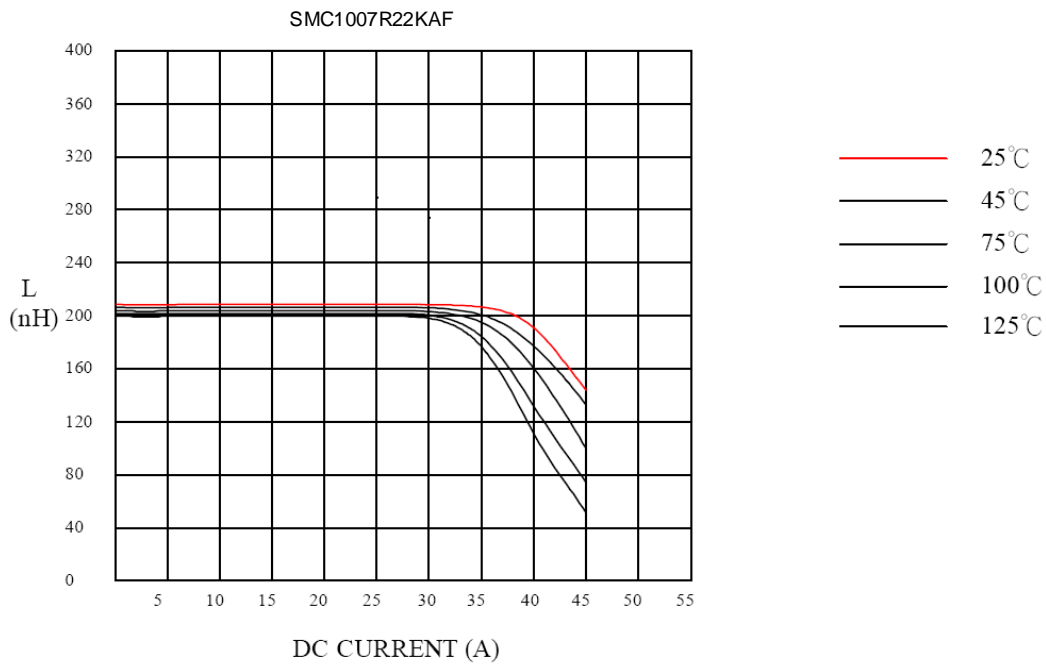
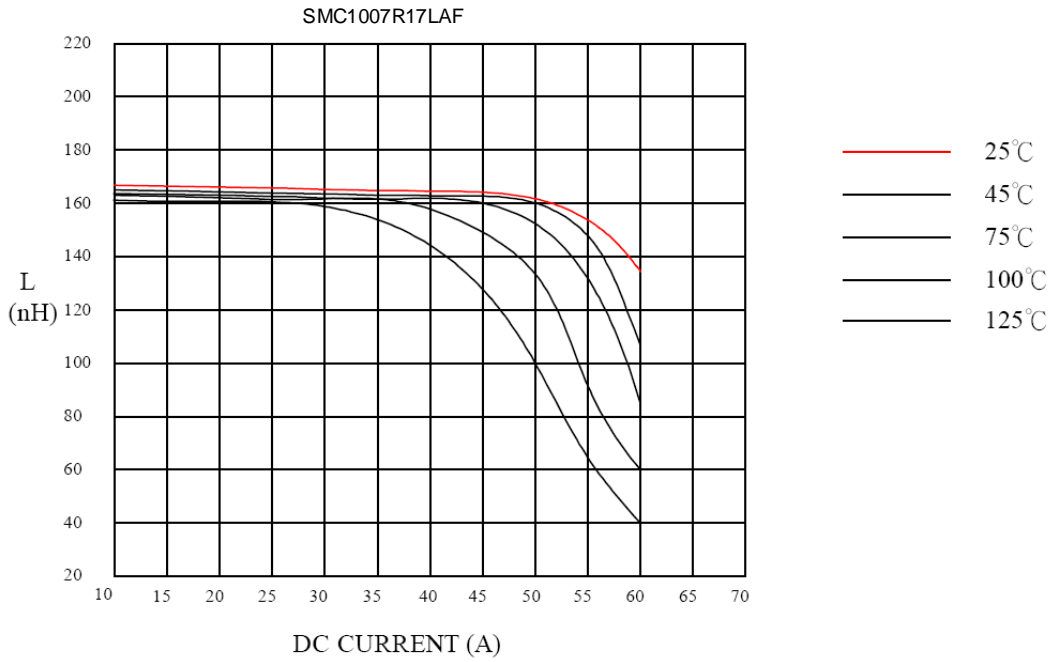
05.01.2015



SUPERWORLD ELECTRONICS (S) PTE LTD

7. CHARACTERISTICS CURVES :

@ INDUCTANCE VS. DC SUPERPOSITION RESPONSE CURVE



RoHS Compliant

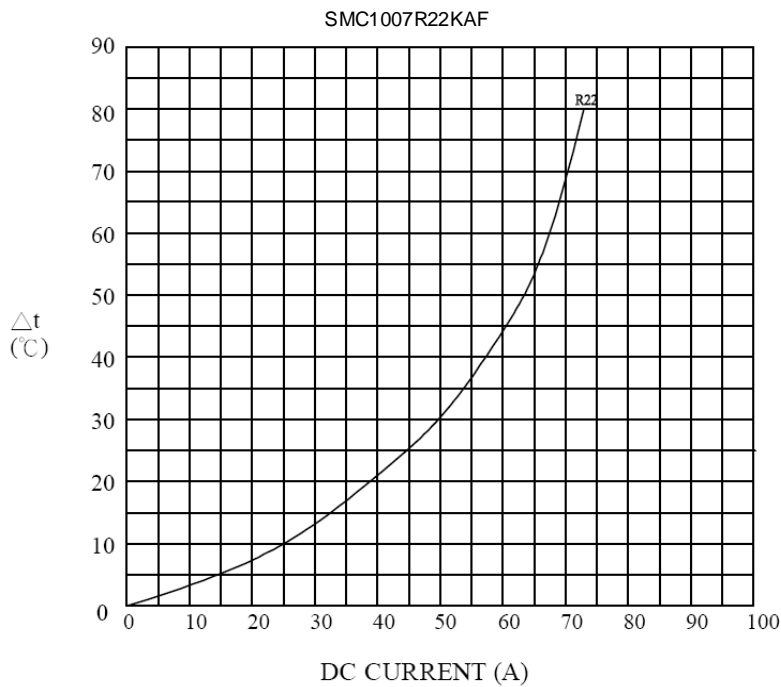
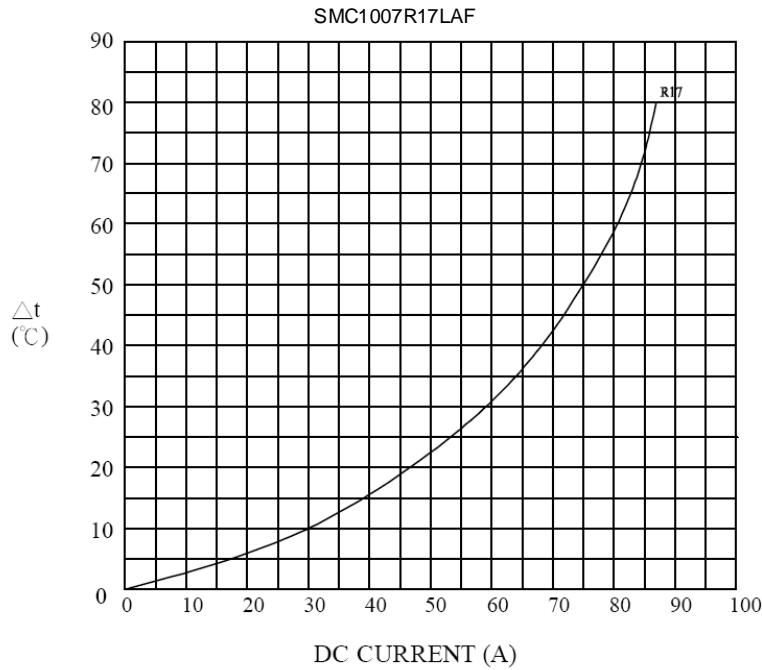
NOTE : Specifications subject to change without notice. Please check our website for latest information.

05.01.2015



SUPERWORLD ELECTRONICS (S) PTE LTD

@ TEMP. RISE VS. DC SUPERPOSITION RESPONSE CURVE



RoHS Compliant

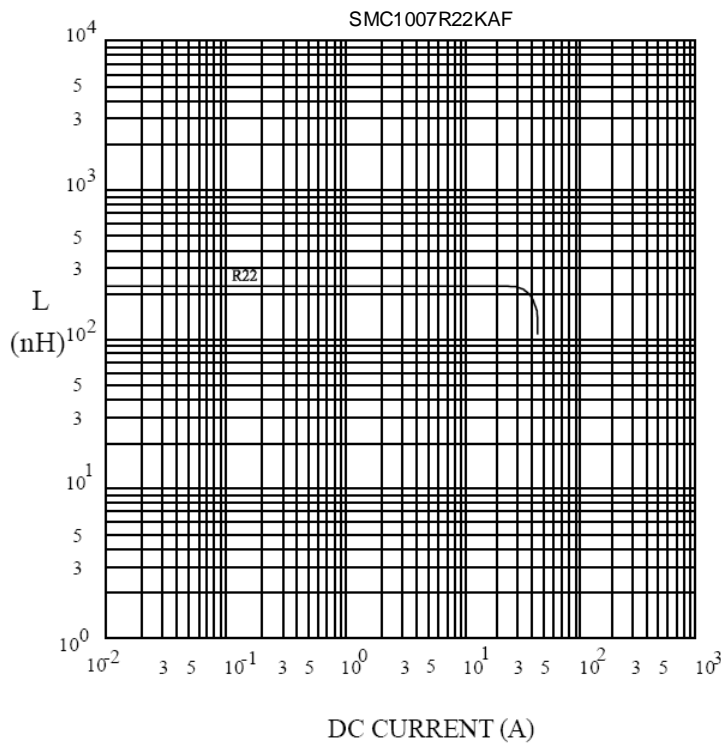
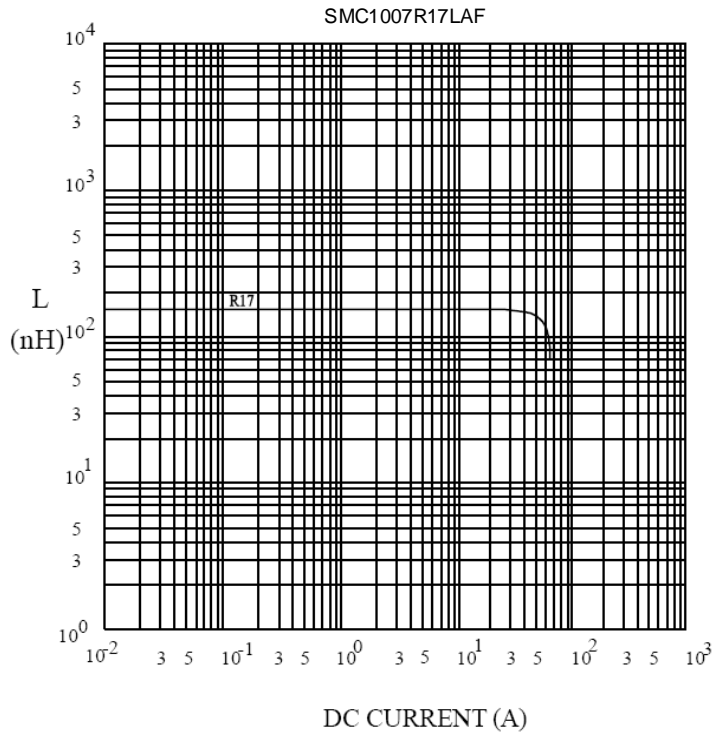
NOTE : Specifications subject to change without notice. Please check our website for latest information.

05.01.2015



SUPERWORLD ELECTRONICS (S) PTE LTD

@ INDUCTANCE VS. DC SUPERPOSITION RESPONSE CURVE



RoHS Compliant

NOTE : Specifications subject to change without notice. Please check our website for latest information.

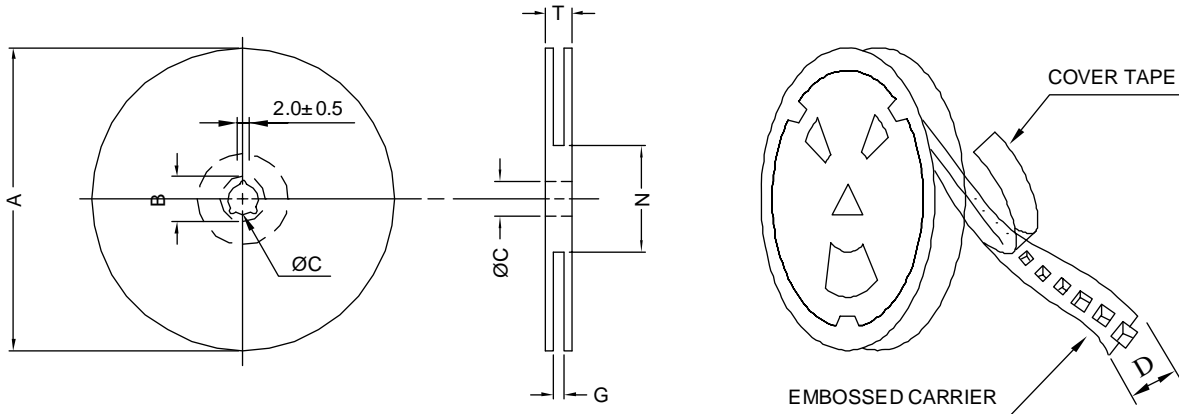
05.01.2015



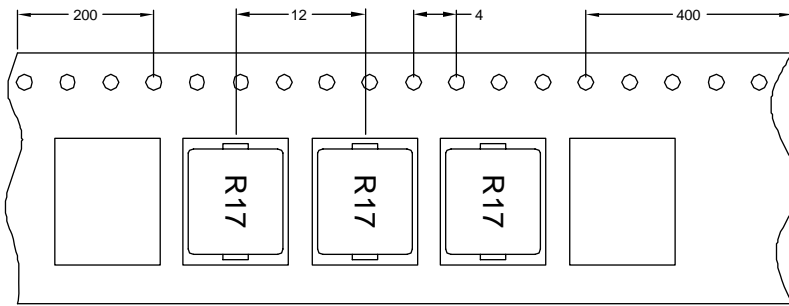
SUPERWORLD ELECTRONICS (S) PTE LTD

8. PACKAGING INFORMATION :

(1) CONFIGURATION



* CARRIER TAPE WIDTH : D



(2) DIMENSIONS

Unit:m/m

STYLE	A	B	C	D	G	N	T
13-24	330	21±0.8	13±0.5	24	26 ⁺⁰	50 ⁻⁰	30.4

(3) QTY & G.W. PER PACKAGE

SERIES	INNER : REEL			OUTER : CARTON		
	QTY (PCS)	G.W. (gw)	STYLE	QTY (PCS)	G.W. (Kg)	SIZE (cm)
SMC1007	500	1575	13-24	2000	7.3	38 x 36.5 x 21



RoHS Compliant

NOTE : Specifications subject to change without notice. Please check our website for latest information.

05.01.2015



SUPERWORLD ELECTRONICS (S) PTE LTD