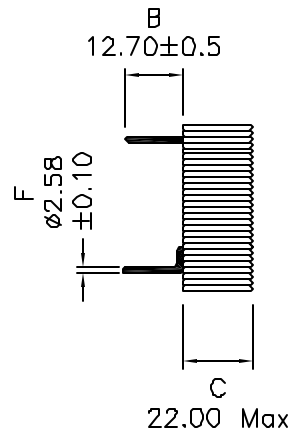
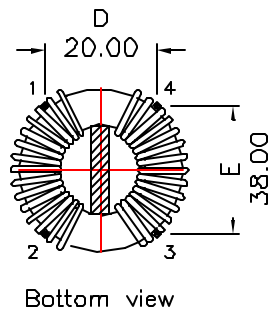
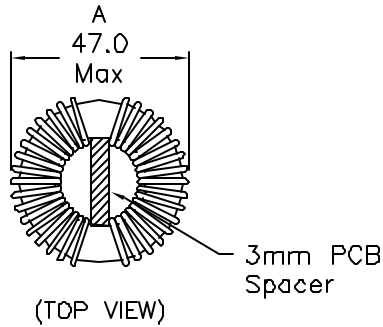


1. Mechanical Dimensions:

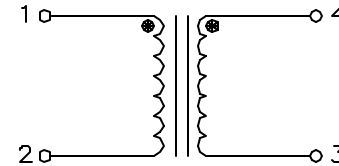


Notes:

1. Solderability: Leads shall meet MIL-STD-202G, Method 208H for solderability.
2. Flammability: UL94V-0
3. ASTM oxygen index: > 28%
4. Insulation System Rating: 200°C
5. All listed parameters are to be within tolerance from -40°C to +85°C unless otherwise noted
6. Storage Temperature Range: -55°C to +125°C
7. Aqueous wash compatible
8. Electrical and mechanical specifications 100% tested
9. RoHS Compliant Component

DOC REV: A/2

2. Schematic:



3. Electrical Specifications: @25°C

OCL: 350uH-517uH @10KHz 0.1V, Each Wdg (0°C to 85°C)

200uH Min @10KHz 0.1V, Each Wdg (-40°C to 0°C)

Q: Pins 1-2 40 Min @10KHz 0.1V

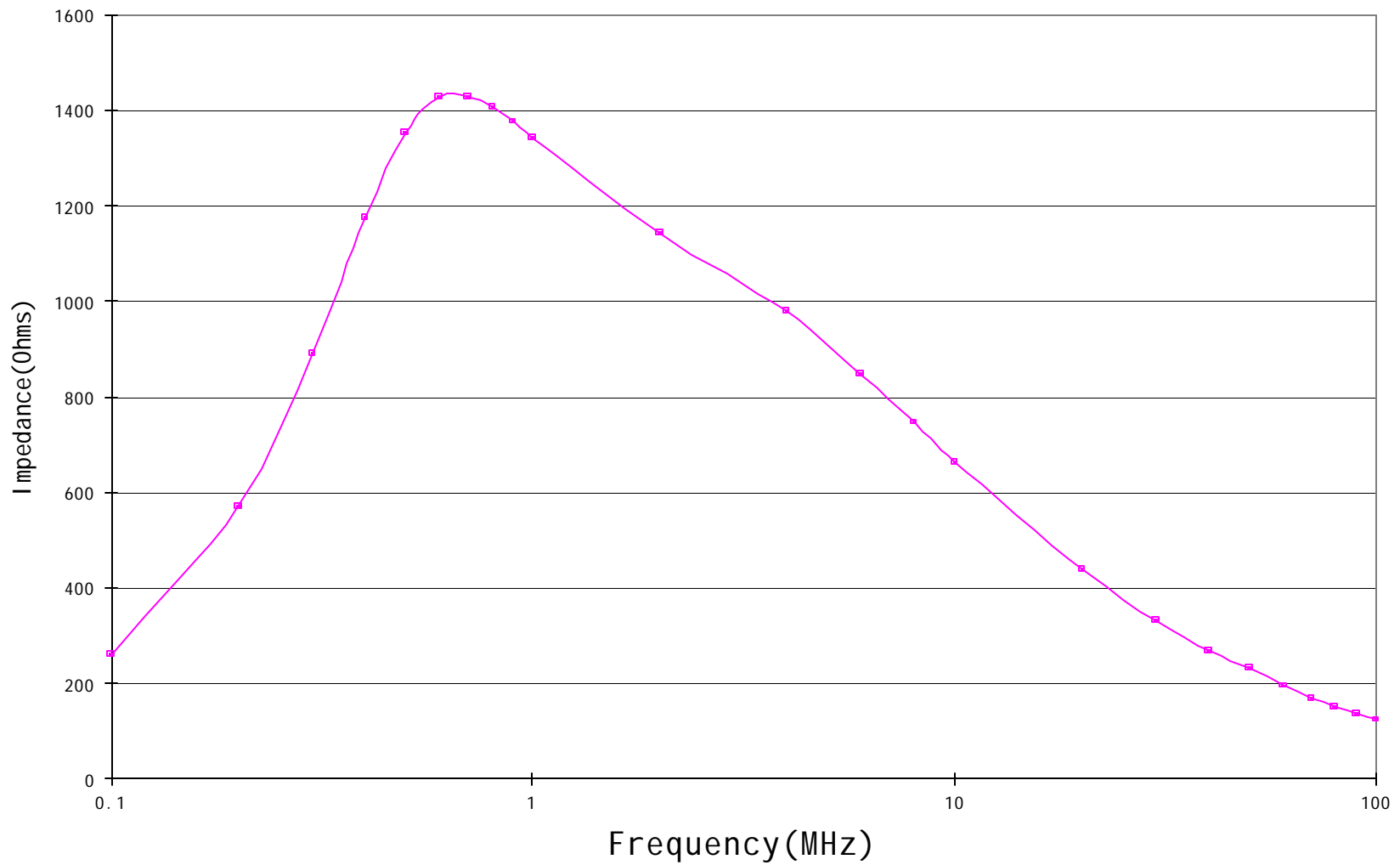
LL: 5.0uH Max @10KHz 0.1V Short Opp. Wdg.

DCR: 1.6 mOhms Typ, Each Wdg

CURRENT RATING: 30A

Hi-pot: 1500Vac for 2 Sec Wdg to Wdg

XFMRS Inc. www.XFMRS.com	Title: COMMON MODE CHOKE		
	UNLESS OTHERWISE SPECIFIED TOLERANCES: .xx ±0.25 Dimensions in MM	P/N: XF3506-HOCMC	REV. A
SHEET 1 OF 2	DWN.	Feng	Jan-17-11
	CHK.	YK Liao	Jan-17-11
	APP.	Joe Huff	Jan-17-11



DOC REV: A/2

XFMRs Inc. www.XFMRS.com	Title: COMMON MODE CHOKE			
	UNLESS OTHERWISE SPECIFIED TOLERANCES: .xx ±0.25 Dimensions in MM	P/N: XF3506-HOCMC	REV. A	
SHEET 2 OF 2	DWN.	Feng	Jan-17-11	
	CHK.	YK Liao	Jan-17-11	
	APP.	Joe Huff	Jan-17-11	

PROPRIETARY Document is the property of XFMRs Group & is not allowed to be duplicated without authorization.