

PLEASE CHECK WWW.MOLEX.COM FOR LATEST PART INFORMATION

Part Number: [1040922000](#)
Status: **Active**
Description: IllumiMate™ 1.25mm Pitch Wire-to-Board Crimp Housing, Right-Angle Single Row, 20 Circuits

Documents:

[3D Model](#) [Packaging Specification PK-104092-001-001 \(PDF\)](#)
[Drawing \(PDF\)](#) [RoHS Certificate of Compliance \(PDF\)](#)
[Product Specification PS-104091-001-001 \(PDF\)](#)

General

Product Family Crimp Housings
 Series [104092](#)
 Application Signal, Wire-to-Board
 Product Name IllumiMate™
 UPC 884982407121

Physical

Circuits (maximum) 20
 Color - Resin Natural
 Gender Receptacle
 Glow-Wire Compliant No
 Keying to Mating Part None
 Lock to Mating Part Yes
 Material - Resin High Temperature Thermoplastic
 Net Weight 0.470/g
 Number of Rows 1
 Packaging Type Embossed Tape on Reel
 Panel Mount No
 Pitch - Mating Interface 1.25mm
 Polarized to Mating Part Yes
 Temperature Range - Operating -25°C to +130°C

Electrical

Current - Maximum per Contact 1.5A

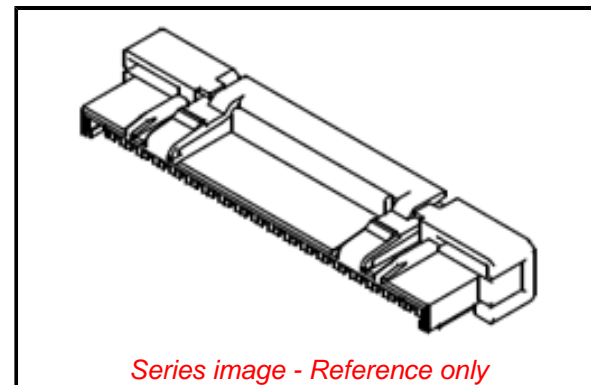
Solder Process Data

Lead-free Process Capability N/A

Material Info

Reference - Drawing Numbers

Packaging Specification PK-104092-001-001
 Product Specification PS-104091-001-001
 Sales Drawing SD-104092-001



EU ELV

Not Relevant

EU RoHS

Compliant

REACH SVHC

Not Contained Per
 -ED/01/2017 (12
 January 2017)

Halogen-Free

Status

Low-Halogen

Need more information on product environmental compliance?

Email productcompliance@molex.com
 Please visit the [Contact Us](#) section for any non-product compliance questions.

China ROHS	Green Image
ELV	Not Relevant
RoHS Phthalates	Not Contained

Search Parts in this Series

[104092 Series](#)

Mates With

[104091-2020](#)

Use With

[104521-6001](#)