

Transformer, 1:1
45 MHz - 1200 MHz

Rev. V1

Features

- ◆ 1:1 impedance ratio
- ◆ Surface mount
- ◆ Available on tape and reel
- ◆ 260°C reflow compatible
- ◆ RoHS Compliant and Pb free
- ◆ Excellent temperature stability
- ◆ Can be used on 50Ω and 75Ω systems
- ◆ Suitable for all CATV, Broadband and FTTx applications.



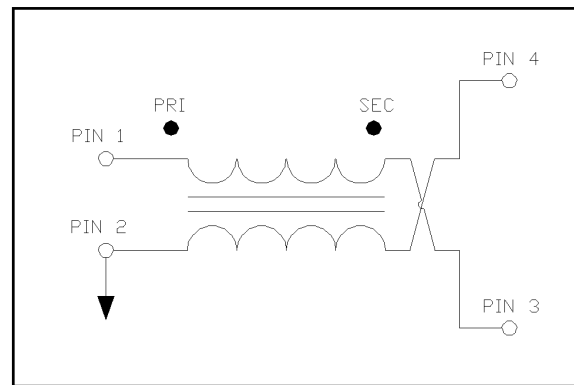
Electrical Specifications: $Z_0 = 75\Omega$, $T_A = 25^\circ\text{C}$, $P_{in} = 0\text{dBm}$

Parameter	Conditions	Units	Min	Typ	Max
Frequency Range		MHz	45		1200
Impedance		Ω		75	
Impedance Ratio				1:1	
Insertion Loss (pin1-pin4)	45 - 100 MHz	dB	-	0.50	0.6
	100 - 600 MHz	dB	-	0.55	0.8
	600 - 1200 MHz	dB	-	0.60	1.1
Insertion Loss (pin1-pin3)	45 - 100 MHz	dB	-	-0.10	0.0
	100 - 600 MHz	dB	-	0.20	0.7
	600 - 1200 MHz	dB	-	0.70	1.3
Amplitude Balance	45 - 600 MHz	dB	-	0.5	± 0.8
	600 - 1200 MHz	dB	-	0.2	± 0.8
Phase Balance (ref 180 deg)	45 - 600 MHz	degree	-	3	± 6
	600 - 1200 MHz	degree	-	4	± 8
Input Return Loss (pin1)	45 - 150 MHz	dB	20	33	-
	150 - 600 MHz	dB	17	23	-
	600 - 1200 MHz	dB	12	15	-

Pin Configuration

Pin No.	Function
1	Primary Dot
2	Primary
3	Secondary Dot
4	Secondary

Schematic

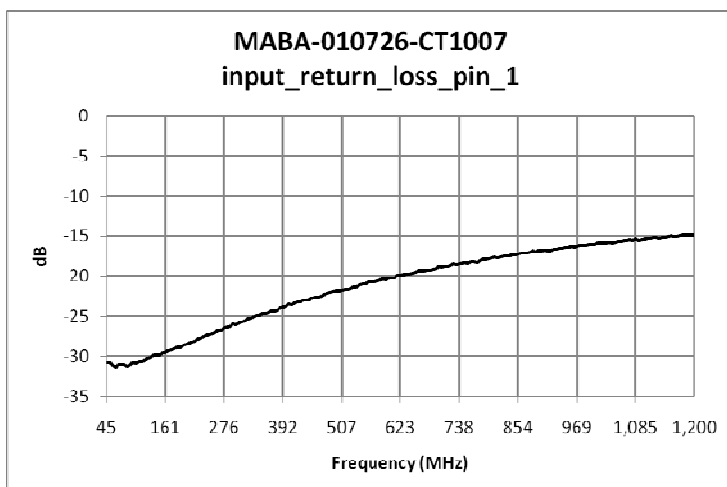
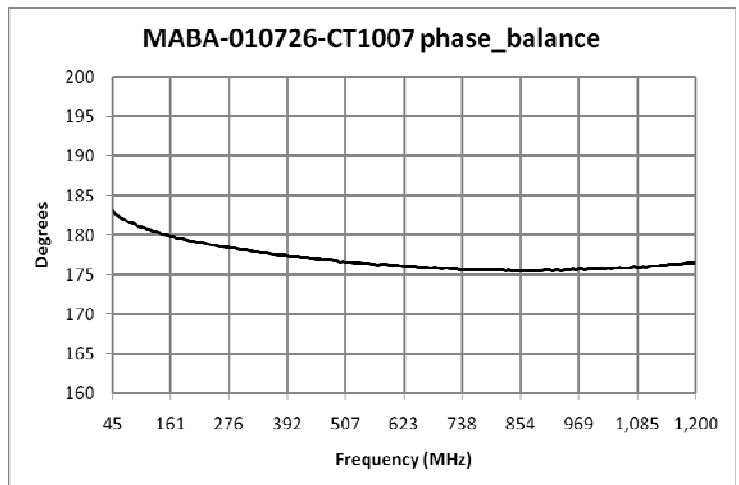
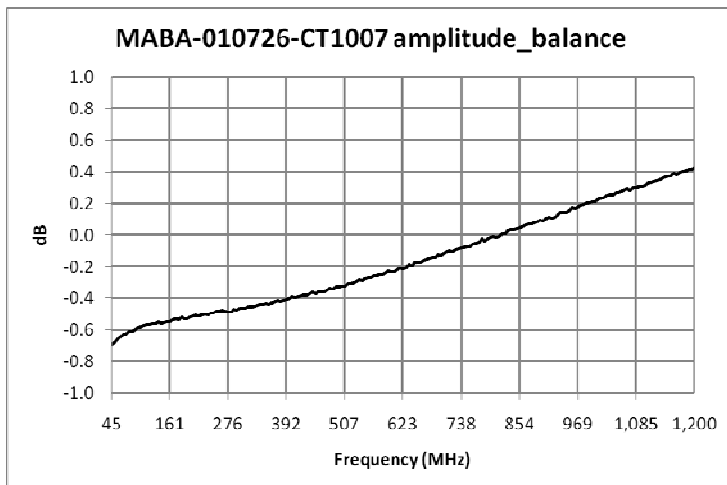
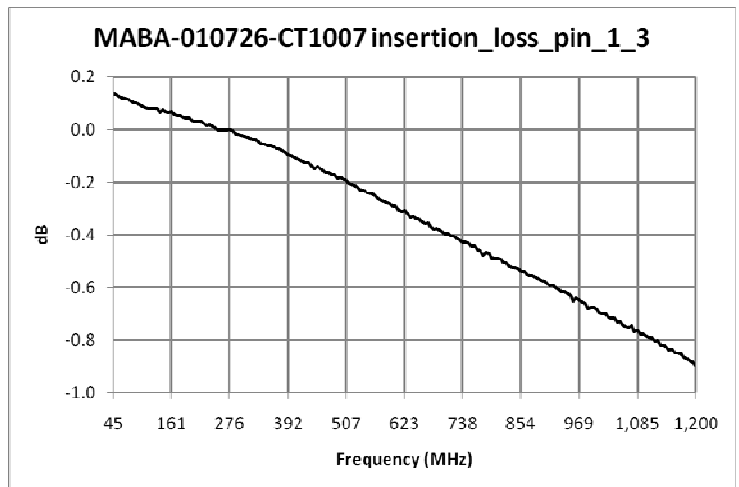
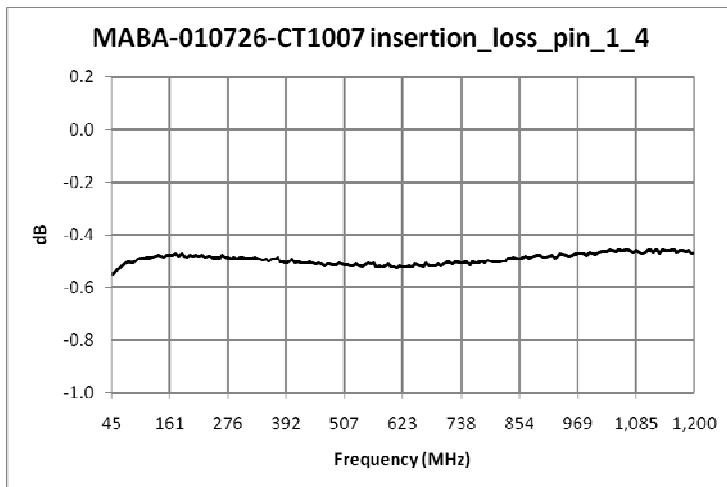


MABA-010726-CT1007



Transformer, 1:1
45 MHz - 1200 MHz

Rev. V1



Electrical Specifications: $Z_0 = 75\Omega$, $T_A = 25^\circ\text{C}$, $P_{in} = 0\text{dBm}$

ADVANCED: Data Sheets contain information regarding a product M/A-COM Technology Solutions is considering for development. Performance is based on target specifications, simulated results, and/or prototype measurements. Commitment to develop is not guaranteed.
PRELIMINARY: Data Sheets contain information regarding a product M/A-COM Technology Solutions has under development. Performance is based on engineering tests. Specifications are typical. Mechanical outline has been fixed. Engineering samples and/or test data may be available. Commitment to produce in volume is not guaranteed.

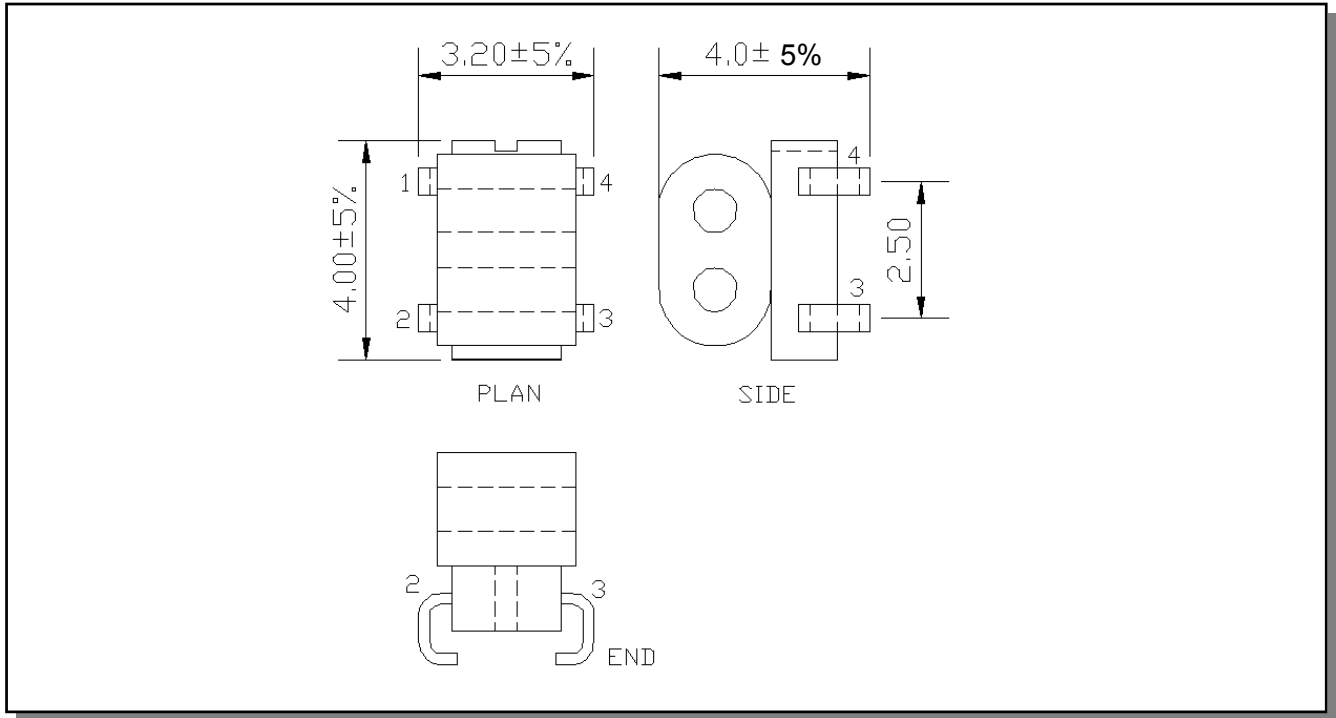
• **North America** Tel: 800.366.2266 • **Europe** Tel: +353.21.244.6400
• **India** Tel: +91.80.43537383 • **China** Tel: +86.21.2407.1588
Visit www.macomtech.com for additional data sheets and product information.

M/A-COM Technology Solutions Inc. and its affiliates reserve the right to make changes to the product(s) or information contained herein without notice.

Transformer, 1:1
45 MHz - 1200 MHz

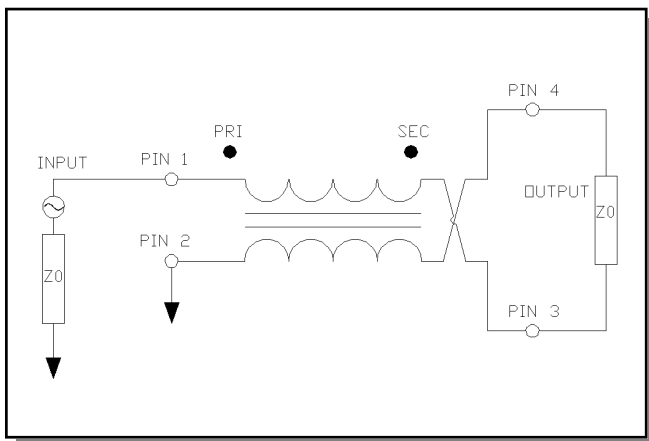
Rev. V1

Outline Drawing

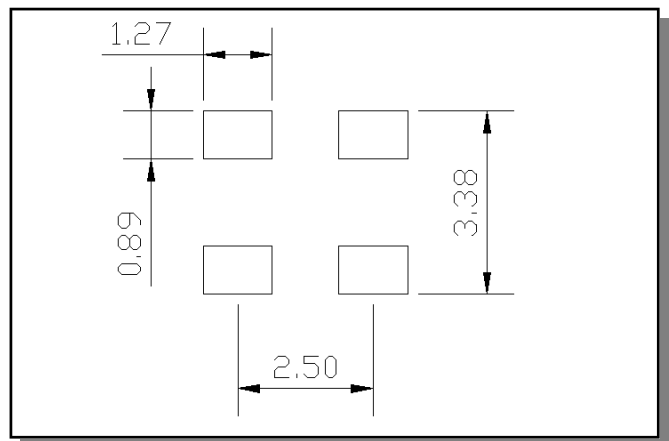


1. Dimensions in mm.
2. Tolerance: ± 0.2 mm unless otherwise noted.
3. Model number and lot code printed on reel.
4. Plating finish: CuSn6

Application Circuit



Recommended Footprint



Tape & Reel Information

Parameter	Units	Value
Qty per reel	-	2000
Reel size	mm	330
Tape width (W)	mm	12.00
Pitch (P ₁)	mm	8.00
A ₀	mm	3.5
B ₀	mm	4.3
K ₀	mm	4.2
Orientation	-	F48
Reference Application note ANI-019 for orientation		

Ordering Information

Part Number	Description
MABA-010726-CT1007	Tape & Reel
MABA-010726-CT10TB	Customer Evaluation Board

Recommended Maximum Ratings

Parameter	Units	Min	Max
Input Power	mW		250
DC Current	mA		200
Operating Temperature Range	°C	-40	+85
Storage Temperature Range	°C	-55	+125

Temperature data available on request