



7 Section Highpass Filter With SMA Female Connectors Operating From 1 GHz to 13 GHz

TECHNICAL DATA SHEET

PE87FL1018

The PE87FL1018 is a seven section High pass filter. The pass band is 12,000 MHz wide, from 1 GHz to 13 GHz with excellent rejection of 40 dB from DC to 500 MHz. It has a maximum insertion loss of 2 dB. The PE87FL1018 has SMA female connectors.

Configuration

Design	High Pass Filter
Number of Sections	7
Connector 1	SMA Female
Connector 2	SMA Female
Passband Frequency Range	1 to 13 GHz

Electrical Specifications

Description	Minimum	Typical	Maximum	Units
Passband Freq.	1000		13	MHz
Useable Freq. Range		1 to 13		GHz
Impedance		50		Ohms
Insertion Loss			2	dB
Input Power			5	Watts
Rejection at 0 KHz	40			dB
Rejection at 500 MHz	40			dB

Mechanical Specifications

Size	
Length	0.85 in [21.59 mm]
Width	0.6 in [15.24 mm]
Height	0.7 in [17.78 mm]

Connectors

Description	Connector 1	Connector 2
Type	SMA Female	SMA Female

Compliance Certifications (visit www.Pasternack.com for current document)

RoHS Compliant	
REACH Compliant	06/14/2014

Plotted and Other Data

- Notes:
- Values at +25 °C, sea level

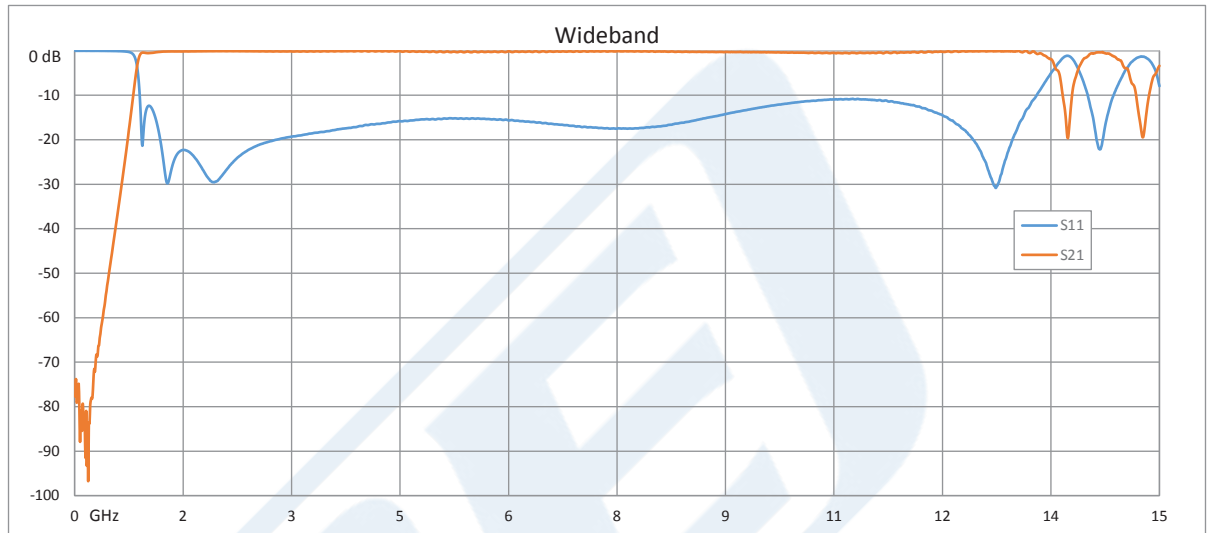
Click the following link (or enter part number in "SEARCH" on website) to obtain additional part information including price, inventory and certifications: [7 Section Highpass Filter With SMA Female Connectors Operating From 1 GHz to 13 GHz PE87FL1018](#)



7 Section Highpass Filter With SMA Female Connectors Operating From 1 GHz to 13 GHz

TECHNICAL DATA SHEET

PE87FL1018



7 Section Highpass Filter With SMA Female Connectors Operating From 1 GHz to 13 GHz from Pasternack Enterprises has same day shipment for domestic and International orders. Our RF, microwave and millimeter wave products maintain a 99% availability and are part of the broadest selection in the industry.

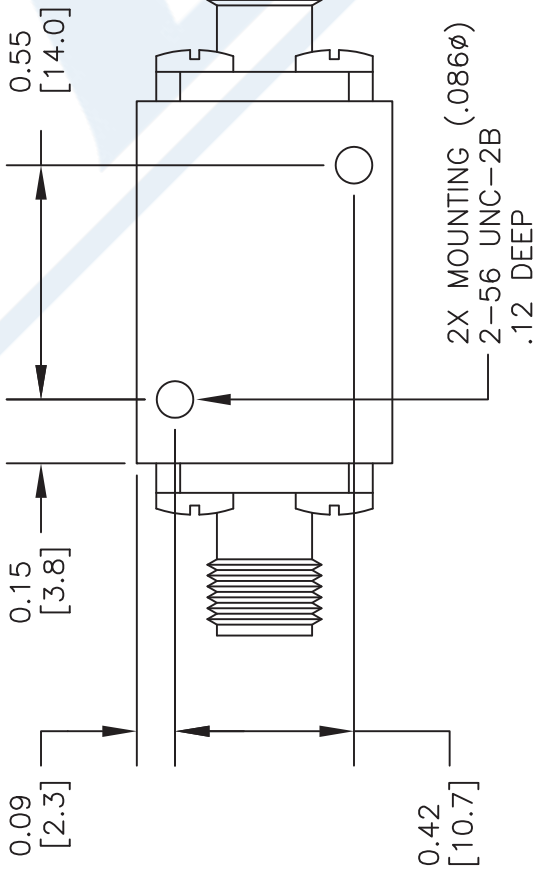
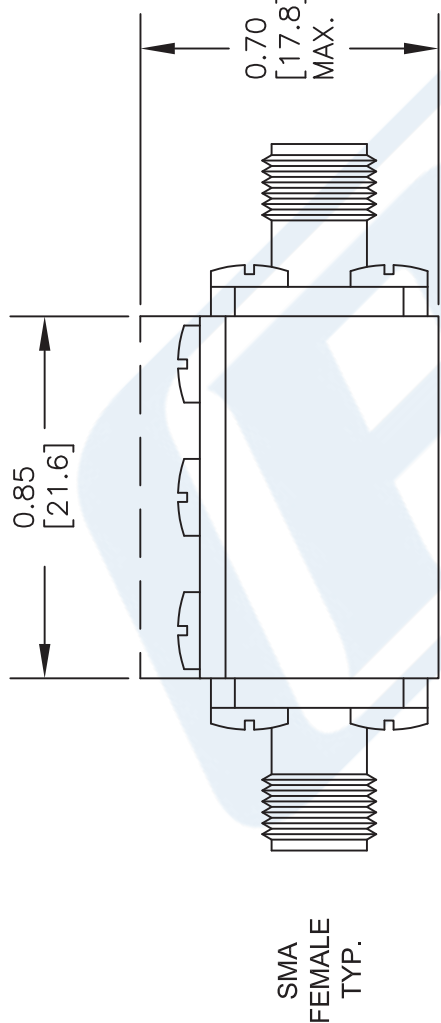
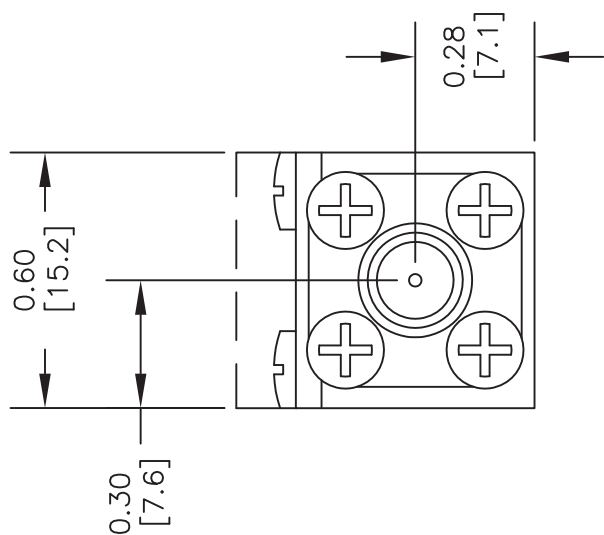
Click the following link (or enter part number in "SEARCH" on website) to obtain additional part information including price, inventory and certifications: [7 Section Highpass Filter With SMA Female Connectors Operating From 1 GHz to 13 GHz PE87FL1018](http://www.pasternack.com/7-section-high-pass-filter-1-13-ghz-passband-12-ghz-pe87fl1018-p.aspx)

URL: <http://www.pasternack.com/7-section-high-pass-filter-1-13-ghz-passband-12-ghz-pe87fl1018-p.aspx>

The information contained in this document is accurate to the best of our knowledge and representative of the part described herein. It may be necessary to make modifications to the part and/or the documentation of the part, in order to implement improvements. Pasternack reserves the right to make such changes as required. Unless otherwise stated, all specifications are nominal. Pasternack does not make any representation or warranty regarding the suitability of the part described herein for any particular purpose, and Pasternack does not assume any liability arising out of the use of any part or documentation.

PE87FL1018 CAD Drawing

7 Section Highpass Filter With SMA Female Connectors Operating From 1 GHz to 13 GHz



TOLERANCE	
.X	± .1
.XX	± .01
.XXX	± .005
.XXXX	± .0010

* THESE DIMENSIONS AND TOLERANCES SUPERSEDE NOTE #1 ON TITLE BLOCK.

NOTES:

1. UNLESS OTHERWISE SPECIFIED ALL DIMENSIONS ARE NOMINAL.
2. ALL SPECIFICATIONS ARE SUBJECT TO CHANGE WITHOUT NOTICE AT ANY TIME.
3. DIMENSIONS ARE IN INCHES [mm].

DWG TITLE

PE87FL1018



PASTERNAK
 THE ENGINEER'S RF SOURCE
 Pasternack Enterprises, Inc.
 P.O. Box 16759 | Irvine | CA | 92623
 Phone: (949) 261-1920 | Fax: (949) 261-7451
 Website: www.pasternack.com | E-Mail: sales@pasternack.com

FSCM NO. 53919

CAD FILE 110215

SCALE N/A

SIZE A

2233