

# SRF2020CT THRU SRF20200CT

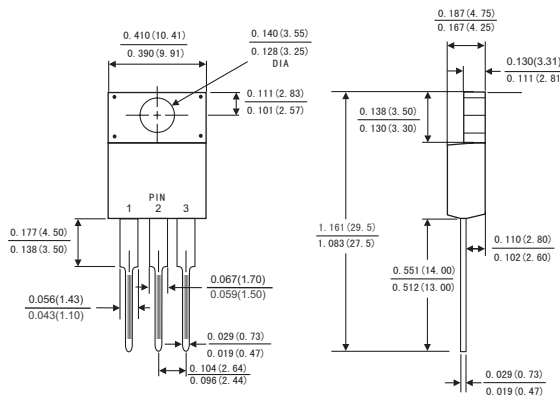
SCHOTTKY BARRIER RECTIFIER  
Reverse Voltage - 20 to 200 Volts  
Forward Current - 20Amperes

## FEATURES

- Plastic package has Underwriters Laboratory Flammability Classification 94V-0
- Metal silicon junction ,majority carrier conduction
- Guard ring for overvoltage protection
- Low power loss ,high efficiency
- High current capability ,Low forward voltage drop
- High surge capability
- For use in low voltage ,high frequency inverters, free wheeling ,and polarity protection applications
- Dual rectifier construction
- High temperature soldering guaranteed:260°C/10 seconds,, 0.25"(6.35mm)from case
- Component in accordance to RoHS 2011/65/EU



## ITO-220AB



## MECHANICAL DATA

- Case: JEDEC ITO-220AB molded plastic body
- Terminals: Lead solderable per MIL-STD-750,method 2026
- Polarity: As marked
- Mounting Position: Any
- Weight: 0.08ounce, 2.24 gram

## MAXIMUM RATINGS AND ELECTRICAL CHARACTERISTICS

(Ratings at 25 °C ambient temperature unless otherwise specified ,Single phase ,half wave ,resistive or inductive load. For capacitive load, derate by 20%.)

	Symbols	SRF 2020CT	SRF 2030CT	SRF 2045CT	SRF 2060CT	SRF 20100CT	SRF 20150CT	SRF 20200CT	Units
Maximum repetitive peak reverse voltage	$V_{RRM}$	20	30	45	60	100	150	200	Volts
Maximum RMS voltage	$V_{RMS}$	14	21	32	42	70	105	140	Volts
Maximum DC blocking voltage	$V_{DC}$	20	30	45	60	100	150	200	Volts
Maximum average forward rectified current See Fig. 1	Per leg	10.0							Amps
	Total device	20.0							
Peak forward surge current 8.3ms single half sine-wave superimposed on rated load (JEDEC method)	$I_{FSM}$	200.0							Amps
Maximum instantaneous forward voltage per diode @ $I_F=10A$	$V_F$	0.60		0.75	0.85	0.90	0.95	Volts	
Maximum instantaneous reverse current at rated DC blocking voltage(Note 1)	$T_c = 25^\circ C$	200				50			$\mu A$
	$T_c = 100^\circ C$	5				-			mA
	$T_c = 125^\circ C$	-				5			
Typical thermal resistance (Note 2)	$R_{\theta JC}$	2.5							$^\circ C/W$
Operating junction temperature range	$T_J$	-65 to+150							$^\circ C$
Storage temperature range	$T_{STG}$	-65 to+150							$^\circ C$

- Notes: 1.Pulse test: 300 $\mu$  s pulse width,1% duty cycle  
2.Thermal resistance from junction to case

# RATINGS AND CHARACTERISTIC CURVES SRF2020CT THRU SRF20200CT

FIG.1-FORWARD CURRENT DERATING CURVE

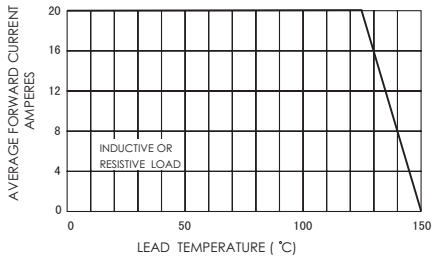


FIG.2-MAXIMUM NON-REPETITIVE PEAK FORWARD SURGE CURRENT

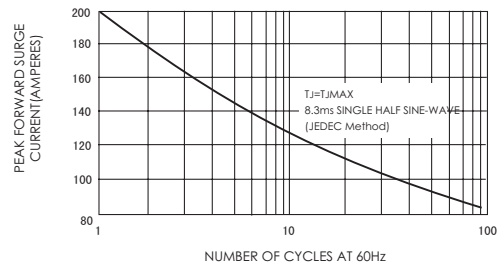


FIG.3-TYPICAL INSTANTANEOUS FORWARD CHARACTERISTICS

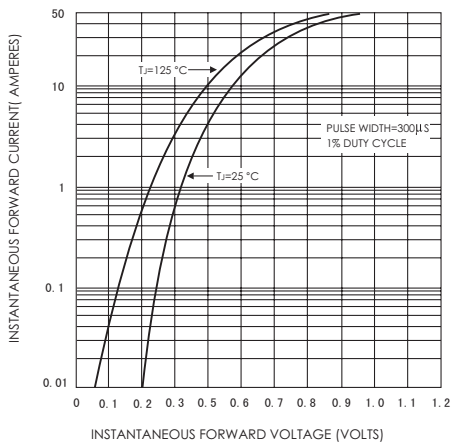


FIG.4-TYPICAL REVERSE CHARACTERISTICS

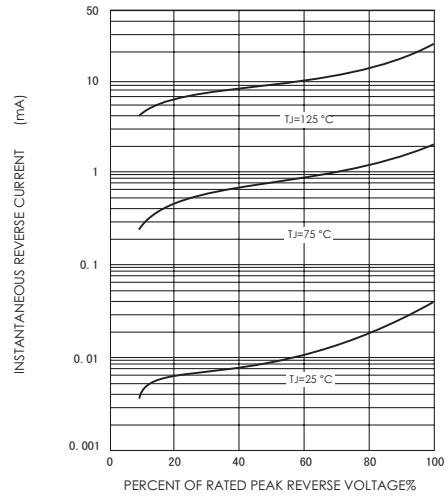


FIG.5-TYPICAL JUNCTION CAPACITANCE

