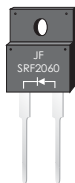
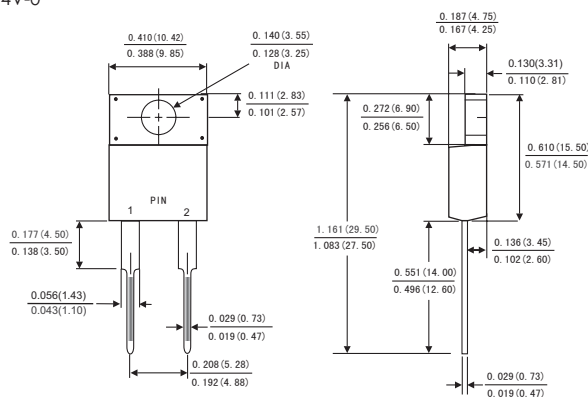


## FEATURES

- Plastic package has Underwriters Laboratory Flammability Classification 94V-0
- Metal silicon junction ,majority carrier conduction
- Guard ring for overvoltage protection
- Low power loss ,high efficiency
- High current capability ,Low forward voltage drop
- High surge capability
- For use in low voltage ,high frequency inverters, free wheeling ,and polarity protection applications
- Dual rectifier construction
- High temperature soldering guaranteed:260°C/10 seconds,, 0.25"(6.35mm)from case
- Component in accordance to RoHS 2011/65/EU



## ITO-220AC



## MECHANICAL DATA

- Case: JEDEC ITO-220AC molded plastic body
- Terminals: Lead solderable per MIL-STD-750,method 2026
- Polarity: As marked
- Mounting Position: Any

Dimensions in inches and (millimeters)

## MAXIMUM RATINGS AND ELECTRICAL CHARACTERISTICS

(Ratings at 25 °C ambient temperature unless otherwise specified ,Single phase ,half wave ,resistive or inductive load. For capacitive load, derate by 20%.)

	Symbols	SRF 2020	SRF 2030	SRF 2045	SRF 2060	SRF 20100	SRF 20150	SRF 20200	Units
Maximum repetitive peak reverse voltage	V <sub>RRM</sub>	20	30	45	60	100	150	200	Volts
Maximum RMS voltage	V <sub>RMS</sub>	14	21	32	42	70	105	140	Volts
Maximum DC blocking voltage	V <sub>DC</sub>	20	30	45	60	100	150	200	Volts
Maximum average forward rectified current See Fig. 1	I(AV)	20.0							Amps
Peak forward surge current 8.3ms single half sine-wave superimposed on rated load (JEDEC method)	I <sub>FSM</sub>	200.0							Amps
Maximum instantaneous forward voltage per diode @IF=10A	V <sub>F</sub>	0.60		0.75	0.85	0.90	0.95	Volts	
Maximum instantaneous reverse current at rated DC blocking voltage(Note 1)	I <sub>R</sub>	T <sub>c</sub> =25°C		200		50		μA	
		T <sub>c</sub> =100°C		5		-		mA	
		T <sub>c</sub> =125°C		-		5			
Typical thermal resistance (Note 2)	R <sub>θJC</sub>	2.5							°C/W
Operating junction temperature range	T <sub>J</sub>	-65 to+150							°C
Storage temperature range	T <sub>STG</sub>	-65 to+150							°C

- Notes:** 1.Pulse test: 300μ s pulse width,1% duty cycle  
2.Thermal resistance from junction to case

# RATINGS AND CHARACTERISTIC CURVES SRF2020 THRU SRF20200

FIG.1-FORWARD CURRENT DERATING CURVE

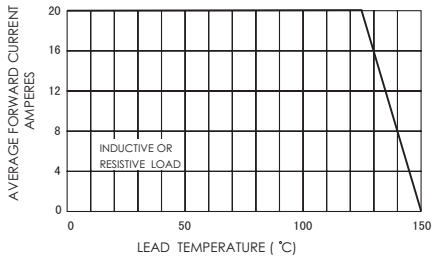


FIG.2-MAXIMUM NON-REPETITIVE PEAK FORWARD SURGE CURRENT

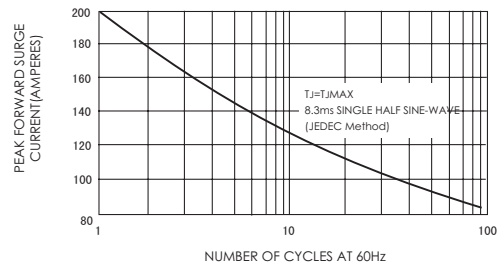


FIG.3-TYPICAL INSTANTANEOUS FORWARD CHARACTERISTICS

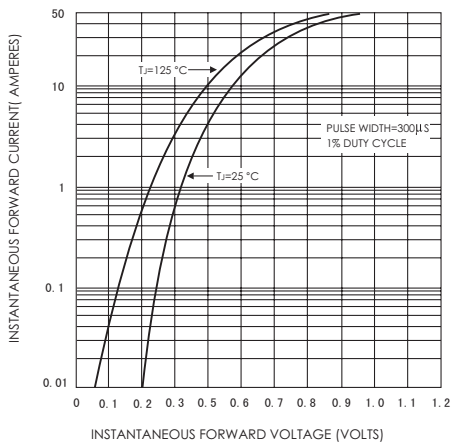


FIG.4-TYPICAL REVERSE CHARACTERISTICS

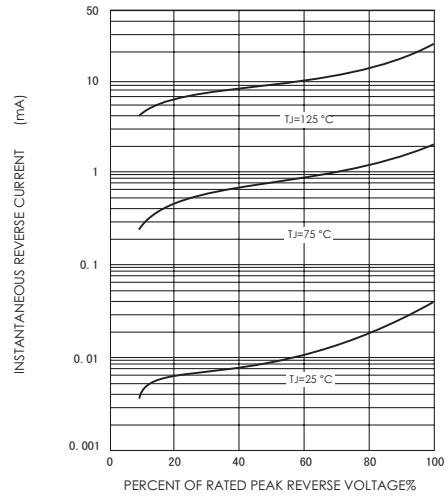


FIG.5-TYPICAL JUNCTION CAPACITANCE

