

**SAW Filter 345.0MHz**  
**Part No: MP07234**

**Model: TA1515A**  
**Rev No: 2**

**A. MAXIMUM RATING:**

Electrostatic Sensitive Device (ESD)

1. Input Power Level: 10dBm
2. DC Voltage: 3V
3. Operating Temperature: -40°C to +85°C
4. Storage Temperature: -40°C to +85°C

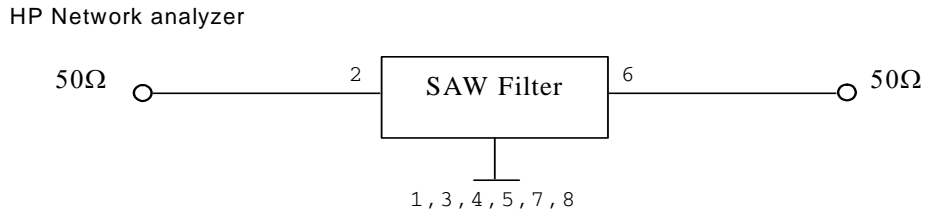
**B. ELECTRICAL CHARACTERISTICS:**

Item	Unit	Min.	Typ.	Max.
Center frequency Fc	MHz	-	345	-
Insertion Loss (344.6 ~ 345.4MHz) IL	dB	-	2.3	3.3
Amplitude ripple (344.6 ~ 345.4MHz)	dB	-	0.4	1.3
Attenuation (Reference level from 0)				
10 ~ 320MHz	dB	50	60	-
320 ~ 325MHz	dB	50	55	
325 ~ 333.5MHz	dB	35	40	
333.5 ~ 335MHz	dB	50	55	
335 ~ 337MHz	dB	40	45	
354 ~ 362MHz	dB	25	30	-
362 ~ 370MHz	dB	38	42	-
370 ~ 700MHz	dB	50	55	-
700 ~ 1000MHz	dB	32	42	-
Temperature Coefficient of Frequency	ppm/°C	-	-30	-

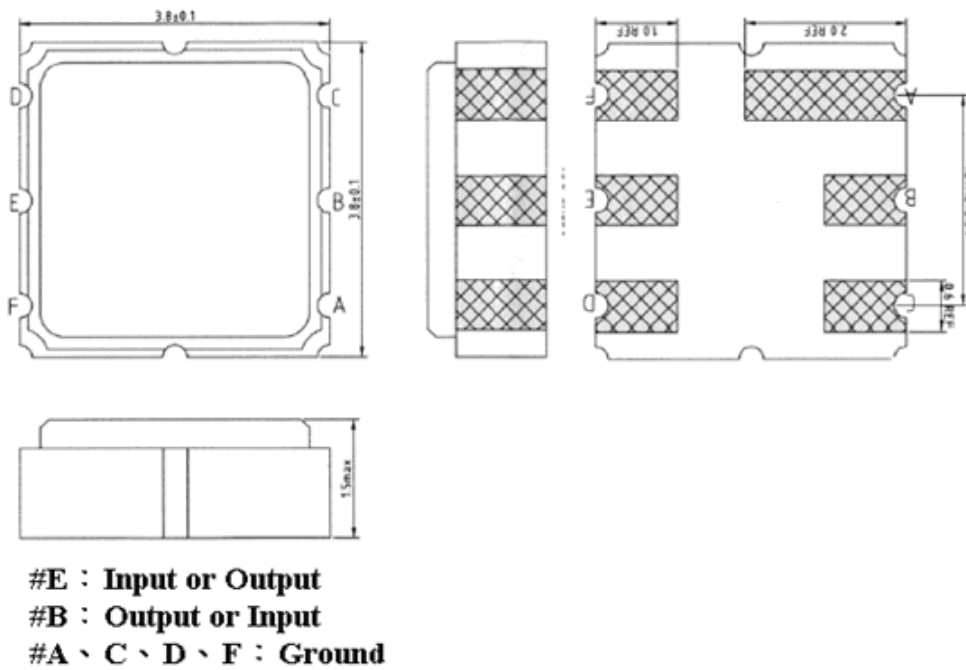
**SAW Filter 345.0MHz**  
**Part No: MP07234**

**Model: TA1515A**  
**Rev No: 2**

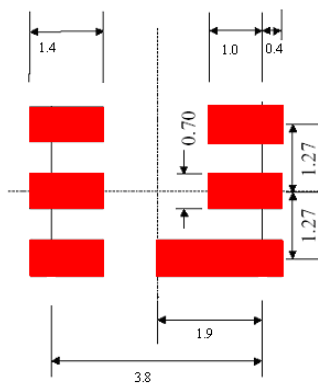
**C. MEASUREMENT CIRCUIT:**



**D. OUTLINE DRAWING:**



**E. PCB FOOTPRINT:**

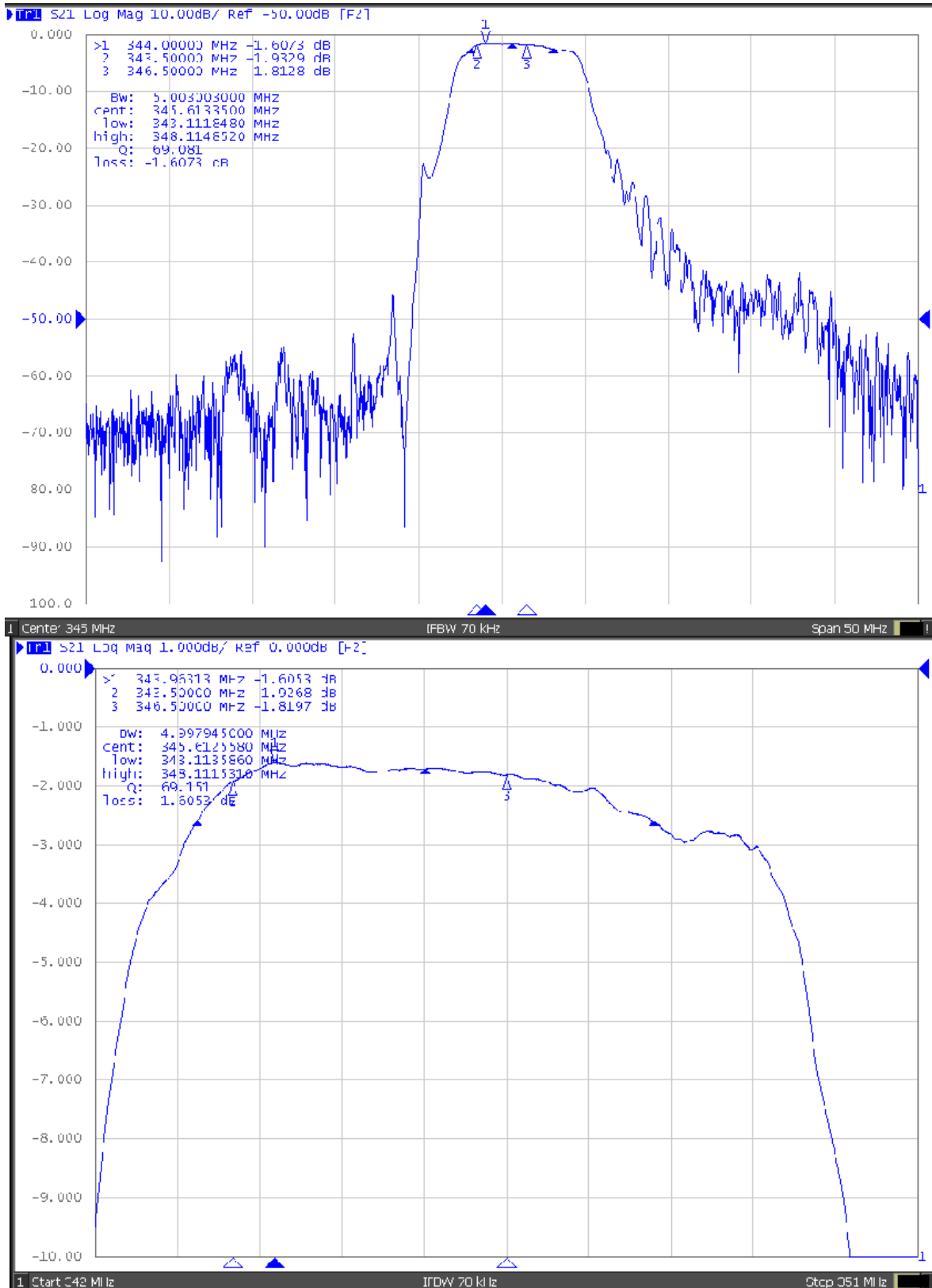


**SAW Filter 345.0MHz**  
**Part No: MP07234**

**Model: TA1515A**  
**Rev No: 2**

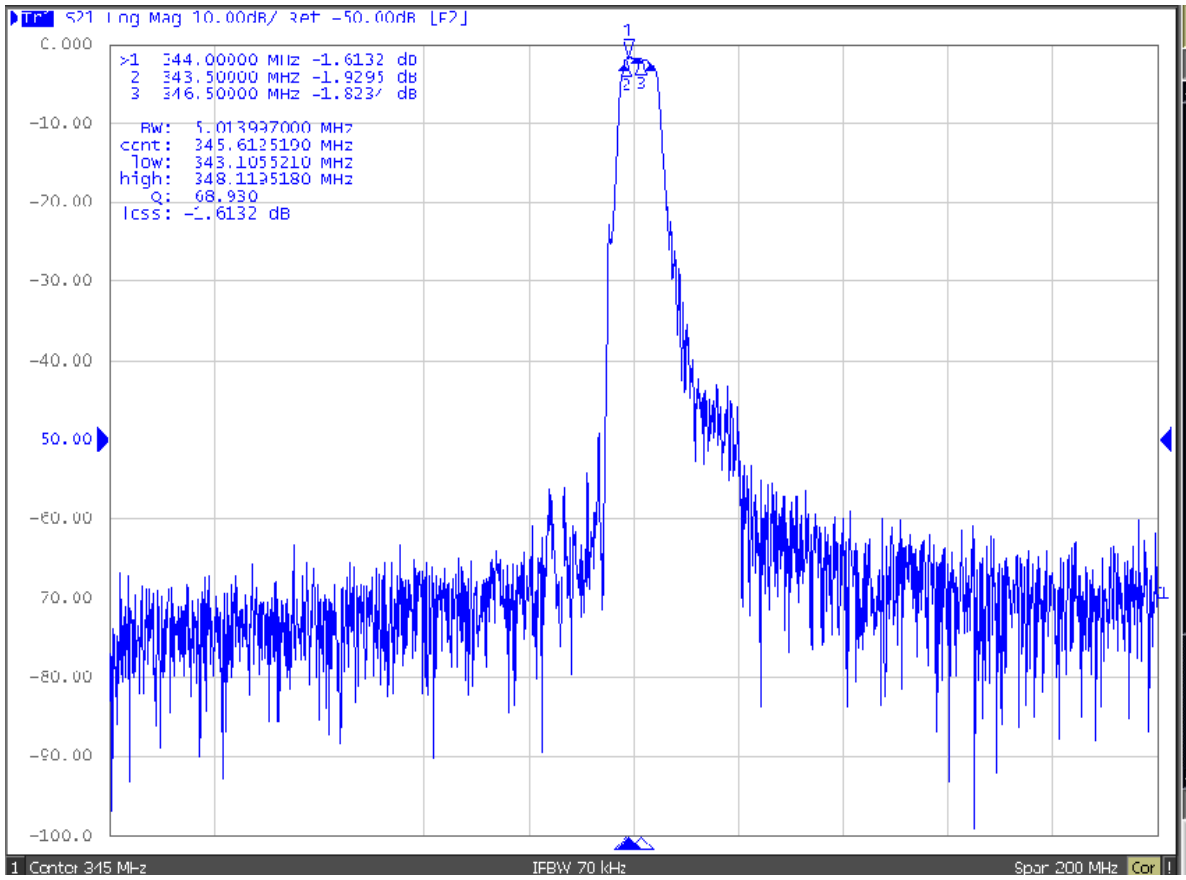
**F. FREQUENCY CHARACTERISTICS:**

**1. S21 Measurement:**



**SAW Filter 345.0MHz**  
**Part No: MP07234**

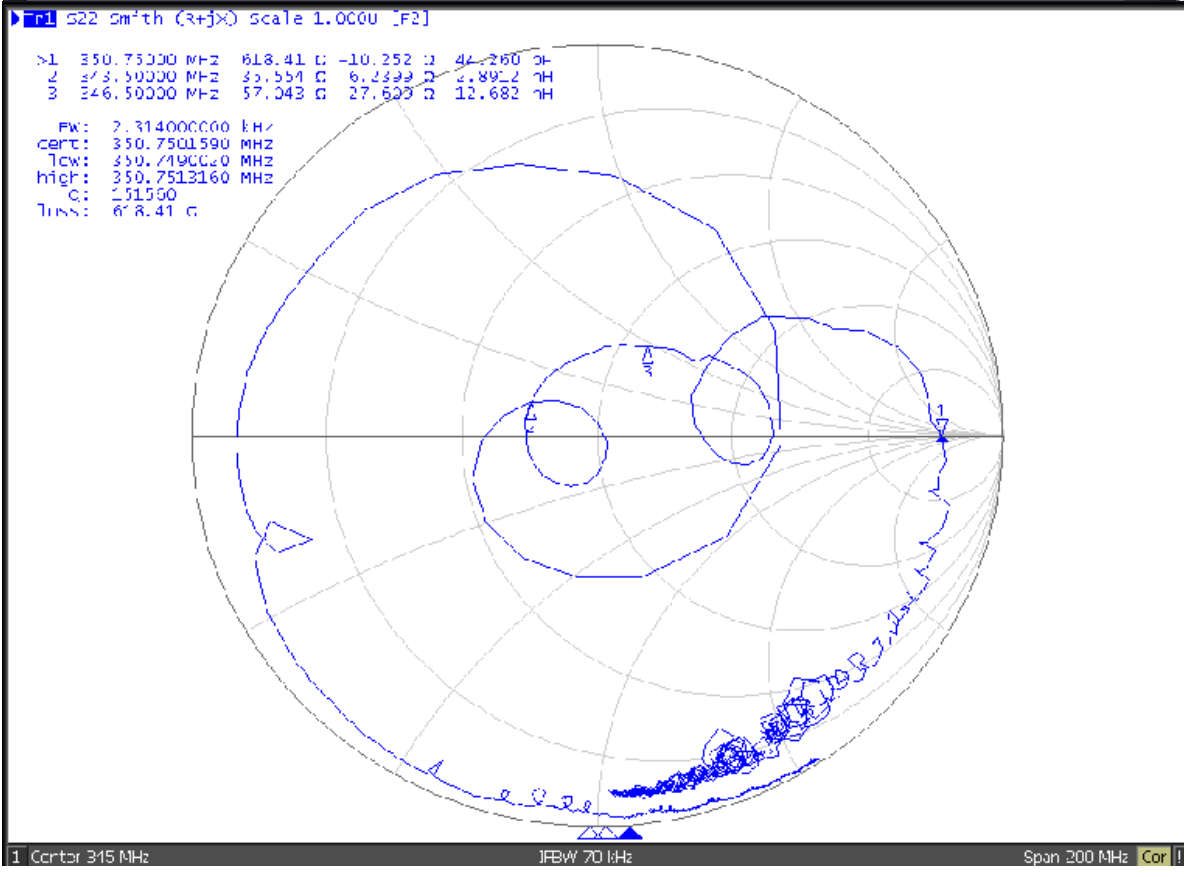
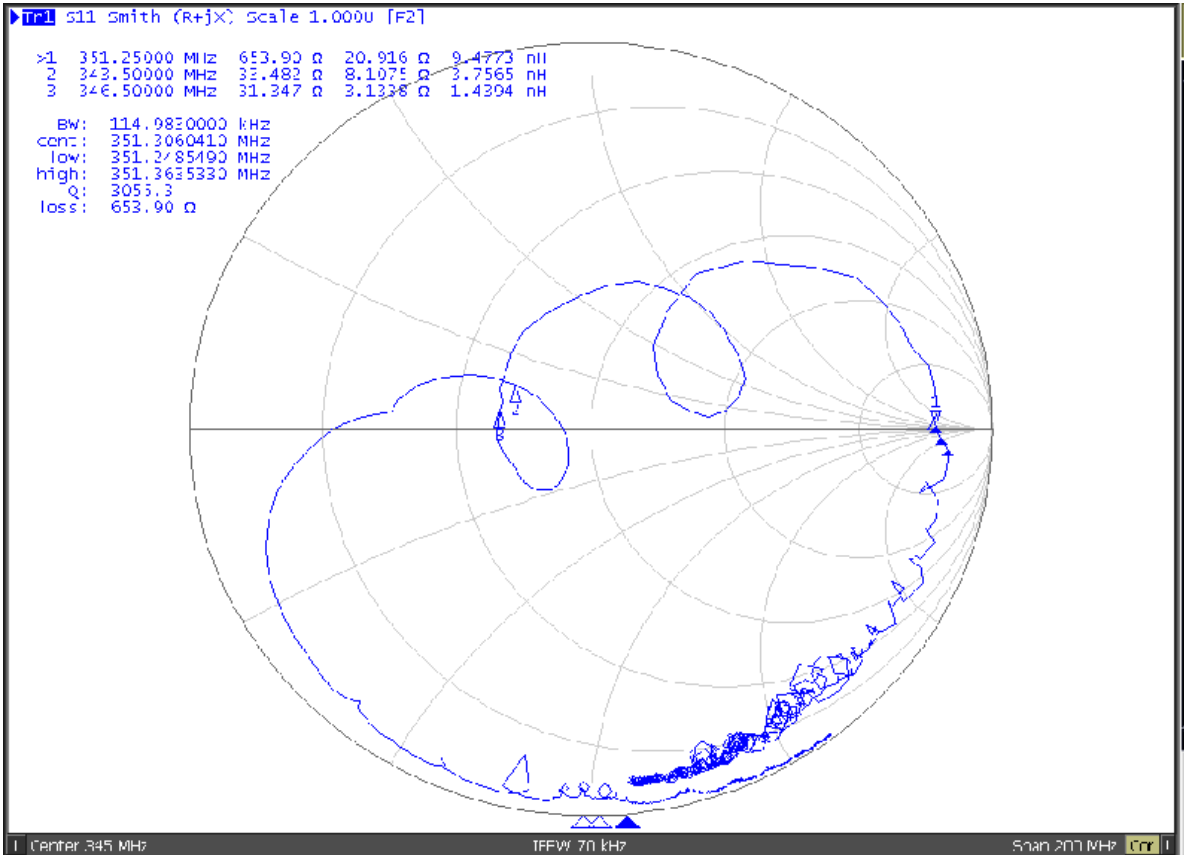
**Model: TA1515A**  
**Rev No: 2**



**SAW Filter 345.0MHz**  
**Part No: MP07234**

**Model: TA1515A**  
**Rev No: 2**

2. S11/S22 Measurement:

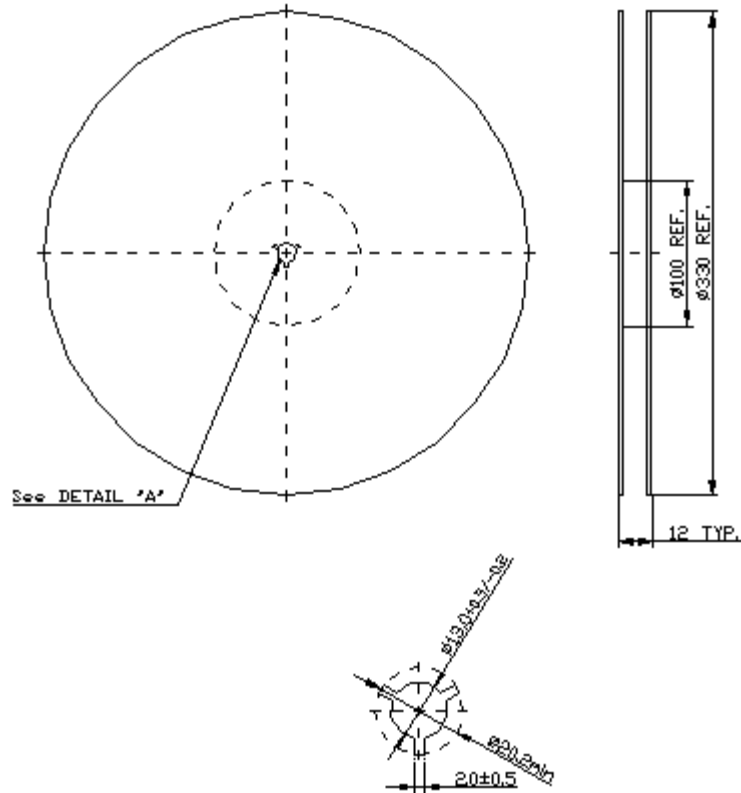


**SAW Filter 345.0MHz**  
**Part No: MP07234**

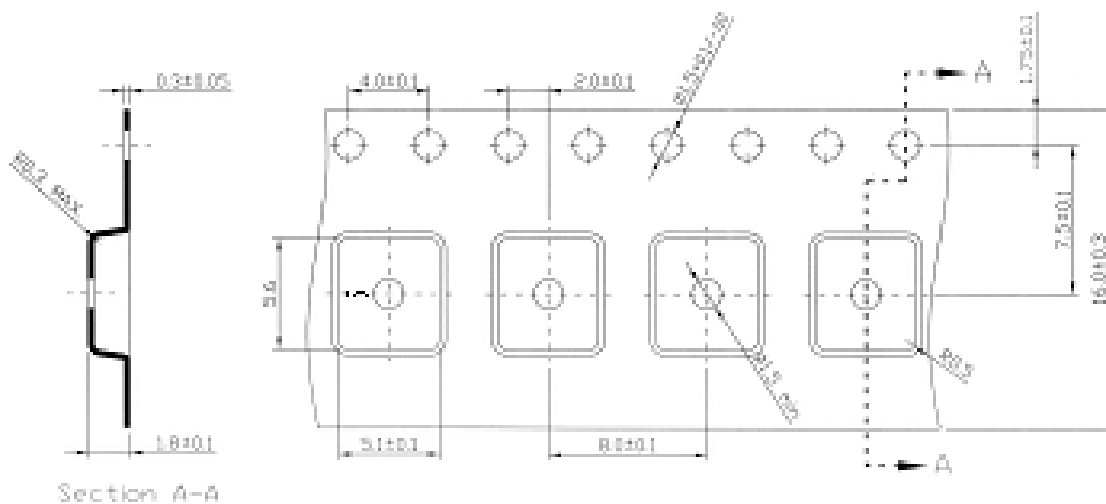
**Model: TA1515A**  
**Rev No: 2**

**G. PACKING:**

1. Reel Dimension



2. Tape Dimension



Direction of Feed



**SAW Filter 345.0MHz**  
**Part No: MP07234**

**Model: TA1515A**  
**Rev No: 2**

**H. RECOMMENDED REFLOW PROFILE:**

