

45

4510

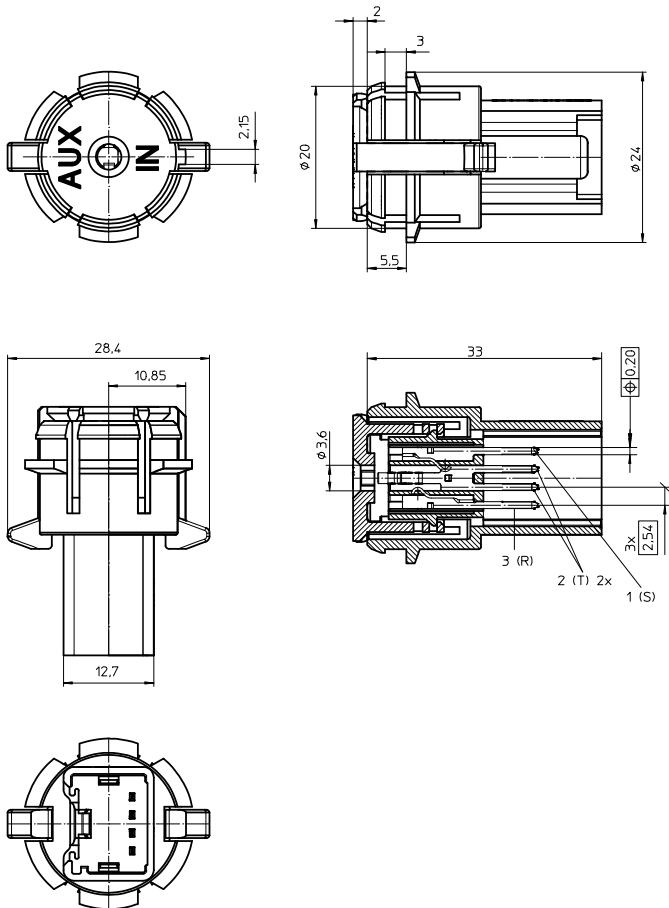
Multimedia interfaces for infotainment packages



Aux-in interface according to automotive standard requirements (USCAR), with jack sockets 3.5 mm, stereo, design and fixing according to customer s requirements

State: Active

45 4510



Environmental conditions

Temperature range -40 °C/+85 °C

Materials

Insulating body PBT
Contact spring Cu alloy, finished

Mechanical data

Mating cycles 20000
Further data vehicle side interface on request

Electrical data (at T_{amb} 20 °C)

Rated current ≤ 2 A
Rated voltage ≤ 500 V DC

Associated products

Counterparts
 ☞ 1532 07 ☞ KLS 40 ☞ KLS 44
 ☞ WKLS 40