

All Dimensions are in mm

AB Connectors Ltd. This document and the information contained herein may not be copied, used or disclosed, in whole or in part, except with the prior written permission of AB CONNECTORS LTD. or if this document has been produced under a contract with another party as expressly authorised under that contract. It is supplied without liability for errors or omissions.

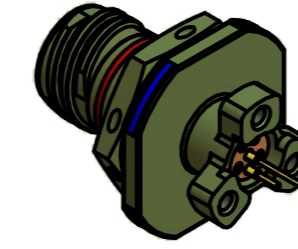
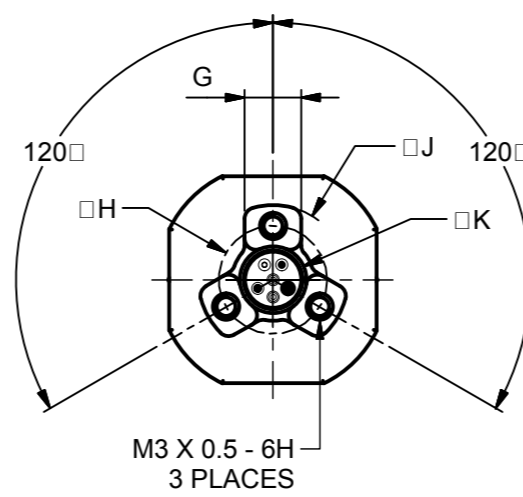
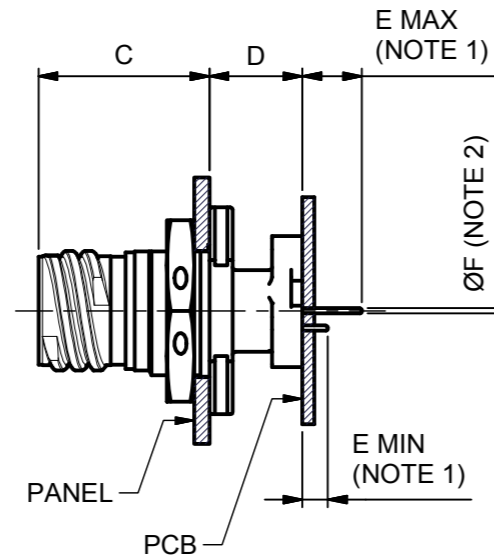
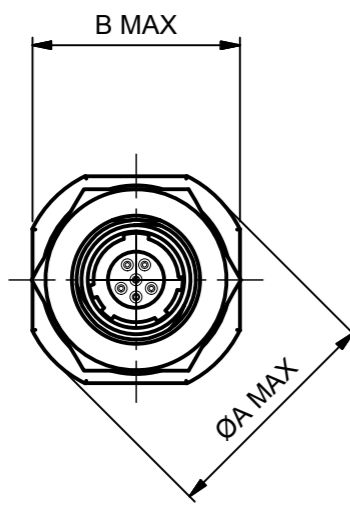
Issued By	Date	Issue	PROJECTION	ABAC.CDS.0009.
AG	18/04/2011	B		

DRAWING FOR QUOTATION PURPOSES ONLY. NOT TO BE WORKED TO.

DESCRIPTION OF LAST CHANGE  
UPDATED DESCRIPTION TO JAM NUT MOUNT

ISSUE: A  
BY: AG  
RN: N/A  
DATE: 26/03/2011

ISSUE: B  
BY: AG  
RN: N/A  
DATE: 18/04/2011



EXAMPLE PART NUMBER: **ABAC 15 W 17 35 S N M09**

PRODUCT SERIES \_\_\_\_\_

SHELL STYLE \_\_\_\_\_

FINISH (TABLE 2) \_\_\_\_\_

SHELL SIZE (TABLE 1) \_\_\_\_\_

INSERT ARRANGEMENT \_\_\_\_\_

CONTACT TYPE \_\_\_\_\_  
P = PIN CONTACTS  
S = SOCKET CONTACTS

ORIENTATION \_\_\_\_\_

MOD CODE (TABLE 3) \_\_\_\_\_

TABLE 1A: CONNECTOR DIMENSIONS (SIZE 9 & 11)

SHELL SIZE	□A MAX	B MAX	C	D	E MIN	E MAX	G	□H	□J	□K
9	30.50	27.40	22.50 - 22.60	12.20 - 12.30	2.41	7.86	7.36 - 7.46	14.3	19.70 - 19.80	8.8
11	35.20	32.20	22.50 - 22.60	12.20 - 12.30	2.41	7.86	7.36 - 7.46	18.1	23.50 - 23.60	12.6

- NOTES:
1. DIMENSION COVERS RANGE OF TYPICAL CATALOGUE ITEMS, CONSULT FACTORY FOR CUSTOM REQUIREMENTS.
  2. REFER TO TABLE 3 FOR STOCKED CONTACT TAIL DIMENSIONS.
  3. CONSULT FACTORY FOR CUSTOM PCB INTERFACE REQUIREMENTS.
  4. REFER TO CATALOGUE OR MIL-DTL-38999 FOR PANEL CUT-OUT DETAILS.

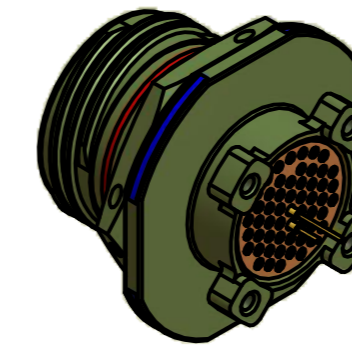
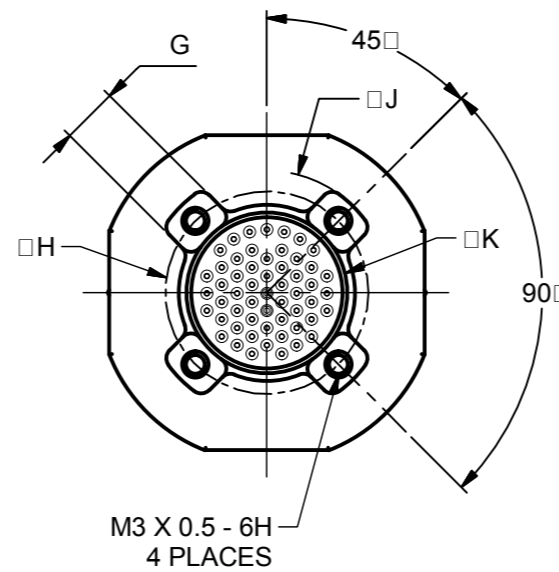
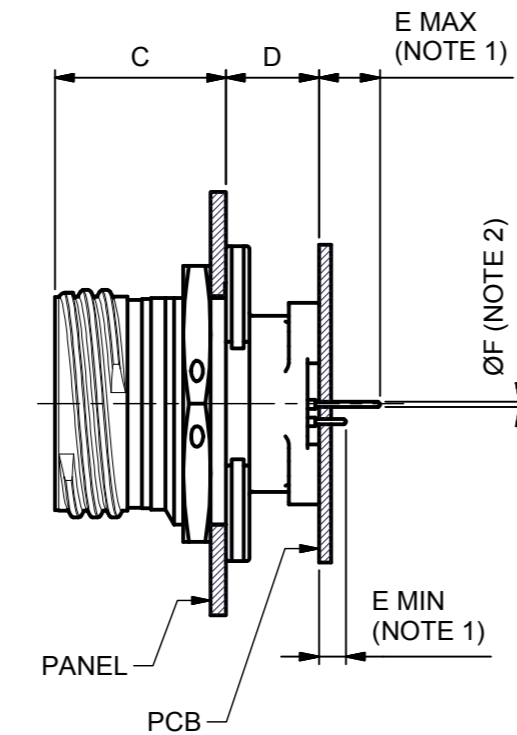
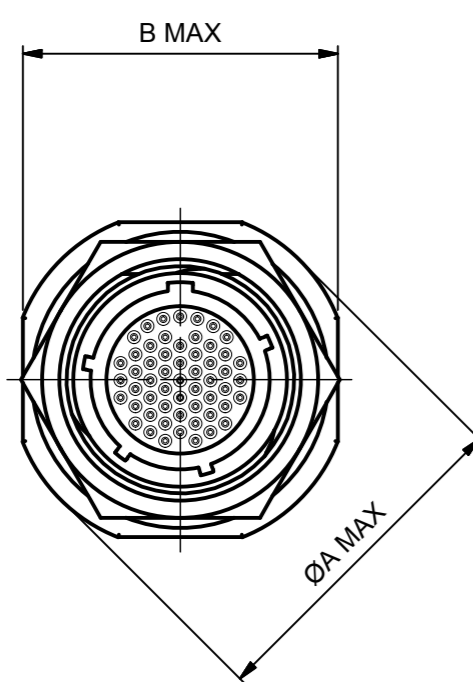


TABLE 2: FINISH

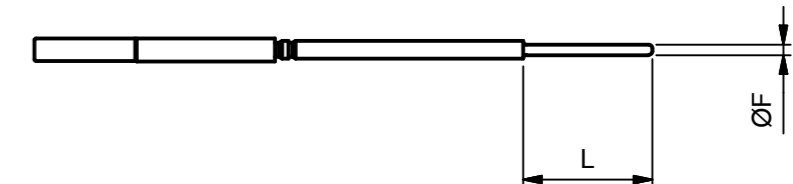
REF	FINISH DESCRIPTION
QB	ZINC COBALT BLACK PASSIVATE
W	OLIVE DRAB CADMIUM
Q	ZINC COBALT GREEN PASSIVATE
F	ELECTROLESS NICKEL

TABLE 1B: CONNECTOR DIMENSIONS (SIZE 13 TO 25)

SHELL SIZE	□A MAX	B MAX	C	D	E MIN	E MAX	G	□H	□J	□K
13	38.40	35.30	22.50 - 22.60	12.20 - 12.30	2.41	7.86	7.36 - 7.46	20.46	25.86 - 25.96	14.96
15	41.60	38.50	22.50 - 22.60	12.20 - 12.30	2.41	7.86	7.36 - 7.46	23.52	28.92 - 29.02	18.02
17	44.80	41.70	22.50 - 22.60	12.20 - 12.30	2.41	7.86	7.36 - 7.46	26.81	32.20 - 32.30	21.3
19	49.50	46.40	22.50 - 22.60	12.20 - 12.30	2.41	7.86	7.36 - 7.46	29.36	34.76 - 34.86	23.86
21	52.70	49.60	22.50 - 22.60	12.20 - 12.30	2.41	7.86	7.36 - 7.46	32.67	38.07 - 38.17	27.17
23	55.90	52.80	22.50 - 22.60	12.20 - 12.30	2.41	7.86	7.36 - 7.46	36.05	41.45 - 41.55	30.55
25	59.00	56.00	22.50 - 22.60	12.20 - 12.30	2.41	7.86	7.36 - 7.46	39.02	44.42 - 44.52	33.52

TABLE 3: PCB CONTACTS

CONTACT SIZE	MOD CODE REF.	□F	L
22D	M03	0.70	8.50
22D	M09	0.70	4.00
22D	M10	0.50	5.10
20	M09	0.70	5.10
16	M09	1.15	5.10



GEOMETRIC TOLERANCE SYMBOLS

CHARACTERISTIC	SYM	CHARACTERISTIC	SYM
STRAIGHTNESS	—	ANGULARITY	∠
FLATNESS	▭	RUN OUT	⌒
ROUNDNESS	○	POSITION	⊕
CYLINDRICITY	⊘	CONCENTRICITY	◎
PROFILE OF A LINE	⌒	SYMMETRY	≡
PROFILE OF A SURFACE	⌒	M.M.C.	Ⓜ
PARALLELISM	//	SQUARENESS	⊥

FOR EXPLANATION OF DIMENSIONS, TOLERANCES, NOTES, ETC. SEE BS308

MATERIAL: N/A

TOLERANCES UNLESS OTHERWISE STATED  
ALL DECIMAL PLACES ± 0.1  
HOLE DIAMETERS ± 0.05  
ANGULAR ± 2'

DRAWN: AG  
DATE: 03/04/2011  
CHKD: PL

∇ = CRITICAL CHARACTERISTIC □ = SIGNIFICANT CHARACTERISTIC (SEE AB-W07-03-01 FOR DESCRIPTION) Do not scale this drawing

**ab** AB CONNECTORS LTD.  
A TT GROUP COMPANY

TITLE: JAM NUT MOUNTING RECEPTACLE WITH INTEGRAL PCB STAND OFF

FINISH: \_\_\_\_\_

PRODUCT DRAWING NUMBER: **ABAC.CDS.0009.**

FINISH CODE: \_\_\_\_\_ VARN: \_\_\_\_\_

THIS DRAWING MAY ONLY BE ALTERED IF THE PART REMAINS INTERCHANGEABLE. IF NOT, A NEW DRAWING NUMBER MUST BE TAKEN.