

DATA SHEET

WIRELESS COMPONENTS

Active Antenna

ANT1515JB27B1575A

GPS

SMD 15x15x6.5 MM



FEATURES

- High radiation efficiency
- Reflow Process compatible
- RoHS compliant

APPLICATIONS

- Navigation device
- Telematics box
- Fleet management

ORDERING INFORMATION

All part numbers are identified by the series, packing type, material, size, antenna type, working frequency and packing quantity.

PART NUMBER

ANT 1515 J B27 B 1575A
 (1) (2) (3) (4) (5) (6)

(1) PRODUCT

ANT = Antenna products

(2) SIZE

1515 = 15 × 15 mm

(3) ANTENNA TYPE

J = Integrated Antenna

(4) SERIAL NO.

B27

(5) PACKING STYLE

B = Plastic Bag

(6) WORKING FREQUENCY

1575 = 1.575 GHz

PHYCOMP CTC

CAN4313323271581B

I2NC

431332327158

SPECIFICATION
Ceramic Patch Anyenna

| DESCRIPTION | VALUE |
|------------------|----------------------------------|
| Dimension | 15×15×6.5 mm ³ |
| Centre Frequency | 1575± 2 MHz |
| Bandwidth | 19.0 MHz (Typ.) |
| Gain | -3.5 dBic (Typ.) |
| VSWR | 2.0 Max. |
| Polarization | Right Hand Circular Polarization |

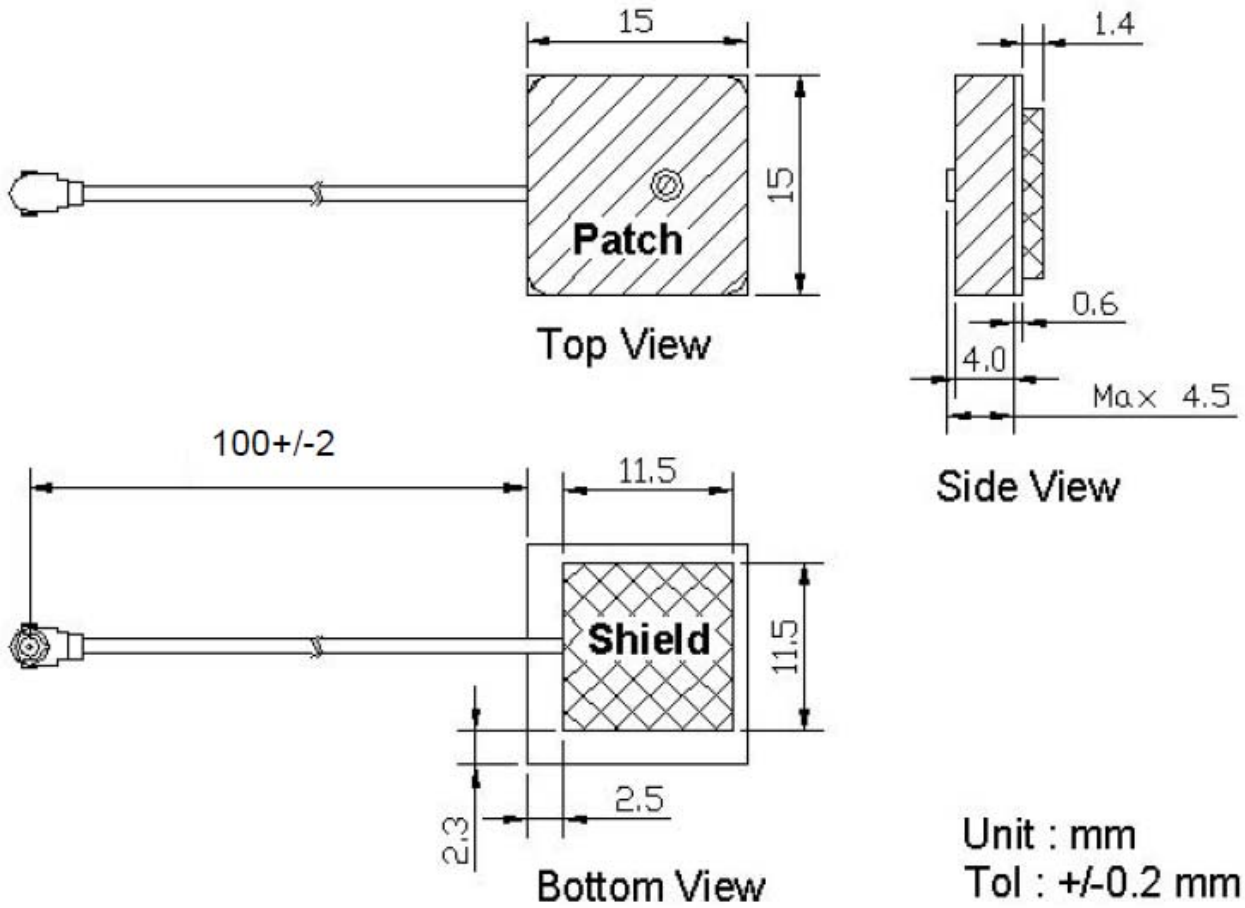
LNA

| DESCRIPTION | VALUE |
|---|------------------------|
| Centre Frequency | 1575 ± 1.023 MHz |
| Gain | 20.5 ± 1 dB |
| Output VSWR | 2.0 (Max.) |
| Noise Figure | 1.85 dB (Typ.) |
| SAW Filter (Out of Band Attenuation) | 50dB min 0.15 ~ 960MHz |
| | 23dB min 1475~1535MHz |
| | 30dB min 1627~1710MHz |
| | 21dB min 1750~1800MHz |
| | 22dB min 1850~1990MHz |
| Supply Voltage | 3.0 ± 0.3V |
| Current Consumption | 3.6 mA (Typ.) |
| Output Impedance | 50Ω |
| Operating Temperature | -30 ~ +85 °C |
| Humidity | < 95% |
| Storage Temperature | -40 ~ +125 °C |

NOTE

1. Based on 15×15 mm² ground plane (with customer's housing)
2. Centre frequency will be offset to working frequency while changes of customer's housing and ground plane.
3. Please contact local sales if you need customized design to gain optimum antenna performance.

MECHANICAL DATA



| | |
|----------------|--|
| Length | 15.0 +/- 0.2 mm |
| Width | 15.0 +/- 0.2 mm |
| Thickness | 6.5 ~ 6.8 mm |
| Cable | Diameter= 1.13 mm ; Length= 100 mm +/-2 mm ; Black |
| Connector | I-PEX Connector 20278-112R-13 |
| Shielding Case | 11.5 × 11.5 × 1.4 mm ³ |

REVISION HISTORYREVISION DATE CHANGE NOTIFICATION DESCRIPTION

| | | | |
|-----------|---------------|---|---|
| Version 0 | Apr. 11, 2013 | - | - New data sheet for Active antenna, SMD Feed size 15×15×6.5 mm |
|-----------|---------------|---|---|
