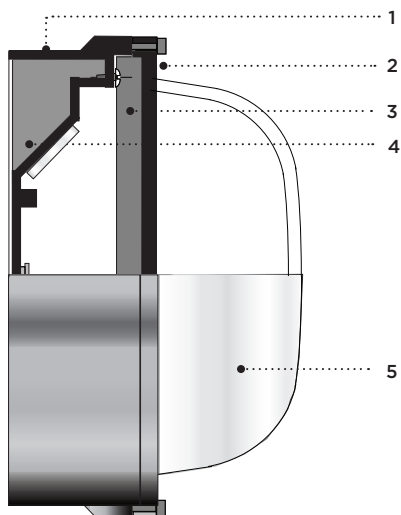


TYPE: _____ QUANTITY: _____ PROJECT: _____

CATALOG NUMBER:

FIXTURE WATTAGE VOLTAGE FINISH OPTION OPTION OPTION OPTION



- 1- Cast aluminum enclosed driver housing.
- 2- Cast aluminum lens ring.
- 3- Silicone gasket with memory retention.
- 4- Heat dissipating fins with removable LED platform.
- 5- Borosilicate frosted glass diffuser with internal concentric prismatic pattern.

All stainless steel hardware.

NT145



NT150



NT155



MATERIALS

Nautilux is made of corrosion resistant 356 aluminum alloy with a copper (CU) content of less than 0.1%.

LED platform is easily removable and secured with a heat dissipating plate for optimal light performance.

LED light engine is positioned to increase down lighting while maintaining a general diffused uniform light over the glass diffuser.

ELECTRICAL

LED

DRIVER Standard driver is 0-10V dimming-ready (dims to 10%) with: 120-277 multi-volt compatibility (50-60Hz), minimum operating temperature of -30°C/-22°F, output over voltage protection, output over current protection, output short circuit protection with auto-recovery, and over temperature protection (110°C).

LED Standard 4000K LED platform included. Optional 3000K and 3500K available. Removable modular LED platform.

LIFE

51,000hrs $L_{77}B_{50}$ (based on IESNA TM-21 Test Method and LM-80 data).

68,000hrs $L_{70}B_{50}$ (calculated projection from LM-80 data).

FINISH

Five-stage preparation process includes preheating of cast aluminum parts for air extraction. Polyester powder coating is applied through an electrostatic process, and oven cured for long term finish.

MOUNTING

Maximum weight: 10lbs (4.5kg)

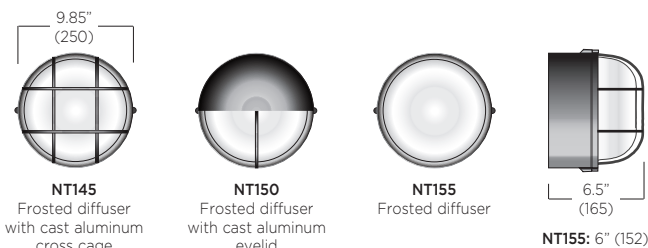
Nautilux is designed as a wall surface mount luminaire. Mounts over a standard 4" (102) octagonal electrical box with 3 1/2" (89) C/C mounting holes.

CERTIFICATION

Tested to UL1598 and CSA 22.2 #250. ETL listed wet location.

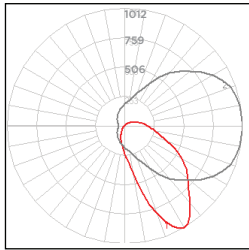
Photometry tested per IES LM-79-08 / IES LM80 test report.

Rated IP65.



NT145/NT150/NT155 SERIES NAUTILUX - LED

TYPICAL PHOTOMETRY SUMMARY



Descriptive Information
 NT150-L1W30r1
 Total Lms: 1604 Lumens
 Total Input Watts: 34.4 W
 Source: LED
 Efficacy: 47 Lumens/Watt
 BUG: B0-U3-G1
 CCT/CRI: 4000K/80
 Maximum Candela: 1012 @ 30 deg V

Please visit our web site www.luminis.com for complete I.E.S. formatted download data.

LUMINAIRE SELECTION

MODEL#	LED LIGHT SELECTION	VOLTAGE ¹	FINISH																
<input type="checkbox"/> NT145 <input type="checkbox"/> NT150 <input type="checkbox"/> NT155	<table border="1"> <thead> <tr> <th>SUFFIX</th> <th>INPUT WATTS</th> <th>DELIVERED LUMENS</th> <th>CRI</th> <th>CCT K</th> </tr> </thead> <tbody> <tr> <td><input type="checkbox"/> L1W12</td> <td>13W</td> <td>646</td> <td rowspan="3">80</td> <td rowspan="3">4000K</td> </tr> <tr> <td><input type="checkbox"/> L1W18</td> <td>23W</td> <td>1114</td> </tr> <tr> <td><input type="checkbox"/> L1W30</td> <td>34W</td> <td>1604</td> </tr> </tbody> </table>	SUFFIX	INPUT WATTS	DELIVERED LUMENS	CRI	CCT K	<input type="checkbox"/> L1W12	13W	646	80	4000K	<input type="checkbox"/> L1W18	23W	1114	<input type="checkbox"/> L1W30	34W	1604	<input type="checkbox"/> 120V <input type="checkbox"/> 277V	STANDARD COLORS <input type="checkbox"/> WHT Snow white <input type="checkbox"/> BKT Jet black <input type="checkbox"/> BZT Bronze <input type="checkbox"/> MST Matte silver <input type="checkbox"/> GRT Titanium gray <input type="checkbox"/> DGT Gun metal <input type="checkbox"/> CHT Champagne OPTIONAL COLORS <input type="checkbox"/> CS Custom color <input type="checkbox"/> RAL RAL# color (Refer to color chart)
	SUFFIX	INPUT WATTS	DELIVERED LUMENS	CRI	CCT K														
	<input type="checkbox"/> L1W12	13W	646	80	4000K														
<input type="checkbox"/> L1W18	23W	1114																	
<input type="checkbox"/> L1W30	34W	1604																	

OPTIONS

ELECTRICAL

- FS Fuse²
- PH Photocell²

Alternate CCT K LED

- K3 3000K CCT LED
- K35 3500K CCT LED

ACCESSORIES

- SWK Surface mount connection box
(Single luminaire connection. 1" extension)

NOTES

- 1- If no voltage is specified, luminaires are factory prewired by default for 120V. For other voltages, please specify with catalog number, or consult factory.
- 2- Fuse and photocell options are normally installed with poles when specified with Luminis luminaires (except for other mounting types).

LUMINIS®

LUMINIS | Toll free: 866.586.4647 Fax: 514.683.8872
 260 Labrosse, Pointe-Claire (QC) Canada H9R 5L5

LUMINIS.COM

Luminaires may be altered for design improvement or discontinued without prior notice.

Jan 2018 Rev 0